

CK10409

IF IT IS FOUND DESIRABLE TO CHANGE ANY TOLERANCE OR OTHER DETAIL SPECIFIED ON THIS DRAWING NOTIFY THE PURCHASER PROMPTLY.

MAXIMUM ALLOWABLE TOLERANCES HAVE BEEN DETERMINED AND DEVIATIONS WILL BE CAUSE FOR REJECTION. REMOVE ALL BURRS AND SHARP EDGES

USED ON

PROJECT NO.

MODEL

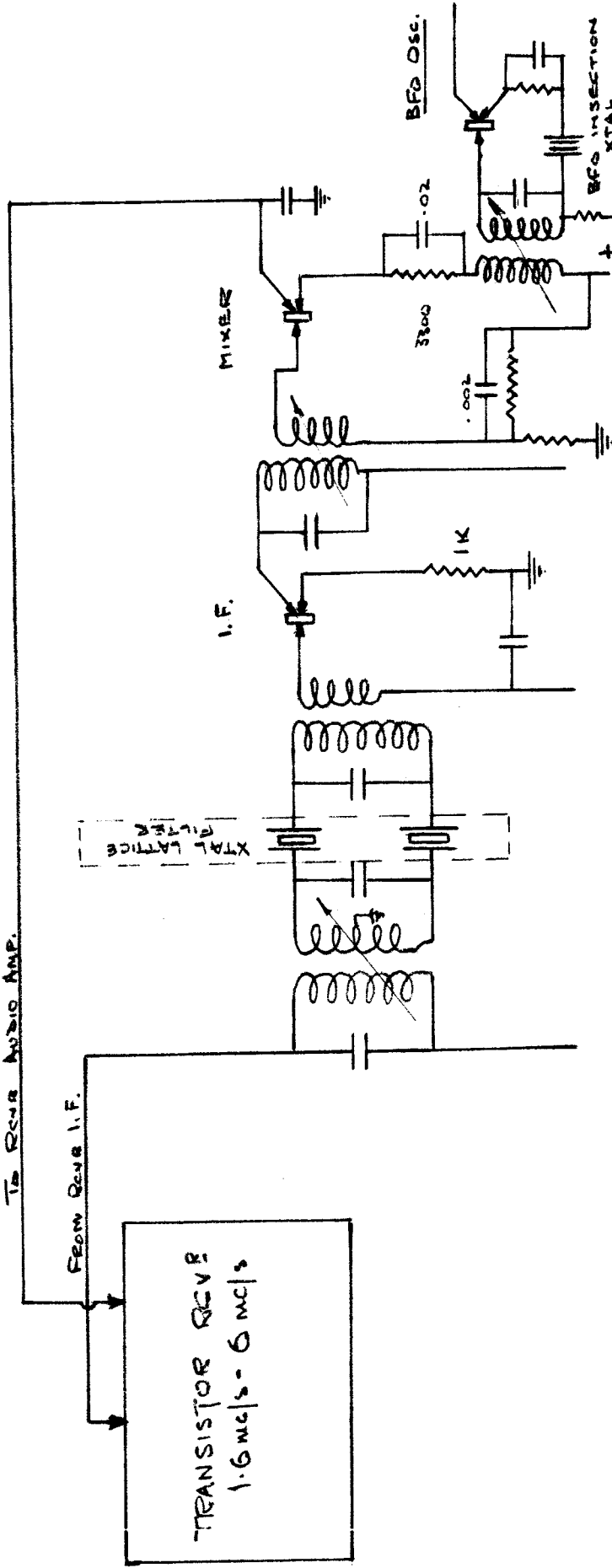
DATE

STR-1

To Rear Audio Amp.

From Rear I.F.

TRANSISTOR REVR  
1.6 Mc/s - 6 Mc/s



REFERENCE. PART 7 IRE 1958 PP. 129  
CONVENTION RECORD.  
RADIO RECEIVER MODEL SSR-1  
PART OF: MODEL STR-1

REQ. ITEM	PART NO.	DESCRIPTION	SYMBOL
		<b>TMC (Canada) LIMITED</b> OTTAWA ONTARIO	
	STOCK SIZE	SSB CONVERSION UNIT FOR TRANSISTOR RECEIVER	
	MATERIAL		
	WEIGHT PER PC.		
	TYPE & TEMPER		
	HEAT TREAT. SPEC.		
	FINISH & SPEC. NO.		CK10409
ISSUE ITEM	CHANGED FROM	DATE	CN. NO. DRAFTS
TOLERANCES		SCALE	CHECKER ENG. APP.
ALL DEC. DIM. ±			
OTHERS FRACT. DIM. ±			
ANGULAR DIM. ±			
DRILL, PUNCH, COMMERCIAL STOCK SIZES AND MANUFACTURERS TOLERANCES ARE NOT INCLUDED.			
	DRAWN	ELEC. DES. APP.	MECH. DES. APP.
	CHECKED		FINAL APPROVAL

CK 10413

USED ON

DATE  
MAY 30  
1961

ASS'Y. NO.

PROJECT NO.

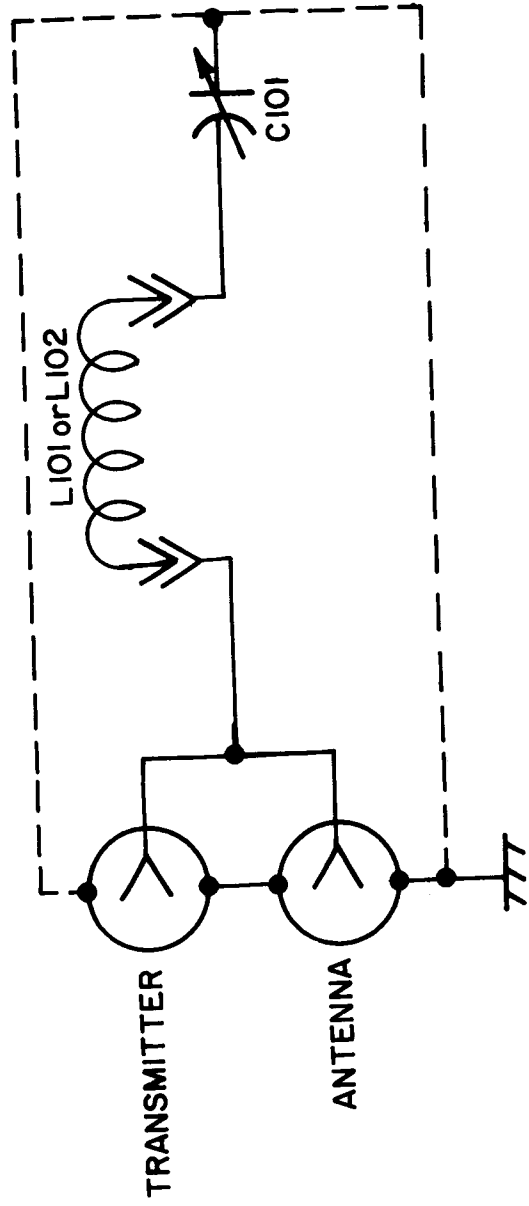
MODEL

AFU-1 E1143-P

IF IT IS FOUND DESIRABLE TO CHANGE ANY TOLERANCE OR OTHER DETAIL SPECIFIED ON THIS DRAWING NOTIFY THE PURCHASER PROMPTLY.

MAXIMUM ALLOWABLE TOLERANCES HAVE BEEN DETERMINED AND DEVIATIONS WILL BE CAUSE FOR REJECTION. REMOVE ALL BURRS AND SHARP EDGES

NOTE: FREQUENCY RANGE WITH  
L101 IS 4.4-8.3 Mc/s.  
L102 IS 8.2-15.1 Mc/s.



REQ. ITEM	PART NO.	DESCRIPTION	SYMBOL
		TMC (Canada) LIMITED OTTAWA ONTARIO	
		SCHEMATIC	
		ANTENNA FILTER UNIT	
		JPC	
		DRAWN <i>R. S.</i>	ELEC. DES. APP. <i>180/</i>
		CHECKED <i>[Signature]</i>	MECH. DES. APP.
			FINAL APPROVAL
			CK10413

STOCK SIZE	WEIGHT PER PC.	TYPE & TEMPER	HEAT TREAT. SPEC.	FINISH & SPEC. NO.			
ISSUE	ITEM	CHANGED FROM	DATE	CN. NO.	DRAFTS	CHECKER	ENG. APP.
TOLERANCES							
SCALE							
DIMENSIONS IN INCHES UNLESS OTHERWISE SPECIFIED							
DRILL, PUNCH, COMMERCIAL STOCK SIZES AND MANUFACTURERS TOLERANCES ARE NOT INCLUDED.							
ALL	DEC. DIM. ±						
OTHERS	FRAC. DIM. ±						
	ANGULAR DIM. ±						

CK 10414

IF IT IS FOUND DESIRABLE TO CHANGE ANY TOLERANCE OR OTHER DETAIL SPECIFIED ON THIS DRAWING NOTIFY THE PURCHASER PROMPTLY.

MAXIMUM ALLOWABLE TOLERANCES HAVE BEEN DETERMINED AND DEVIATIONS WILL BE CAUSE FOR REJECTION. REMOVE ALL BURRS AND SHARP EDGES

USED ON

DATE

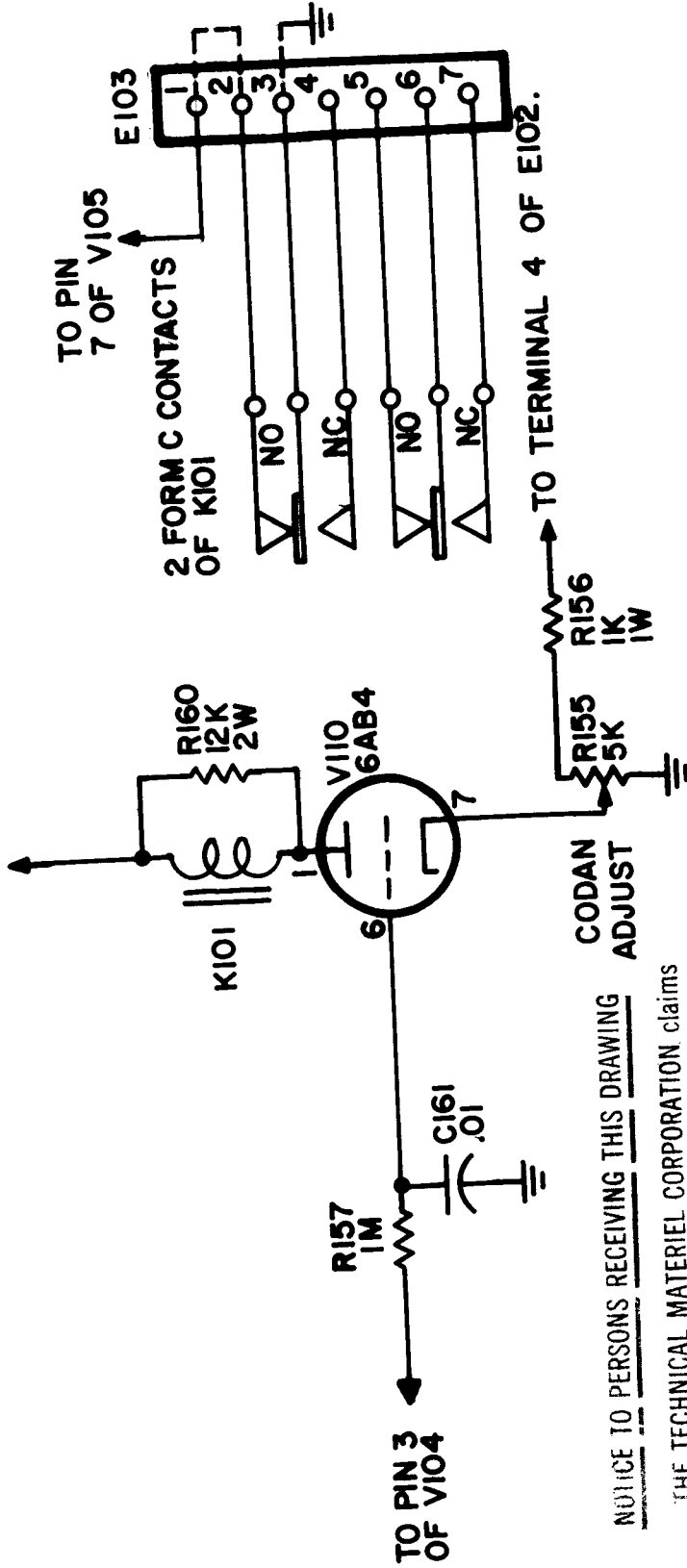
MAY.25.61

PROJECT NO.

MODEL

FFR-3 CODAN MOD. E1148-P

+250 V.



NOTICE TO PERSONS RECEIVING THIS DRAWING

THE TECHNICAL MATERIEL CORPORATION claims proprietary right in the material disclosed hereon. This drawing is issued in confidence for engineering information only and may not be reproduced or used to manufacture anything shown hereon without permission from THE TECHNICAL MATERIEL CORPORATION. This drawing is to be used for mutual assistance and is subject to return at any time.

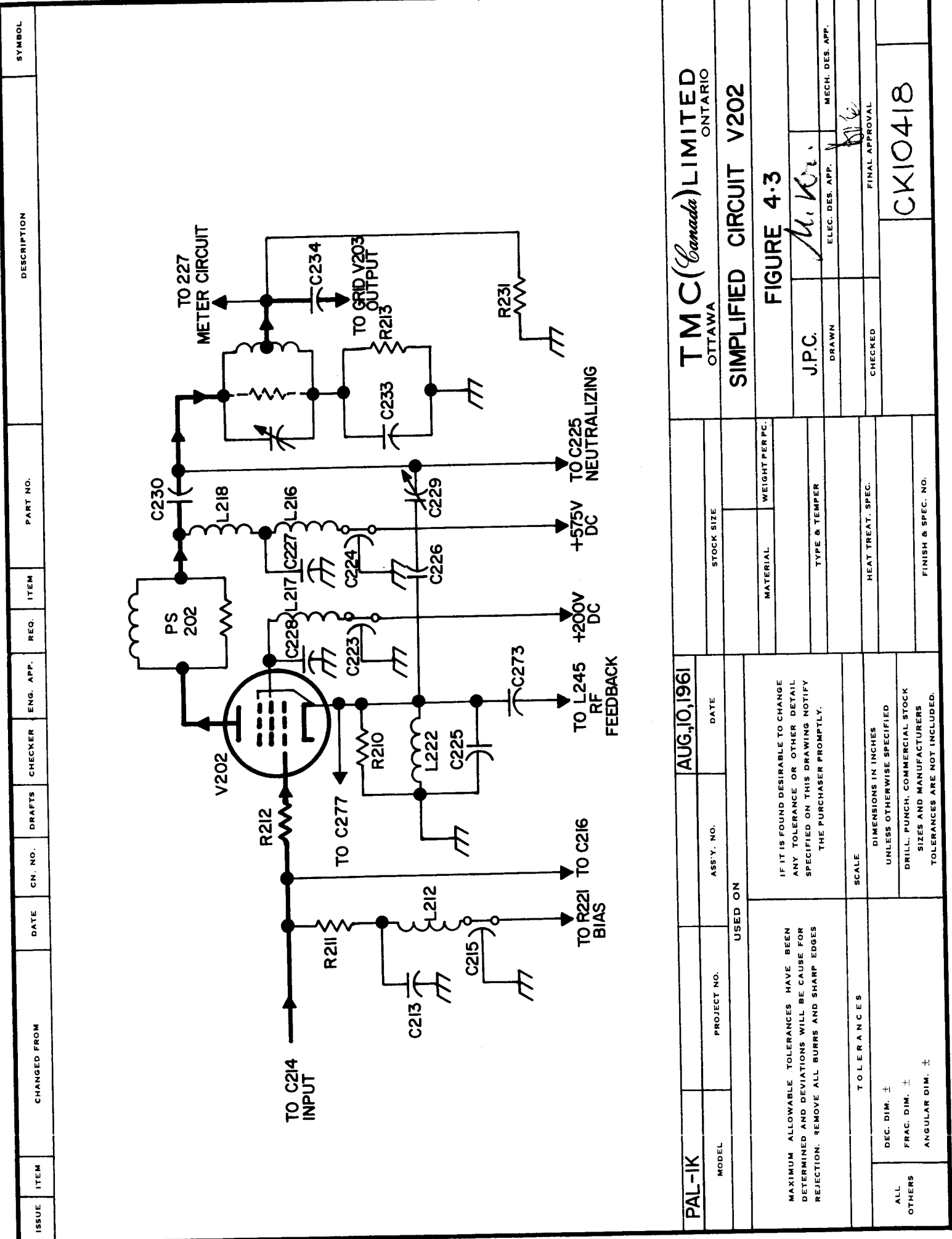
Property of

THE TECHNICAL MATERIEL CORPORATION  
MAMARONECK, NEW YORK

REQ. ITEM	PART NO.	DESCRIPTION	SYMBOL
		TMC (Canada) LIMITED OTTAWA ONTARIO	
		CIRCUIT DIAGRAM, FFR-3	
		CODAN MODIFICATION	
		JPC	
		DRAWN	
		ELEC. DES. APP.	
		MECH. DES. APP.	
		CHECKED	
		FINAL APPROVAL	
		CK 10414	

ISSUE ITEM	CHANGED FROM	DATE	CN. NO.	DRAFTS	CHECKER	ENG. APP.
SCALE						
DIMENSIONS IN INCHES UNLESS OTHERWISE SPECIFIED						
DRILL, PUNCH, COMMERCIAL STOCK SIZES AND MANUFACTURERS TOLERANCES ARE NOT INCLUDED.						
TOLERANCES						
ALL OTHERS						
DEC. DIM. ±						
FRAC. DIM. ±						
ANGULAR DIM. ±						

CK10418



ISSUE	ITEM	CHANGED FROM	DATE	CN. NO.	DRAFTS	CHECKER	ENG. APP.	REQ.	ITEM	PART NO.	DESCRIPTION	SYMBOL

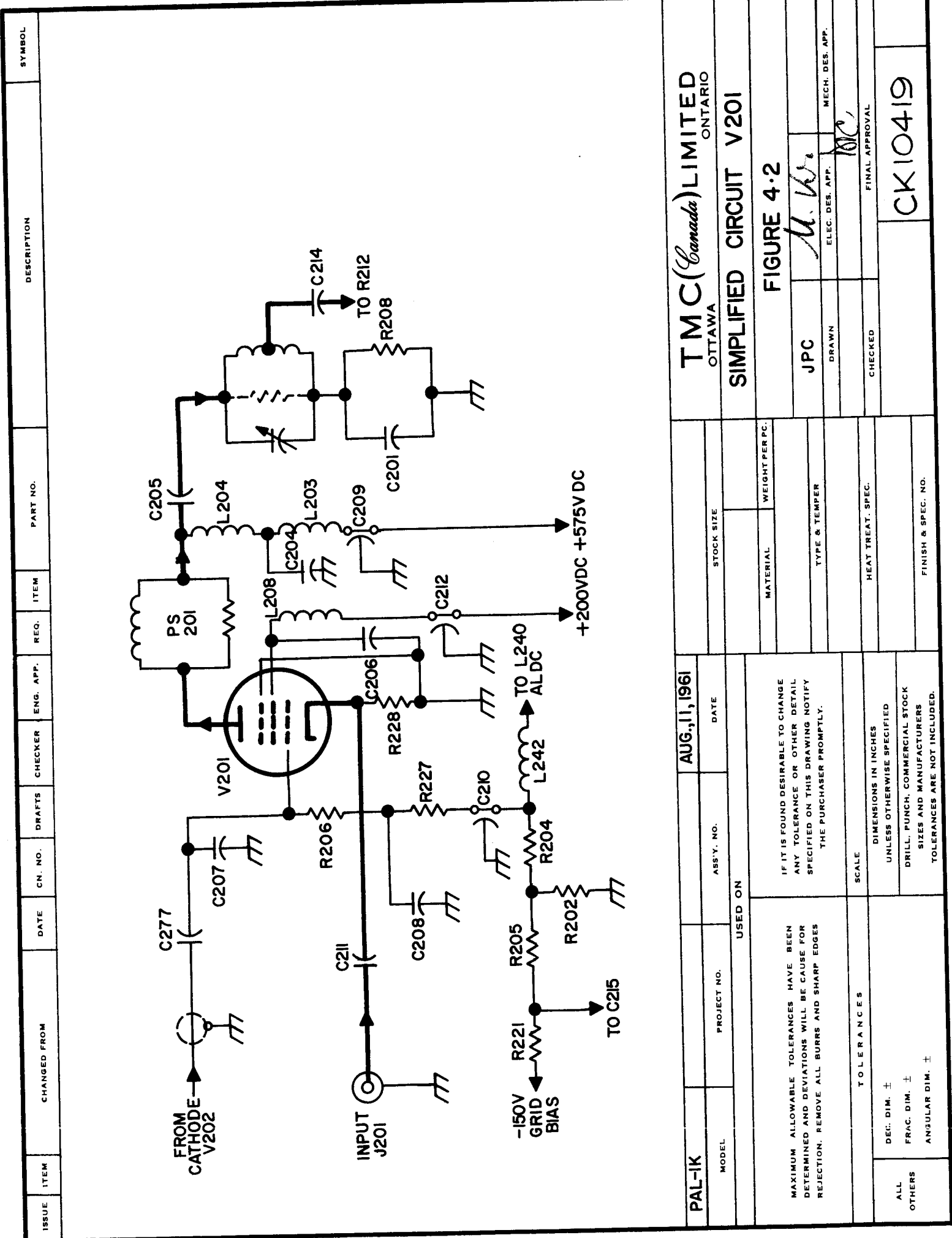
  

<b>PAL-1K</b>		<b>AUG. 10, 1961</b>	
MODEL	PROJECT NO.	ASSY. NO.	DATE
USED ON			
MAXIMUM ALLOWABLE TOLERANCES HAVE BEEN DETERMINED AND DEVIATIONS WILL BE CAUSE FOR REJECTION. REMOVE ALL BURRS AND SHARP EDGES.		IF IT IS FOUND DESIRABLE TO CHANGE ANY TOLERANCE OR OTHER DETAIL SPECIFIED ON THIS DRAWING NOTIFY THE PURCHASER PROMPTLY.	
TOLERANCES			
DEC. DIM. ±	DIMENSIONS IN INCHES		
FRAC. DIM. ±	UNLESS OTHERWISE SPECIFIED		
ANGULAR DIM. ±	DRILL, PUNCH, COMMERCIAL STOCK SIZES AND MANUFACTURERS TOLERANCES ARE NOT INCLUDED.		

<b>TMC (Canada) LIMITED</b> OTTAWA ONTARIO	
<b>SIMPLIFIED CIRCUIT V202</b>	
<b>FIGURE 4-3</b>	
J.P.C.	M.K.
DRAWN	ELEC. DES. APP.
CHECKED	MECH. DES. APP.
FINAL APPROVAL	
<b>CK10418</b>	

CK10419



TMC (Canada) LIMITED  
OTTAWA ONTARIO

SIMPLIFIED CIRCUIT V201

FIGURE 4-2

JPC

M.W.  
ELEC. DES. APP.

MECH. DES. APP.

FINAL APPROVAL

CK10419

PAL-K

AUG. 11, 1961

DATE

PROJECT NO.

ASS'Y. NO.

USED ON

STOCK SIZE

WEIGHT PER PC.

MATERIAL

TYPE & TEMPER

HEAT TREAT. SPEC.

FINISH & SPEC. NO.

IF IT IS FOUND DESIRABLE TO CHANGE ANY TOLERANCE OR OTHER DETAIL SPECIFIED ON THIS DRAWING NOTIFY THE PURCHASER PROMPTLY.

SCALE

DIMENSIONS IN INCHES UNLESS OTHERWISE SPECIFIED

DRILL, PUNCH, COMMERCIAL STOCK SIZES AND MANUFACTURERS TOLERANCES ARE NOT INCLUDED.

DEC. DIM. ±

FRAC. DIM. ±

ANGULAR DIM. ±

ALL OTHERS

CK10420

USED ON

DATE (

ASS'Y. NO.

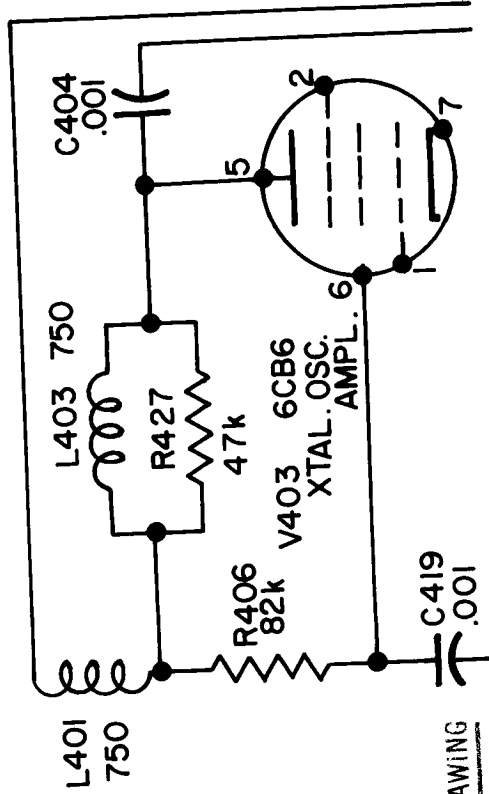
MODEL

PROJECT NO.

JAN. 5/62

IF IT IS FOUND DESIRABLE TO CHANGE ANY TOLERANCE OR OTHER DETAIL SPECIFIED ON THIS DRAWING NOTIFY THE PURCHASER PROMPTLY.

MAXIMUM ALLOWABLE TOLERANCES HAVE BEEN DETERMINED AND DEVIATIONS WILL BE CAUSE FOR REJECTION. REMOVE ALL BURRS AND SHARP EDGES



NOTICE TO PERSONS RECEIVING THIS DRAWING

THE TECHNICAL MATERIEL CORPORATION claims  
 proprietary right in the material disclosed herein, and  
 no part of this drawing or any part of the information  
 contained hereon may be shown, copied, or  
 transmitted in any form or by any means without the  
 written permission of THE TECHNICAL MATERIEL CORPORATION.  
 This drawing is the property of THE TECHNICAL MATERIEL  
 CORPORATION and is subject to recall at any time.

Property of:

THE TECHNICAL MATERIEL CORPORATION  
MAMARONECK, NEW YORK

REF: CK 383G

REQ.	ITEM	PART NO.	DESCRIPTION	SYMBOL
			<b>TMC (Canada) LIMITED</b> OTTAWA ONTARIO	
			<b>MOD. TO RTF-2 OSCILLATOR</b>	
			<b>TUBE FOR DOT. ONLY</b>	
			<b>JPC</b>	
			DRAWN	ELEC. DES. APP.
			CHECKED	MECH. DES. APP.
			FINAL APPROVAL	
				<b>CK 10420</b>

STOCK SIZE	TYPE & TEMPER.	HEAT TREAT. SPEC.	FINISH & SPEC. NO.

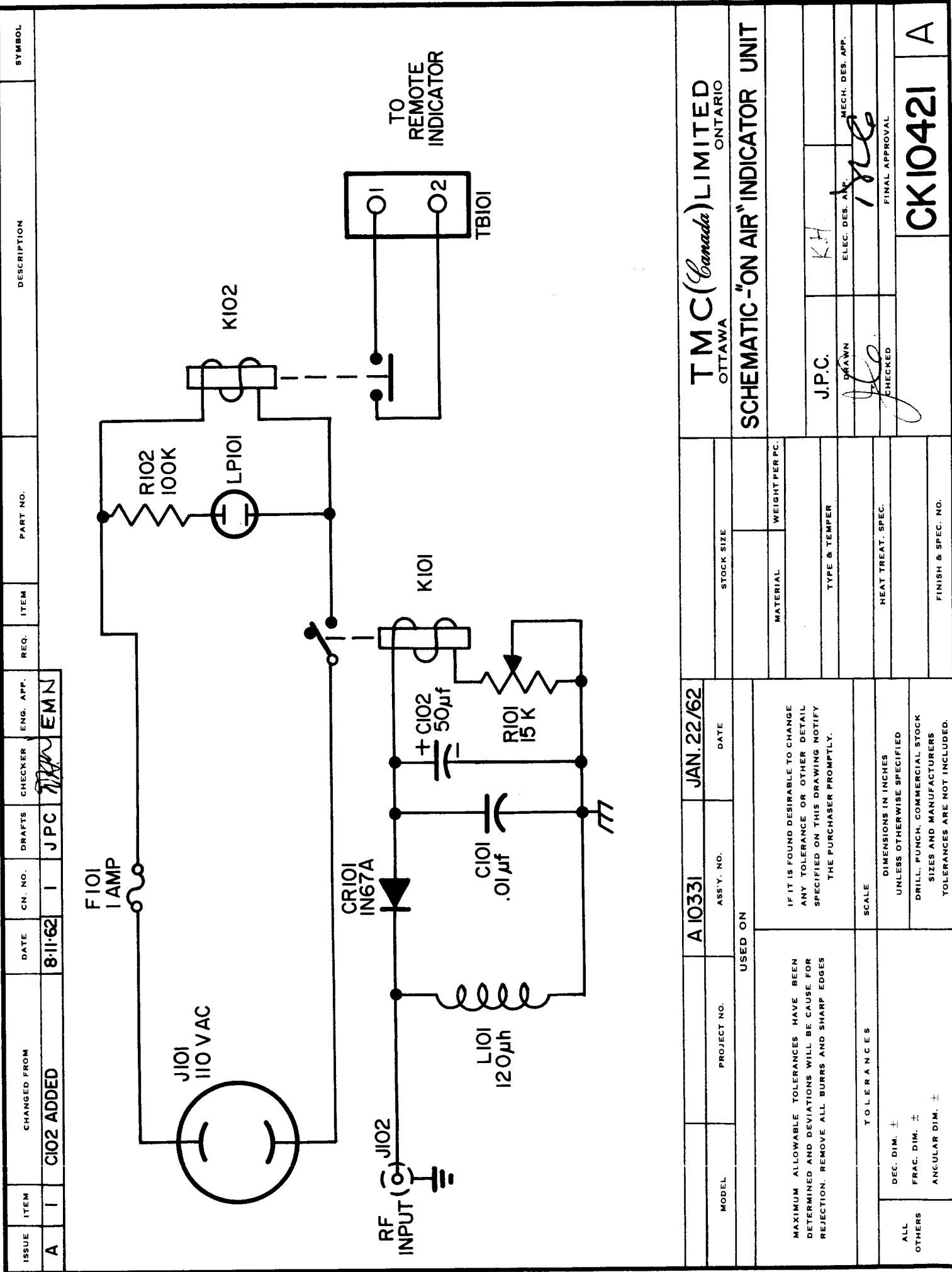
  

ISSUE	ITEM	CHANGED FROM	DATE	CN. NO.	DRAFTS	CHECKER	ENG. APP.

TOLERANCES	
DEC. DIM. ±	DIMENSIONS IN INCHES
FRAC. DIM. ±	UNLESS OTHERWISE SPECIFIED
ANGULAR DIM. ±	DRILL, PUNCH, COMMERCIAL STOCK
	SIZES AND MANUFACTURERS
	TOLERANCES ARE NOT INCLUDED.

CK-10421-A



ISSUE	ITEM	CHANGED FROM	DATE	CN. NO.	DRAFTS	CHECKER	ENG. APP.	REQ.	ITEM	PART NO.	DESCRIPTION	SYMBOL
A	1	C102 ADDED	8-11-62	1	JPC	<i>JPC</i>	EMN					

T M C (Canada) LIMITED OTTAWA ONTARIO	
SCHEMATIC "ON AIR" INDICATOR UNIT	
J.P.C.	K.H.
DRAWN <i>JPC</i>	ELEC. DES. AN. <i>K.H.</i>
CHECKED	MECH. DES. APP.
FINAL APPROVAL	
CK10421	
A	

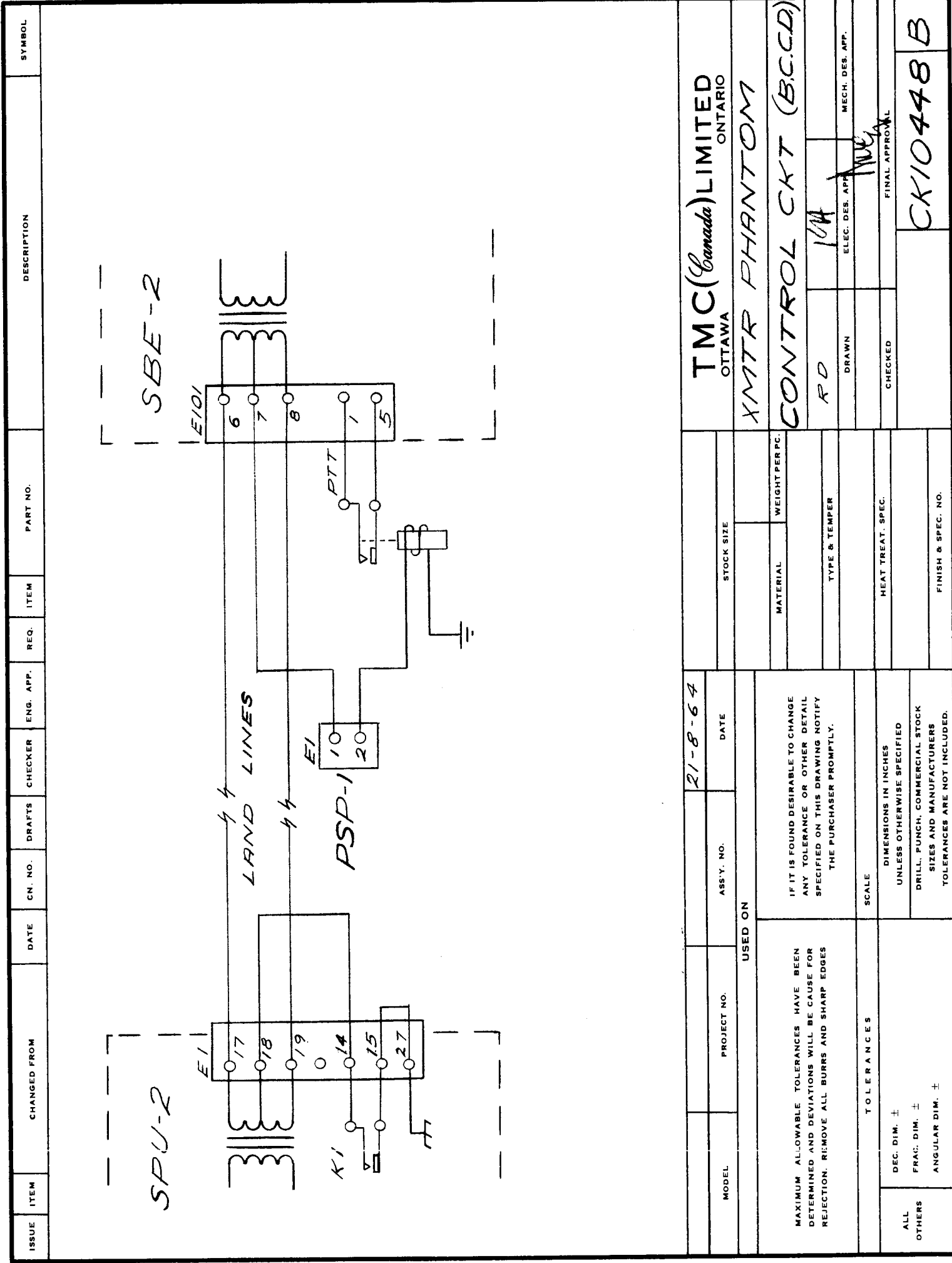
STOCK SIZE	WEIGHT PER PC.
MATERIAL	TYPE & TEMPER.
HEAT TREAT. SPEC.	FINISH & SPEC. NO.

A 10331	JAN. 22/62
PROJECT NO.	ASSY. NO.
USED ON	
IF IT IS FOUND DESIRABLE TO CHANGE ANY TOLERANCE OR OTHER DETAIL SPECIFIED ON THIS DRAWING NOTIFY THE PURCHASER PROMPTLY.	
SCALE	
DIMENSIONS IN INCHES UNLESS OTHERWISE SPECIFIED	
DRILL, PUNCH, COMMERCIAL STOCK SIZES AND MANUFACTURERS TOLERANCES ARE NOT INCLUDED.	

MAXIMUM ALLOWABLE TOLERANCES HAVE BEEN DETERMINED AND DEVIATIONS WILL BE CAUSE FOR REJECTION. REMOVE ALL BURRS AND SHARP EDGES	
TOLERANCES	
DEC. DIM. ±	ANGULAR DIM. ±
FRAC. DIM. ±	
ALL OTHERS	

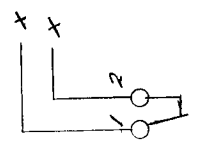
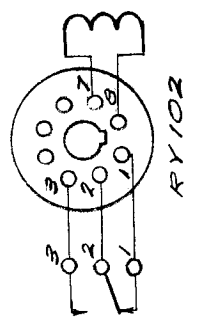
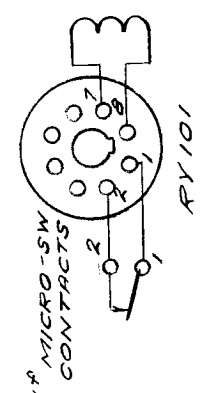
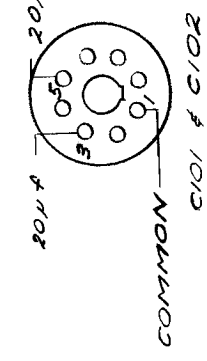
ISSUE	ITEM	CHANGED FROM	DATE	CN. NO.	DRAFTS	CHECKER	ENG. APP.	REQ.	ITEM	PART NO.	DESCRIPTION	SYMBOL
NOTE: MOD PORTION OF CK 436D												
GPR90RXD		PROJECT NO.		ASSY. NO.		DATE		STOCK SIZE		TMC (Canada) LIMITED OTTAWA ONTARIO		
						28/5/63				GPR-90-RXD MOD CAN 1B		
										SCHEMATIC		
										DRAWN <i>R.D.</i>		
										ELEC. DES. APP. <i>[Signature]</i>		
										MECH. DES. APP.		
										CHECKED		
										FINAL APPROVAL		
										CK 10438		



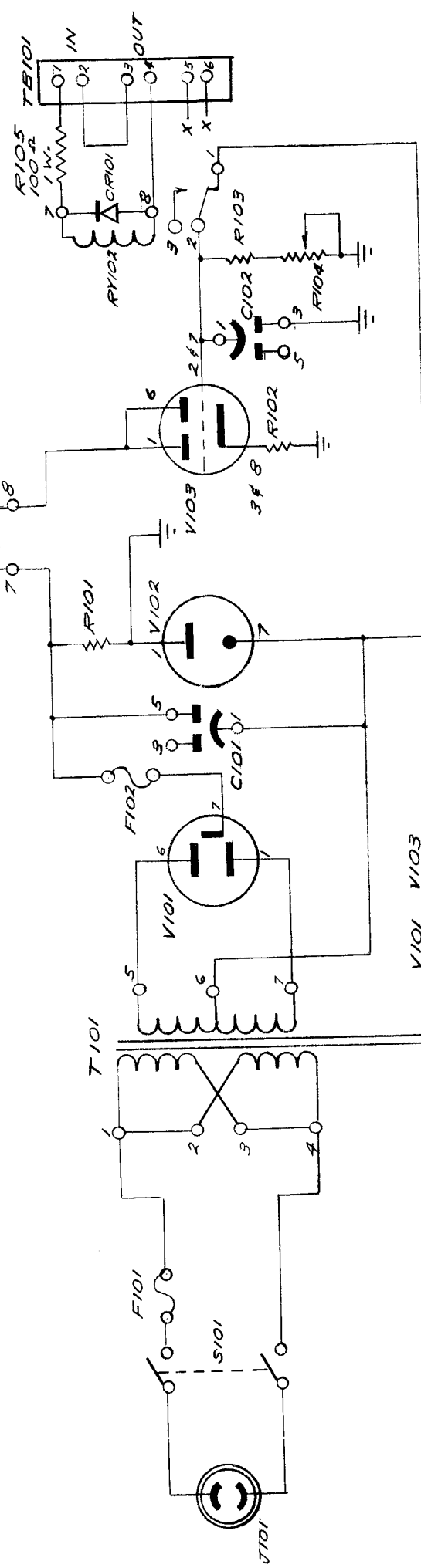


ISSUE	ITEM	CHANGED FROM	DATE	CN. NO.	DRAFTS	CHECKER	ENG. APP.	REQ.	ITEM	PART NO.	DESCRIPTION	SYMBOL
USED ON												
MAXIMUM ALLOWABLE TOLERANCES HAVE BEEN DETERMINED AND DEVIATIONS WILL BE CAUSE FOR REJECTION. REMOVE ALL BURRS AND SHARP EDGES			SCALE			IF IT IS FOUND DESIRABLE TO CHANGE ANY TOLERANCE OR OTHER DETAIL SPECIFIED ON THIS DRAWING NOTIFY THE PURCHASER PROMPTLY.			PROJECT NO.			
TOLERANCES			DIMENSIONS IN INCHES UNLESS OTHERWISE SPECIFIED			DRILL, PUNCH, COMMERCIAL STOCK SIZES AND MANUFACTURERS TOLERANCES ARE NOT INCLUDED.			ASSY. NO.			
DEC. DIM. ±			ANGULAR DIM. ±			FRACTIONAL DIM. ±			DATE			
ALL OTHERS									21-8-64			
									STOCK SIZE			
									MATERIAL			
									WEIGHT PER PC.			
									TYPE & TEMPER			
									HEAT TREAT. SPEC.			
									FINISH & SPEC. NO.			
									DRAWN			
									ELEC. DES. APP.			
									MECH. DES. APP.			
									CHECKED			
									FINAL APPROVAL			
									RD			
									TMC (Canada) LIMITED			
									OTTAWA			
									ONTARIO			
									XMTR PHANTOM			
									CONTROL CKT (B.C.C.D)			
									CK10448 B			

BASE CONNECTIONS



INPUT  
- STATIC CONDITION IS 60 m/2 DC STEADY.  
- OPERATING IS CONDITION IS INTERRUPTED CURRENT.

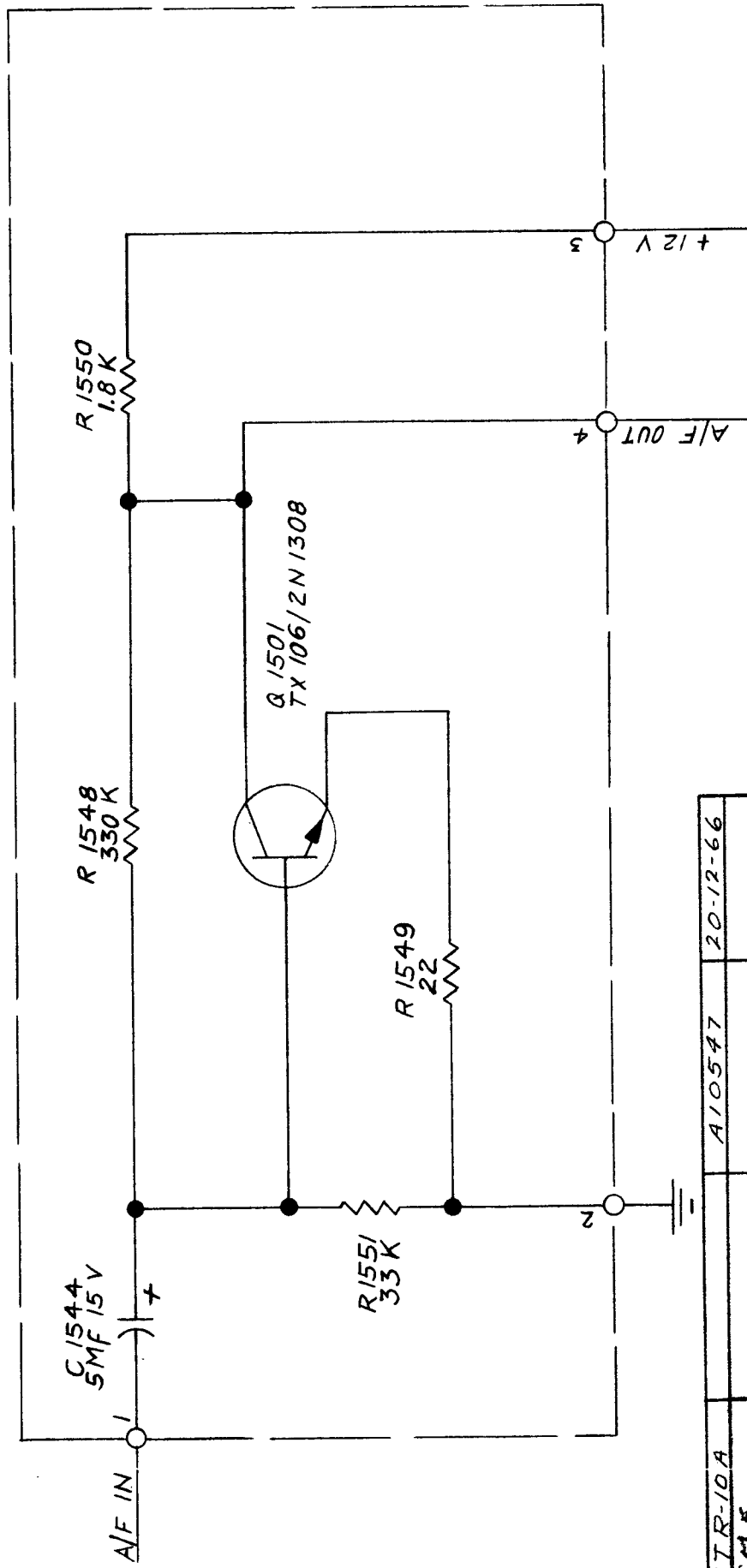


NOTES:  
1- RY101 & RY102 CONTACTS SHOWN IN DE-ENERGIZED POSITION. (RECEIVING - SIGNAL)  
2- TERMINAL NO. 4 OF TB101 MUST BE POSITIVE WITH RESPECT TO TERMINAL NO. 1

FIGURE 7-1 Schematic Diagram  
MODEL SCU-3

24-2-65	CK 10456	Appr.
---------	----------	-------

ISSUE	ITEM	CHANGED FROM	DATE	CN. NO.	DRAFTS	CHECKER	ENG. APP.	REQ.	ITEM	PART NO.	DESCRIPTION	SYMBOL
A		REV PER CEMN	20-12-66	160	RD							



TTR-10A	A10547	20-12-66
SMR		
STE		
TTR-10	A 3898	25-5-65
MODEL	PROJECT NO.	DATE
	ASS'Y. NO.	

**TMC (Canada) LIMITED**  
 OTTAWA ONTARIO  
 DIAGRAM, SCHEMATIC A 3898

PRE - AMP. ASSY

AWD. ELEC. DES. APP. MECH. DES. APP.

CHECKED: [Signature] FINAL APPROVAL: [Signature]

CK 10 462 A

USED ON

MAXIMUM ALLOWABLE TOLERANCES HAVE BEEN DETERMINED AND DEVIATIONS WILL BE CAUSE FOR REJECTION. REMOVE ALL BURRS AND SHARP EDGES

IF IT IS FOUND DESIRABLE TO CHANGE ANY TOLERANCE OR OTHER DETAIL SPECIFIED ON THIS DRAWING NOTIFY THE PURCHASER PROMPTLY.

TOLERANCES

DEC. DIM. ±  
 FRAC. DIM. ±  
 ANGULAR DIM. ±

SCALE

DIMENSIONS IN INCHES UNLESS OTHERWISE SPECIFIED

DRILL, PUNCH, COMMERCIAL STOCK SIZES AND MANUFACTURERS TOLERANCES ARE NOT INCLUDED.

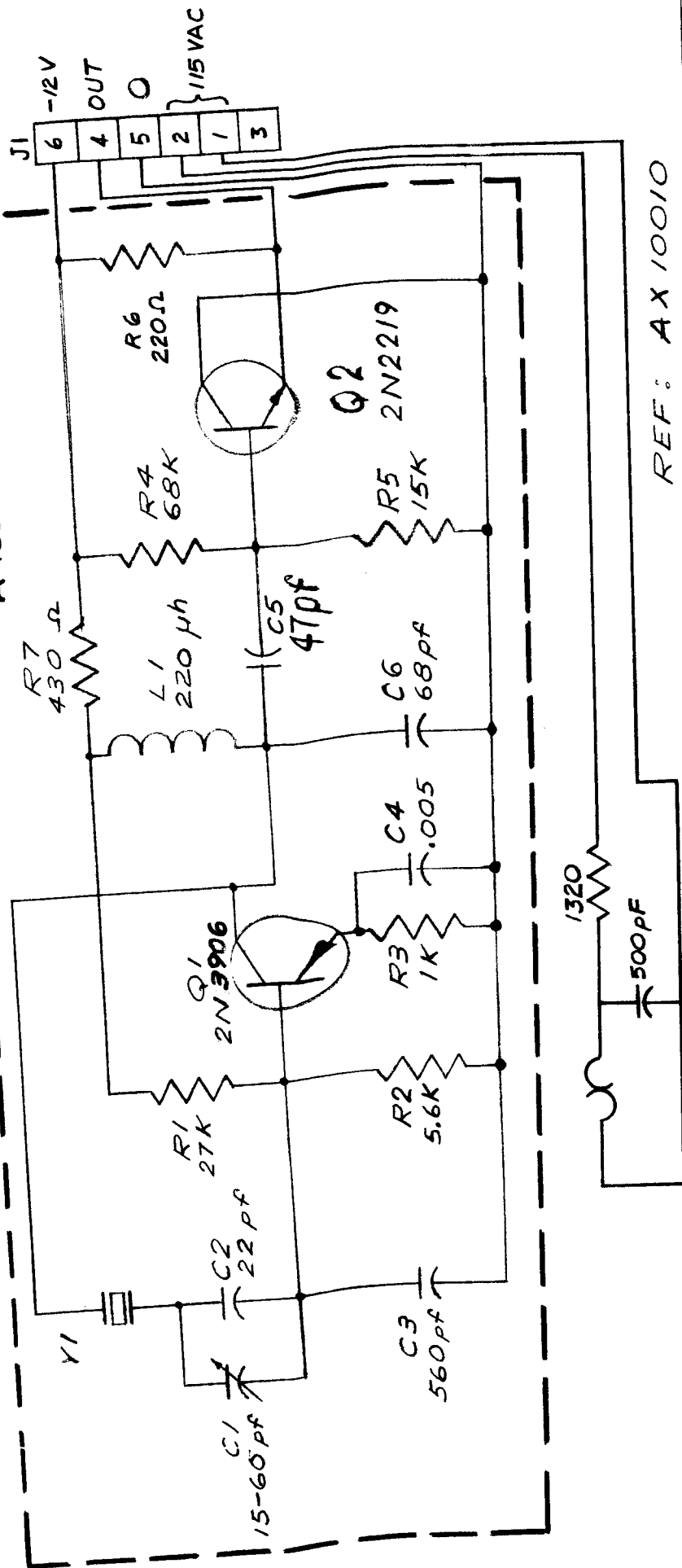
IT IS DESIRABLE TO CHANGE ANY TOLERANCE OR OTHER DETAIL SPECIFIED ON THIS DRAWING NOTIFY THE PURCHASER PROMPTLY.

MAXIMUM ALLOWABLE TOLERANCES HAVE BEEN DETERMINED AND DEVIATIONS WILL BE CAUSE FOR REJECTION. REMOVE ALL BURRS AND SHARP EDGES

USED ON

MODEL	PROJECT NO.	ASS'Y. NO.	DATE
TTRT(18)	005/66		10-2-66
TTRT(10)	059/67		27-9-67

A-10399



REF: AX10010

REQ. ITEM	PART NO.	DESCRIPTION	SYMBOL
		TMC (Canada) LIMITED OTTAWA ONTARIO	
		SCHEMATIC	
		TRANSMITTER OSCILLATOR	
		RD	
		DRAWN	
		ELEC. DIS. APP.	
		MECH. DES. APP.	
		CHECKED	
		FINISH APPROVAL	
		CK10474	C

REV AS PER CEMN	292	RPL	
REV. TO CEMN	272	GM	
REV TO CEMN	247	AP	
REL FOR PROD.		GM	

ISSUE	ITEM	CHANGED FROM	DATE	CN. NO.	DRAFTS	CHECKER	ENG. APP.
			11/66				

TOLERANCES		SCALE
DEC. DIM. ±	DIMENSIONS IN INCHES	
FRAC. DIM. ±	UNLESS OTHERWISE SPECIFIED	
ANGULAR DIM. ±	DRILL, PUNCH, COMMERCIAL STOCK	
	SIZES AND MANUFACTURERS	
	TOLERANCES ARE NOT INCLUDED.	

ISSUE	ITEM	CHANGED FROM	DATE	CN. NO.	DRAFTS	CHECKER	ENG. APP.	REQ.	ITEM	PART NO.	DESCRIPTION	SYMBOL
0		RELEASED	21-2-66		RD							

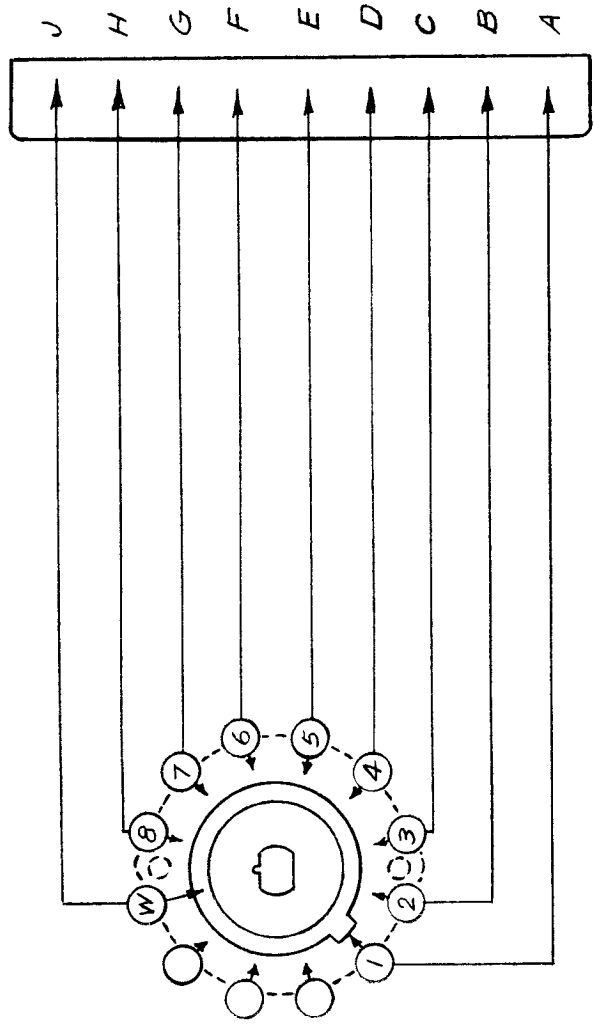
  
  

AX 10013	051/66	A10410	21 FEB 66
MODEL	PROJECT NO.	ASSY. NO.	DATE
USED ON			
<p>MAXIMUM ALLOWABLE TOLERANCES HAVE BEEN DETERMINED AND DEVIATIONS WILL BE CAUSE FOR REJECTION REMOVE ALL BURRS AND SHARP EDGES</p>		<p>IF IT IS FOUND DESIRABLE TO CHANGE ANY TOLERANCE OR OTHER DETAIL SPECIFIED ON THIS DRAWING NOTIFY THE PURCHASER PROMPTLY.</p>	
TOLERANCES			
DEC. DIM. ±	DIMENSIONS IN INCHES		
FRAC. DIM. ±	UNLESS OTHERWISE SPECIFIED		
ANGULAR DIM. ±	DRILL, PUNCH, COMMERCIAL STOCK SIZES AND MANUFACTURERS TOLERANCES ARE NOT INCLUDED.		

TMC (Canada) LIMITED OTTAWA	
PEAK CLIPPING DIODE	
PROTECTOR CIRCUIT	
RD	
DRAWN	ELEC. DES. APP. <i>[Signature]</i>
CHECKED	MECH. DES. APP.
	FINAL APPROVAL
	CK10481

ISSUE	ITEM	CHANGED FROM	DATE	CN. NO.	DRAFTS	CHECKER	ENG. APP.	REQ.	ITEM	PART NO.	DESCRIPTION	SYMBOL
Ø		RELEASED	16-3-66		RD		(RD)					



S1515F  
VIEWED FROM  
CLIP SIDE

J906

COOK

A10423		054/66		15 MAR 66		TMC (Canada) LIMITED OTTAWA ONTARIO	
MODEL		PROJECT NO.		DATE		SCHEMATIC	
ABS. Y. NO.		USED ON		MATERIAL		WAFER ASSY	
IF IT IS FOUND DESIRABLE TO CHANGE ANY TOLERANCE OR OTHER DETAIL SPECIFIED ON THIS DRAWING NOTIFY THE PURCHASER PROMPTLY.		WEIGHT PER PC.		TYPE & TEMPER		RD	
MAXIMUM ALLOWABLE TOLERANCES HAVE BEEN DETERMINED AND DEVIATIONS WILL BE CAUSE FOR REJECTION. REMOVE ALL BURRS AND SHARP EDGES		SCALE		HEAT TREAT. SPEC.		DRAWN	
TOLERANCES		DIMENSIONS IN INCHES UNLESS OTHERWISE SPECIFIED		FINISH & SPEC. NO.		CHECKED	
DEC. DIM. ±		DRILL, PUNCH, COMMERCIAL STOCK SIZES AND MANUFACTURERS TOLERANCES ARE NOT INCLUDED.		ELEC. DES. APP.		MECH. DES. APP.	
FRAC. DIM. ±				FINAL APPROVAL			
ANGULAR DIM. ±				CK10483		Ø	