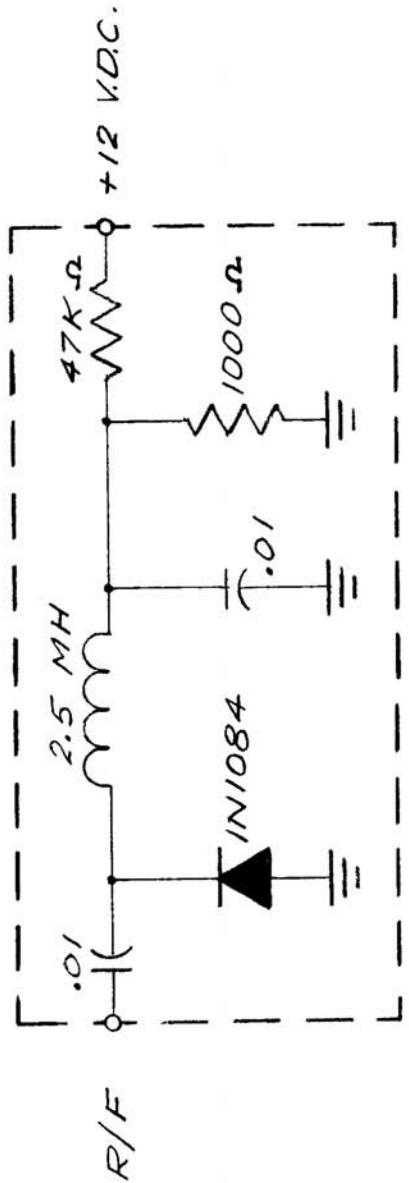


ISSUE	CHANGED FROM	DATE	CN. NO.	DRAFTS	CHECKER	ENG. APP.	REQ.	ITEM	PART NO.	DESCRIPTION	SYMBOL
Ø	RELEASED	2/2/66		RD							



MODEL		PROJECT NO.		DATE		STOCK SIZE		TMC (Canada) LIMITED OTTAWA	
AX 10013		051/66		21 FEB 66				PEAK CLIPPING DIODE	
TOLERANCES		TOLERANCES		IF IT IS FOUND DESIRABLE TO CHANGE ANY TOLERANCE OR OTHER DETAIL SPECIFIED ON THIS DRAWING NOTIFY THE PURCHASER PROMPTLY.		MATERIAL		PROTECTOR CIRCUIT	
DEC. DIM. ±		DEC. DIM. ±		SCALE		TYPE & TEMPER		RD	
FRAC. DIM. ±		FRAC. DIM. ±		DIMENSIONS IN INCHES UNLESS OTHERWISE SPECIFIED		HEAT TREAT. SPEC.		DRAWN	
ANGULAR DIM. ±		ANGULAR DIM. ±		DRILL, PUNCH, COMMERCIAL STOCK SIZES AND MANUFACTURERS TOLERANCES ARE NOT INCLUDED.		FINISH & SPEC. NO.		ELEC. DES. APP.	
ALL OTHERS		ALL OTHERS		REJECTION REMOVE ALL BURRS AND SHARP EDGES				MECH. DES. APP.	
								CHECKED	
								FINAL APPROVAL	
								CK10481 Ø	