

CK10420

USED ON

DATE
JAN. 5/62

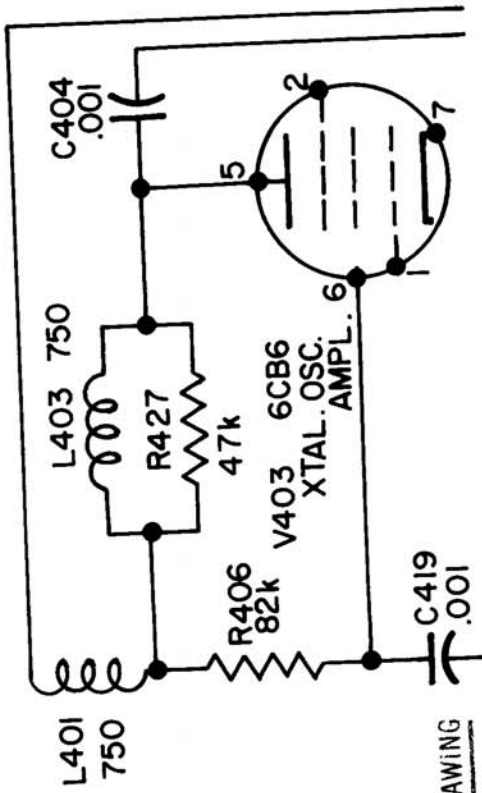
ASS'Y. NO.

PROJECT NO.

MODEL

IF IT IS FOUND DESIRABLE TO CHANGE ANY TOLERANCE OR OTHER DETAIL SPECIFIED ON THIS DRAWING NOTIFY THE PURCHASER PROMPTLY.

MAXIMUM ALLOWABLE TOLERANCES HAVE BEEN DETERMINED AND DEVIATIONS WILL BE CAUSE FOR REJECTION. REMOVE ALL BURRS AND SHARP EDGES



REF: CK 383G

NOTICE TO PERSONS RECEIVING THIS DRAWING

THE TECHNICAL MATERIEL CORPORATION claims protection in the material disclosed herein. All rights are reserved. No part of this drawing may be reproduced or transmitted in any form or by any means, electronic or mechanical, including photocopying, recording, or by any information storage and retrieval system, without the prior written permission from THE TECHNICAL MATERIEL CORPORATION. This drawing is loaned to you for your assistance and is subject to recall at any time.

Property of:
THE TECHNICAL MATERIEL CORPORATION
MAMARONECK, NEW YORK

REQ. ITEM	PART NO.	DESCRIPTION	SYMBOL
		TMC(Canada) LIMITED OTTAWA ONTARIO	
		MOD. TO RTF-2 OSCILLATOR	
		TUBE FOR DOT. ONLY	
		JPC	
		DRAWN <i>JPC</i>	ELEC. DES. APP.
		CHECKED <i>JPC</i>	MECH. DES. APP.
			FINAL APPROVAL
			CK 10420
		STOCK SIZE	
		MATERIAL	WEIGHT PER PC.
		TYPE & TEMPER	
		HEAT TREAT. SPEC.	
		FINISH & SPEC. NO.	
ISSUE	ITEM	CHANGED FROM	DATE
CN. NO. DRAFTS CHECKER ENG. APP.			
SCALE			
DIMENSIONS IN INCHES UNLESS OTHERWISE SPECIFIED			
DRILL. PUNCH. COMMERCIAL STOCK SIZES AND MANUFACTURERS TOLERANCES ARE NOT INCLUDED.			
ALL OTHERS	DEC. DIM. ±	FRAC. DIM. ±	ANGULAR DIM. ±