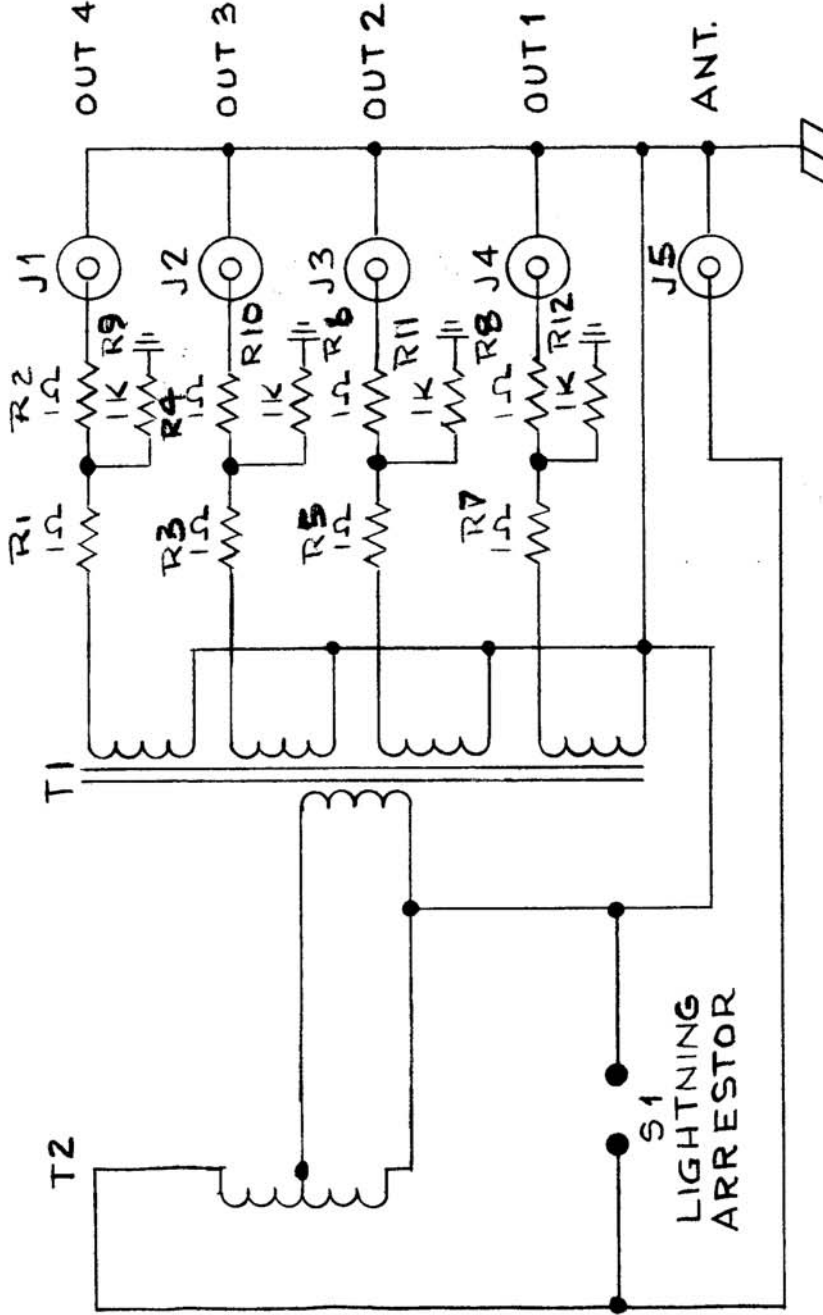


UNLESS OTHERWISE SPECIFIED -
ALL RESISTOR VALUES ARE IN OHMS 1/2W.

REQ. UNIT	MODEL	USED ON
	HFD-1S	ASBY. NO.
		DATE
		1-14-66

CK1085



LAST SYM. USED
J 5
R 12
S 1
T 2

REQ. ITEM	PART NO.	DESCRIPTION	SYMBOL
		THE TECHNICAL MATERIAL CORP. MAMARONECK.	
		DIAGRAM, SCHEMATIC	
		MODEL HFD-1S	
		M.T.	
		DRAWN	
		CHECKED	
		DATE	
		1-17-66	
		ELEC. DES. APP.	
		MECH. DES. APP.	
		CK1085	
		M.L.S. 1/17	
		FINAL APPROVAL	
		FINISH & SPEC. NO.	
		SCALE	
		DATE	
		1/17/66	
		CHECKER	
		ENG. APP.	
		DESCRIPTION	
		ORIGINAL RELEASE	
		UNLESS OTHERWISE SPECIFIED DIMENSIONS ARE IN INCHES AND INCLUDE CHEMICALLY APPLIED OR PLATED FINISHES	
		FRACTIONS	
		± 1/64	
		ANGLES	
		± 0° 30'	
		TOLERANCES	
		.X ± .05	
		.XX ± .01	
		.XXX ± .005	