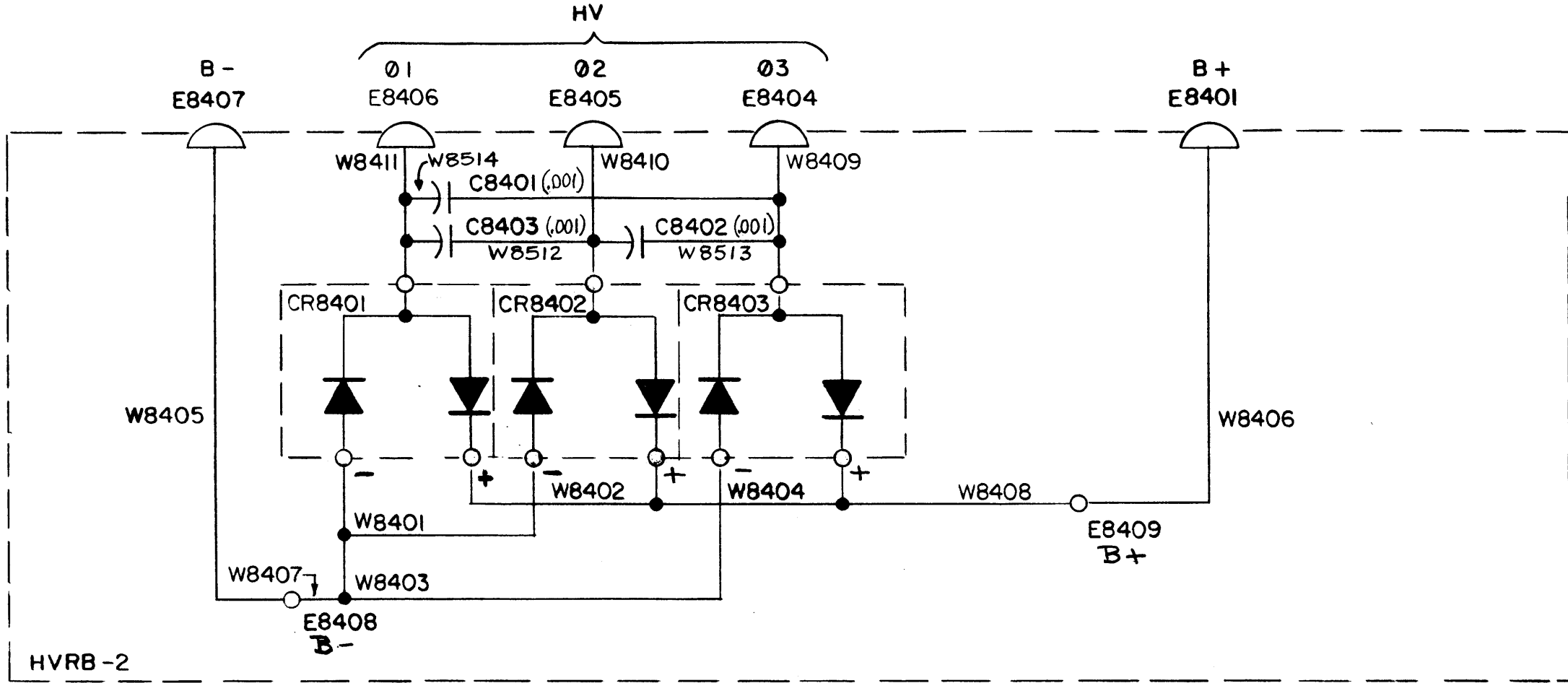


CK1082

REVISIONS

SYM	DESCRIPTION	DATE	E.M.N. NO.	DRAFT	CHKD	APPD
X1	VALUES ADDED TO CAPACITORS	12-14-65	X1			
Ø	ORIGINAL RELEASE FOR PRODUCTION	9/28/66	Ø			



LAST SYMBOLS

E8409  
CR8403  
W8414  
C8403

MISSING SYMBOLS

E8402  
E8403

HVRB-2	
Q'TY./UNIT	MODEL USED ON
SCALE	CODE

THE CONTENTS OF THIS DRAWING ARE THE EXCLUSIVE PROPERTY OF THE TECHNICAL MATERIEL CORP. ITS UNAUTHORIZED USE OR REPRODUCTION IN WHOLE OR IN PART IS STRICTLY FORBIDDEN.

REQ'D.	ITEM	PART NUMBER	DESCRIPTION	SYMBOL
F. BUDETTI LIST OF MATERIAL				
MATERIAL		THE TECHNICAL MATERIEL CORP. MAMARONECK, NEW YORK		
FINISH		TITLE DIAGRAM, SCHEMATIC		
UNLESS OTHERWISE SPECIFIED DIMENSIONS ARE IN INCHES AND INCLUDE CHEMICALLY APPLIED OR PLATED FINISHES		DRAWN 12-7-65	DATE	FINAL APPROVAL DATE
DECIMALS .X ± .05 .XX ± .01 .XXX ± .005		CHECKED 9/28/66	DATE	DATE
TOLERANCES ± 1/64 ANGLES ± 0 30'		ELECT. DES.	DATE	DATE
		MECH. DES.	DATE	DATE
		CK1082		Ø
		SHEET	REV. LTR.	

NOTES

ML gpd 7-28-66