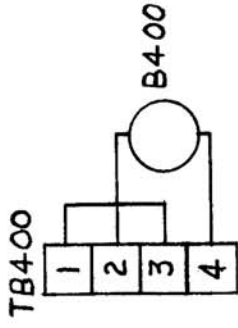
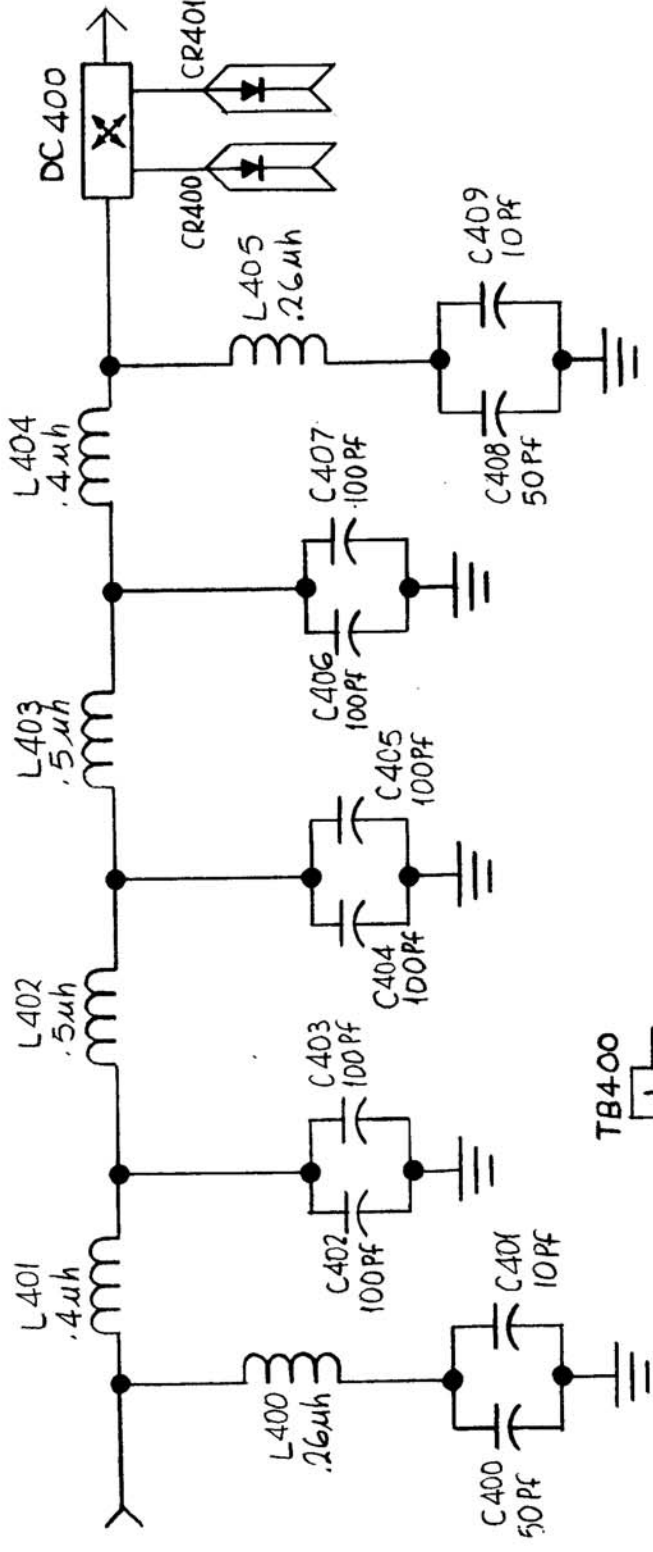


CK1050 A

USED ON  
REQ. UNIT  
MODEL  
ASS'Y. NO. TST-10K (AF104)  
DATE  
10-6-65



REQ. ITEM	PART NO.	F. BUDETTI	DESCRIPTION	SYMBOL
			THE TECHNICAL MATERIEL CORP. MAMARONECK, NEW YORK	
			DIAGRAM, SCHEMATIC	
			LOW PASS FILTER, FIXED	
			DRAWN	FINAL APPROVAL
			ELEC. DES. APP.	MECH. DES. APP.
			FINISH & SPEC. NO.	CK1050 A
			REPROVAL NO. 440H	28845

REQ. ITEM	PART NO.	STOCK SIZE	MATERIAL	TYPE & TEMPER	HEAT TREAT. SPEC.	FINISH & SPEC. NO.

SYM	DESCRIPTION	DATE	CH. NO.	DRAFTS	CHECKER	ENG. APP.
A	ADDED TB400 & B400	6-29-67	18340	L.A.K.		
Q	ORIGINAL RELEASE FOR PRODUCTION	8-25-66		RME		
X1	CR.400, CR.401 ADDED, DC400 CH.	11-23-65	X1			

UNLESS OTHERWISE SPECIFIED	SCALE
DIMENSIONS ARE IN INCHES AND INCLUDE CHEMICALLY APPLIED OR PLATED FINISHES	
TOLERANCES	
DECIMALS	
X ± .05	
XX ± .01	
.XXX ± .005	
FRACTIONS	
± 1/64	
ANGLES	
± 0° 30'	