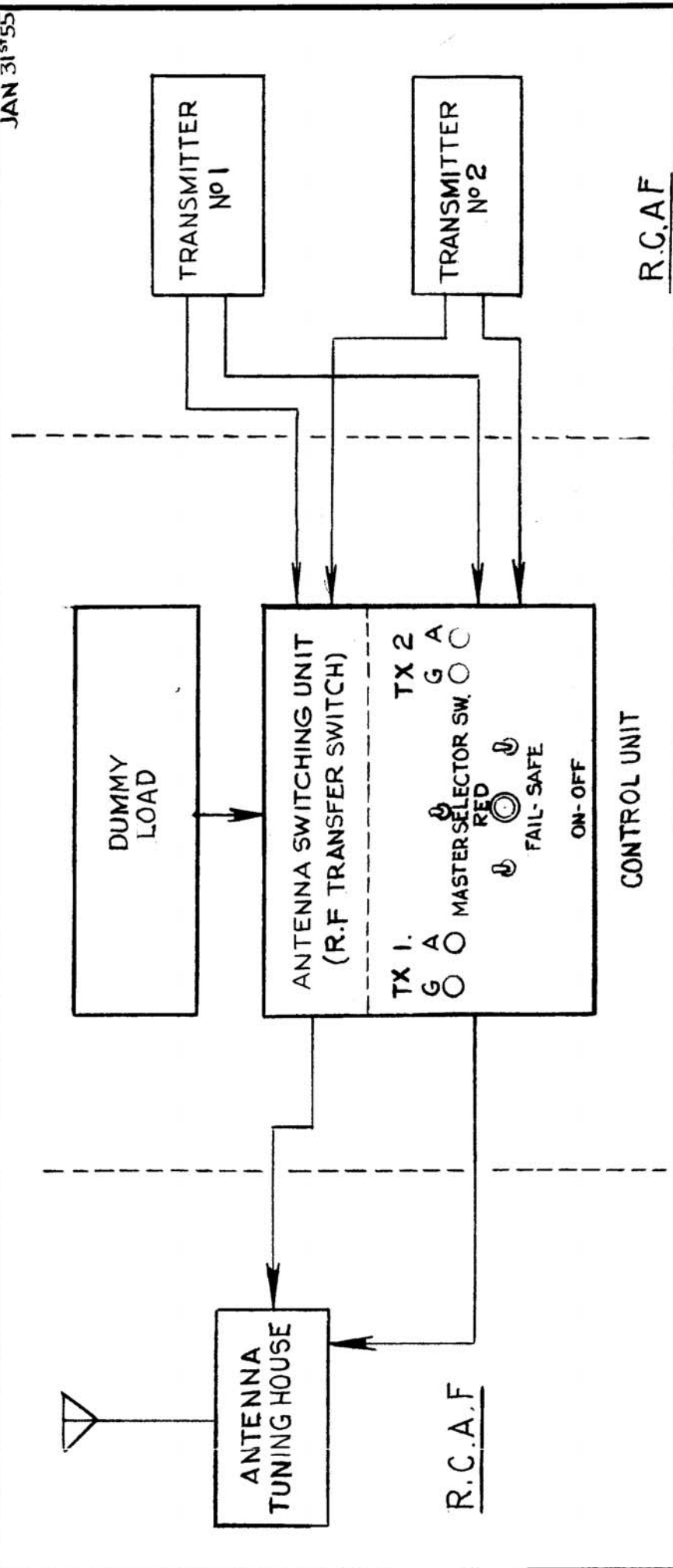


IF IT IS FOUND DESIRABLE TO CHANGE ANY TOLERANCE OR OTHER DETAIL SPECIFIED ON THIS DRAWING NOTIFY THE PURCHASER PROMPTLY.

MAXIMUM ALLOWABLE TOLERANCES HAVE BEEN DETERMINED AND DEVIATIONS WILL BE CAUSE FOR REJECTION. REMOVE ALL BURRS AND SHARP EDGES

USED ON PROJECT NO. ASS'Y. NO. DATE

CK-10040 JAN 31ST 55



REQ. ITEM	PART NO.	DESCRIPTION	SYMBOL
		TMC (Canada) LIMITED OTTAWA	
STOCK SIZE		PROPOSAL	
MATERIAL	WEIGHT PER PC.	LF/MF BEACON TRANSMITTER CHANGE OVER ASSEMBLY	
TYPE & TEMPER		E. W. B. G.	
HEAT TREAT. SPEC.		DRAWN	ELEC. DES. APP. MECH. DES. APP.
FINISH & SPEC. NO.		CHECKED	FINAL APPROVAL
			CK-10040