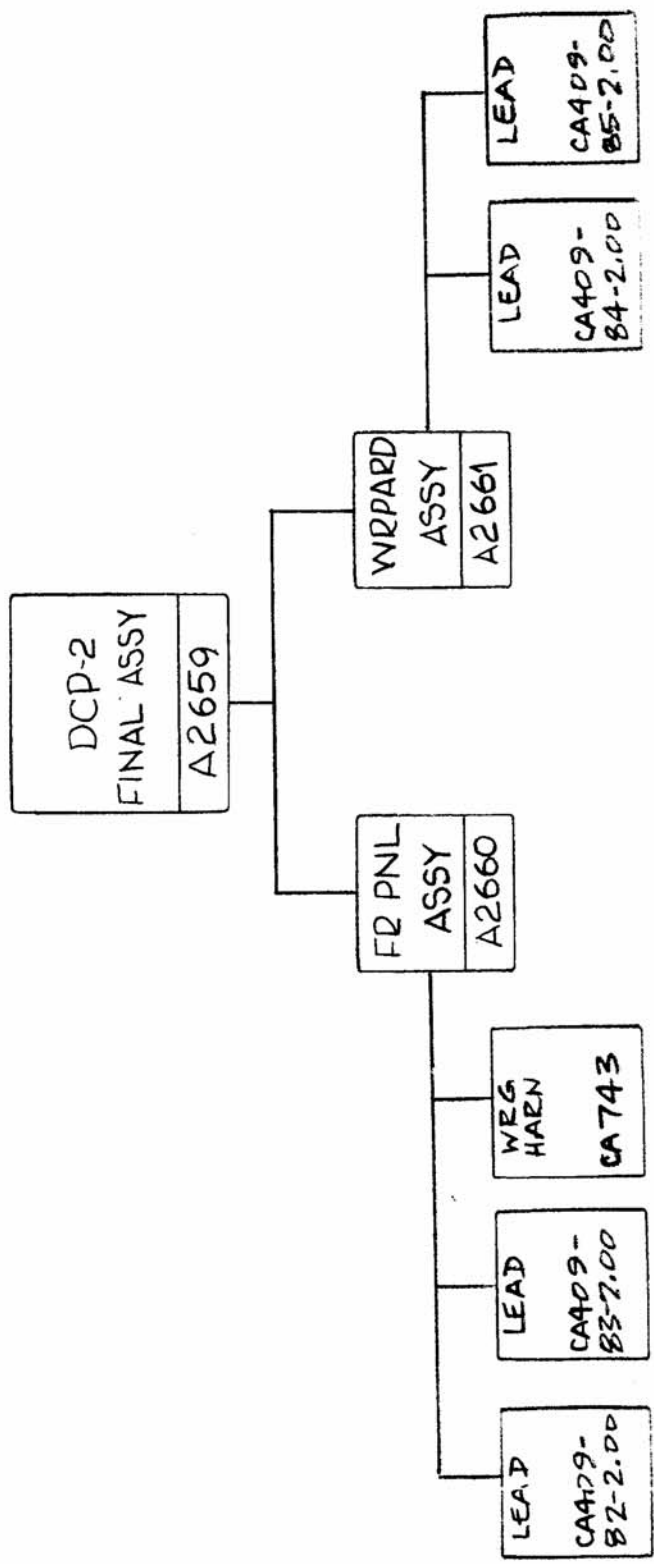


REQ. PER UNIT	USED ON	CH248
	ASSY. NO.	
	MODEL	
	DCP-2	
	DATE	3-24-66



REQ. ITEM	PART NO.	DESCRIPTION	SYMBOL
	#	THE TECHNICAL MATERIEL CORP. MAMARONECK. NEW YORK	
	#	CHART UNIT BREAKDOWN	
	#	DCP-2	
	#	DRAWN	
	#	CHECKED	
	#	FINAL APPROVAL	
	#		CH248

SYMBOL	DESCRIPTION	DATE	CH. NO.	DRAFTS	CHECKER	EN. APP.
Ø	ORIG. RELEASE FOR PROD.	4/2/66	Ø	6/4		
UNLESS OTHERWISE SPECIFIED		SCALE		CODE		
DIMENSIONS ARE IN INCHES AND INCLUDE		FRACTIONS		TOLERANCES		
CHEMICALLY APPLIED OR PLATED FINISHES		± 1/64		ANGLES		
DECIMALS		± 0° 30'		TOLERANCES		
X ± .05						
XX ± .01						
XXX ± .005						