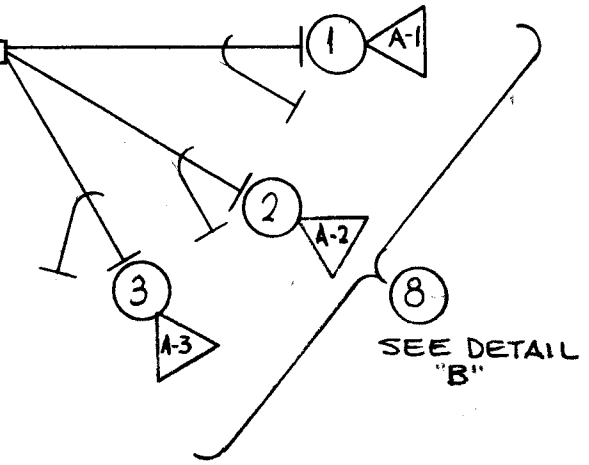
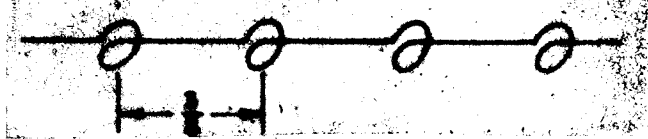


THIS SYMBOL DENOTES END OF INSULATION AND NAIL DRIVING POINT. WIRE MUST BE STRIPPED 3/4" BEYOND THIS POINT AND TINNED 1/2" UNLESS OTHERWISE SPECIFIED.

WIRES SHOULD BE PLACED IN CABLE IN NUMERICAL SEQUENCE AS THEY APPEAR IN ITEM COLUMN. SPACE LACING APPROXIMATELY 3/4" APART.



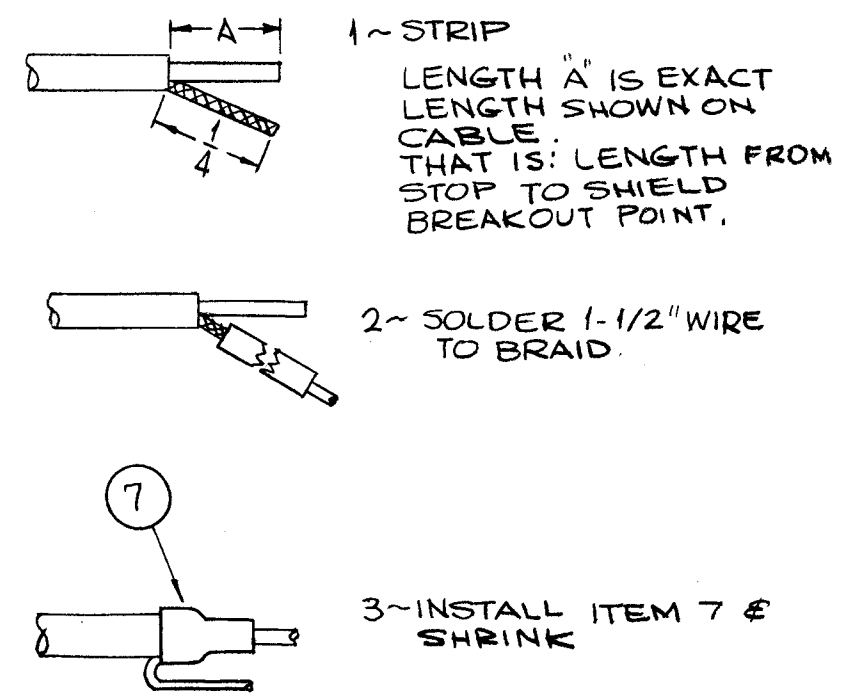
CA 947

REVISIONS					
SYM	DESCRIPTION	DATE	E.M.N. NO.	DRAFT	CHKD APPD
X	EXPERIMENTAL RELEASE	10-29-64	X	SRG	
Ø	ORIGINAL RELEASE FOR PRODUCTION	4/12/65	-A-	SRG	

SYMBOL - DENOTES
 ○ = ITEM NOS
 △ = PIN NOS

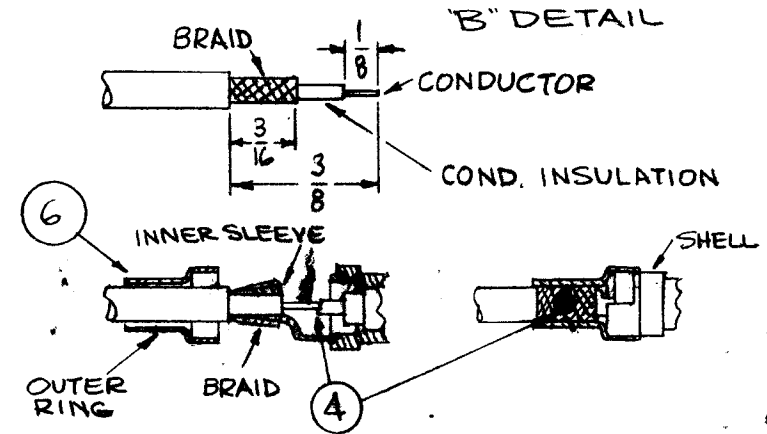
NOTE:
 * INSULATION STRIPPED AT BREAKOUT THEN PROCEED AS DETAIL B.

"A" DETAIL



NOTES

"B" DETAIL



1- SLIDE OUTER RING OVER CABLE JACKET. TRIM CABLE AS SHOWN. INSERT CABLE DIELECTRIC AND CENTER CONDUCTOR INTO INSIDE DIA. OF INNER SLEEVE SOLDER CENTER COND. TO COAXIAL CENTER CONTACT.
 2- SLIDE OUTER RING FORWARD UNTIL FLUSH WITH COAXIAL SHELL, CONFINING BRAID BETWEEN OUTER RING & INNER SLEEVE. SOFT SOLDER OUTER RING TO ASS'Y THROUGH CROSS-DRILLED SOLDER HOLE

1	8	JJ321-3P	PLUG, MALE 3/PIN
X	7	PX830-12-1	SHRINK TUBING
3	6	PN120-2	PIN CONTACT ELECT. COAXIAL
X	5	CD101-MW	CORD, NYLON LACING
X	4	BS100	SOLDER TIN ALLOY
5 3/8	3	SHIELD RG174/U	J213 A-3 GND J213 A-3 J207 GND BUSS J207 PIN 18
3 3/4	2	SHIELD RG174/U	J213 A-2 GND J213 A-2 J207 GND BUSS J207 PIN 12
3 1/2	1	SHIELD RG174/U	J213 A-1 GND J213 A-1 J207 GND BUSS J207 PIN
REQ'D.	ITEM	PART NUMBER	FROM DESCRIPTION TO SYMBOL

M. GELLMAN		LIST OF MATERIAL	
MATERIAL	FINISH	THE TECHNICAL MATERIEL CORP. MAMARONECK, NEW YORK	
UNLESS OTHERWISE SPECIFIED DIMENSIONS ARE IN INCHES AND INCLUDE CHEMICALLY APPLIED OR PLATED FINISHES		TITLE WIRING HARNESS BRANCHED (BAND 1)	
DECIMALS .X ± .05 .XX ± .01 .XXX ± .005	FRACTIONS ± 1/64 ANGLES ± 0° 30'	DRAWN SRG	DATE 10-28-64
TOLERANCES		CHECKED QCS	DATE 4/12/65
		ELECT. DES. MP	DATE 4-12-65
		MECH. DES. MP	DATE 4-12-65
		FINAL APPROVAL CA947	
		SHEET	
		REV. LTR.	

1	VLRB-1	
Q'TY./UNIT	MODEL USED ON	ASS'Y. NO.
SCALE 1:1	CODE A	
THE CONTENTS OF THIS DRAWING ARE THE EXCLUSIVE PROPERTY OF THE TECHNICAL MATERIEL CORP. ITS UNAUTHORIZED USE OR REPRODUCTION IN WHOLE OR IN PART IS STRICTLY FORBIDDEN.		