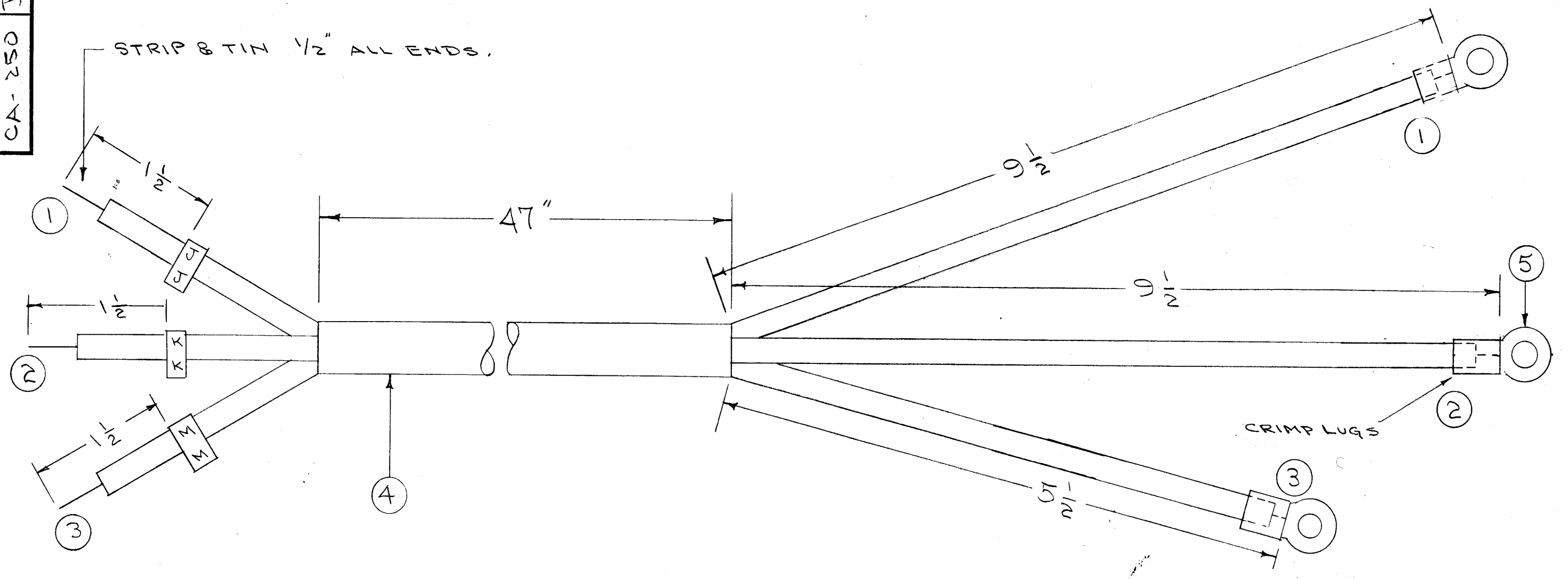


CA-250 B



NOTICE TO PERSONS RECEIVING THIS DRAWING

THE TECHNICAL MATERIEL CORPORATION claims proprietary right in the material disclosed hereon. This drawing is issued in confidence for engineering information only and may not be reproduced or used to manufacture anything shown hereon without permission from THE TECHNICAL MATERIEL CORPORATION to the user. This drawing is loaned for mutual assistance and is subject to recall at any time.

Property of:
THE TECHNICAL MATERIEL CORPORATION
 MAMARONECK, NEW YORK

X	8	BS-100	SOLDER, SOFT	
3	7	LA-101	J-K & M	
4	6		DELETED	
3	5	TE-155-34170	LUG, SOLDE	
47"	4	PX-100-1-500	INSULATION, SLEEVING	
	3	SR19(37)10C92	CABLE, INSULATED W/RED	
	2		90	WH/BLK.
	1		99	WHITE

ISSUE	ITEM	CHANGED FROM	DATE	CH. NO.	DRAFTS	CHECKER	ENG. APP.
B	1	5/2 WAS 8 5/2 WAS 8	9/1/56	3	COO	JAW	DE
A	3	ITEM 7 WAS 6 REG	4/25/56	2	JAW	COO	W.A.J.J.
A	2	ITEM 5 CHANGED					
A	1	LENGTH & COLOR OF 3 CHGD.	4/1/56	1	COO	JAW	DE

TOLERANCES		SCALE:	
DEC. DIM. ±		1	RTP
FRAC. DIM. ±			
ANGULAR DIM. ±			
MAXIMUM ALLOWABLE TOLERANCES HAVE BEEN DETERMINED AND ANY DEVIATIONS WILL BE CAUSE FOR REJECTION. REMOVE ALL BURRS AND SHARP EDGES		REQ. PER UNIT	PROJECT NO.

REQ. PER UNIT	MODEL	PROJECT NO.	ASS'Y. NO.	DATE
				1-4-55

REQ. ITEM		PART NO.	DESCRIPTION	SYMBOL
			THE TECHNICAL MATERIEL CORP. MAMARONECK, NEW YORK	
			CABLE, A.C. POWER	
			GPT-750	
			ADD 1/16" JAW	A.J.J.
		TYPE & TEMPER	HEAT TREAT. SPEC.	FINAL APPROVAL
				CA-250 B