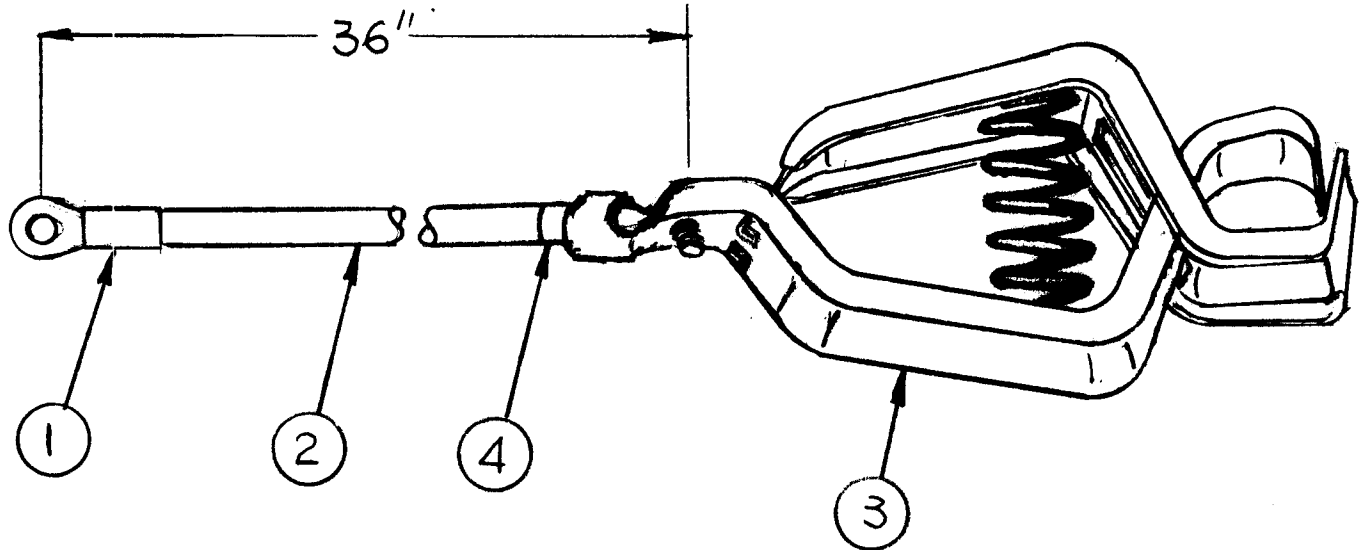


APPLICATION			REVISIONS						
QTY	MODEL USED ON	ASS'Y NO.	LTR	DESCRIPTION	DATE	E.M.N.NO	DRAFT	CHKD	APPD
1EA	TM 125	LP220	Ø	ORIGINAL RELEASE FOR PROD	8/76		CL	HPS	*

TMC P/NO	ITEM NO.2
CA1801-1	HWC10(37)U0
CA1801-2	HWC10(37)U1



1	4	TE141-3	TERM, LUG	
1	3	CU174	CLIP, ELECT	
36"	2	SEE CHART	WIRE	
1	1	TE141-2	TERM, LUG	

UNLESS OTHERWISE SPECIFIED DIMENSIONS ARE IN INCHES AND INCLUDE CHEMICALLY APPLIED OR PLATED FINISHES

REQ'D	ITEM	PART NUMBER	DESCRIPTION	SYM.
-------	------	-------------	-------------	------

LIST OF MATERIAL

DECIMALS .X ± .05 .XX ± .01 .XXX ± .005	FRACTIONS 1/64 ANGLES Ø .30°	TOLS.
MATERIAL	FINISH	

FINAL APPROVE * [Signature]	DATE 8-12-76
MECH. DES.	DATE
ELECT. DES.	DATE
CHECKED	DATE
DRAWN GDL	DATE 3-19-76

THE TECHNICAL MATERIEL CORP.
MAMARONECK, NEW YORK

CABLE, POWER
BATTERY

<p>NOTICE TO PERSONS RECEIVING THIS DRAWING THE TECHNICAL MATERIEL CORPORATION claims proprietary right in the material disclosed hereon. This drawing is issued in confidence for engineering information only and may not be reproduced or used to manufacture anything shown hereon without permission from THE TECHNICAL MATERIEL CORPORATION to the user. This drawing is loaned for mutual assistance and is subject to recall at any time.</p>				SIZE A	CODE IDENT. NO. 82679	DWG NO. CA1801	ISSUE Ø
SCALE		SHEET		OF			