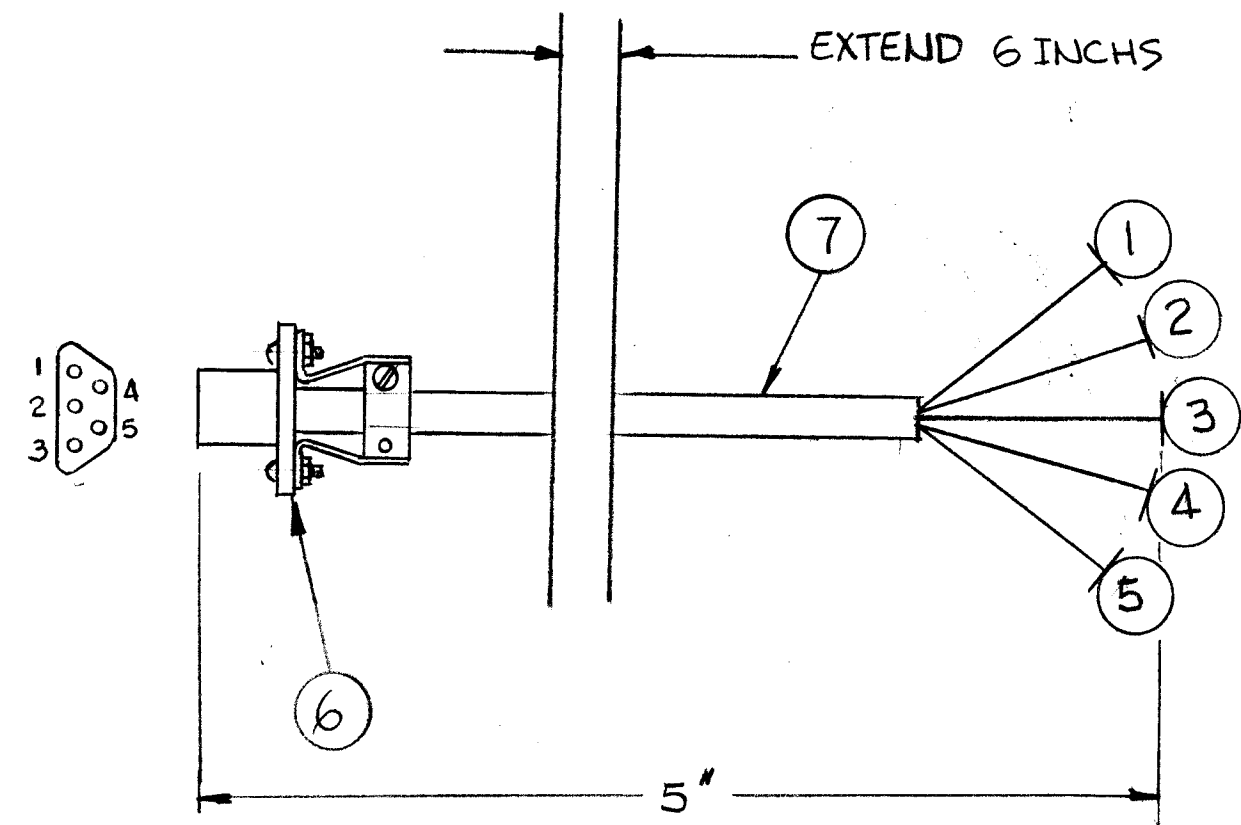


REVISIONS							
E.M.N. NO.	DRAFT	CHKD	ZONE	LTR	DESCRIPTION	DATE	APPROVED
	G.D.L.			Ø	ORIGINAL RELEASE FOR PRODUCTION	1-25-77	*



REQ'D ITEM	PART NUMBER	DESCRIPTION	SYM.
AR 7	PX 100-1-S	INSULATION, SLEEVING	
1	JJ 308	CONNECTOR, MICRO MINIATURE	
AR 5	MWC 27(7)U5	WIRE, ELECTRICAL	PIN 5
AR 4	MWC 27(7)U4		PIN 4
AR 3	MWC 27(7)U3		PIN 3
AR 2	MWC 27(7)U2		PIN 2
AR 1	MWC 27(7)U1	WIRE, ELECTRICAL	PIN 1

LIST OF MATERIAL

1	GPR-110	
QTY / UNIT	MODEL USED ON	ASS'Y NO.
APPLICATION		
	CODE	

NOTICE TO PERSONS RECEIVING THIS DRAWING
 THE TECHNICAL MATERIEL CORPORATION claims proprietary right in the material disclosed hereon. This drawing is issued in confidence for engineering information only and may not be reproduced or used to manufacture anything shown hereon without permission from THE TECHNICAL MATERIEL CORPORATION to the user. This drawing is loaned for mutual assistance and is subject to recall at any time.

UNLESS OTHERWISE SPECIFIED DIMENSIONS ARE IN INCHES AND INCLUDE CHEMICALLY APPLIED OR PLATED FINISHES

DECIMALS: .X ± .05, .XX ± .01, .XXX ± .005
 FRACTIONS: 1/64
 TOLS. ANGLES: 0° -30'

MATERIAL

FINISH

FINAL APPROVAL: *[Signature]* DATE: 1/25/77
 MECH. DES. *[Signature]* DATE
 ELECT. DES. DATE
 CHECKED DATE
 DRAWN: G.D. LUCIA DATE: 3-20-75

THE TECHNICAL MATERIEL CORP.
 MAMARONECK, NEW YORK

CABLE, PRESELECTOR INPUT

SIZE	CODE IDENT. NO.	DWG NO.	ISSUE
B	82679	CA 1778	Ø
SCALE 1:1		SHEET OF	