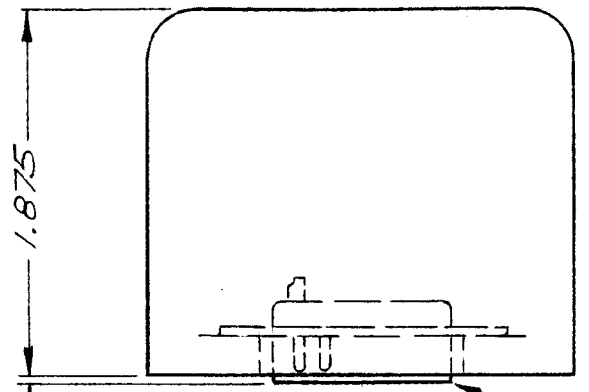
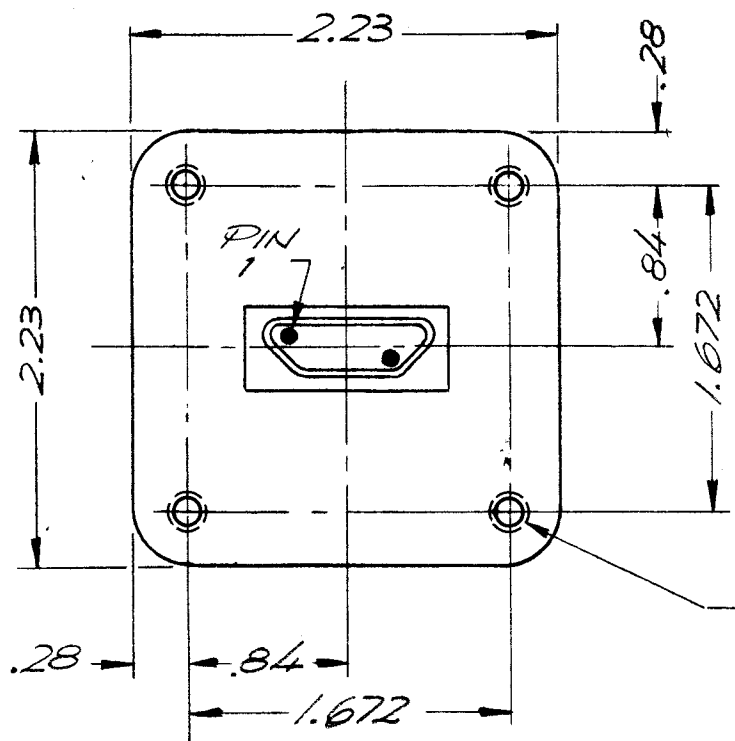


REVISIONS						
ZONE	LTR	DESCRIPTION	DATE	E.M.N.NO	DRAFT	CHKD APPD
	X	EXP. RELEASE	12/12/68		K.H.	
	Ø	ORIG. RELEASE FOR PROD	1.14.68	Ø	R.G.	



.047
(CONNECTOR)

CONNECTOR # DA-15 P
CANNON ELECTRIC
(MATING CONNECTOR)
DA-15 S



MOUNTING
6-32 THD. .19 DEEP
(4 HOLES)

PIN CONNECTIONS	
PIN	FUNCTION
1	SPARE
2	- 28 V D.C. (INTERNALLY CONNECTED)
3	
14	
4	EXTERNAL RELAY (1K)
5	EXTERNAL RELAYS COMMON
6	SPARE
7	SPARE
8	+ 28 V D.C.
9	SPARE
10	SPARE
11	EXTERNAL RELAY (8K)
12	SPARE
13	SPARE
15	INPUT

REQ'D	ITEM	PART NUMBER	DESCRIPTION	SYM.
LIST OF MATERIAL				

AZ 113		
QTY / UNIT	MODEL USED ON	ASS'Y NO.
APPLICATION		
	CODE	

NOTICE TO PERSONS RECEIVING THIS DRAWING
THE TECHNICAL MATERIEL CORPORATION claims proprietary right in the material disclosed hereon. This drawing is issued in confidence for engineering information only and may not be reproduced or used to manufacture anything shown hereon without permission from THE TECHNICAL MATERIEL CORPORATION to the user. This drawing is loaned for mutual assistance and is subject to recall at any time.

UNLESS OTHERWISE SPECIFIED DIMENSIONS ARE IN INCHES AND INCLUDE CHEMICALLY APPLIED OR PLATED FINISHES

DECIMALS .X ± .05	FRACTIONS 1/64
.XX ± .01	TOLS. ANGLES
.XXX ± .005	0° -30'

MATERIAL

FINISH
S401-380(32)

FINAL APPROVAL *SJM* DATE

MECH. DES. DATE

ELECT. DES. *JB* DATE 1-19-68

CHECKED *JB* DATE 12-12-68

DRAWN *L. Hill* DATE 12/12/68

THE TECHNICAL MATERIEL CORP.
MAMARONECK, NEW YORK

AMPLIFIER, MODULE

SIZE B	CODE IDENT. NO. 82679	DWG NO. AZ 115	ISSUE Ø
SCALE 1:1		SHEET OF	