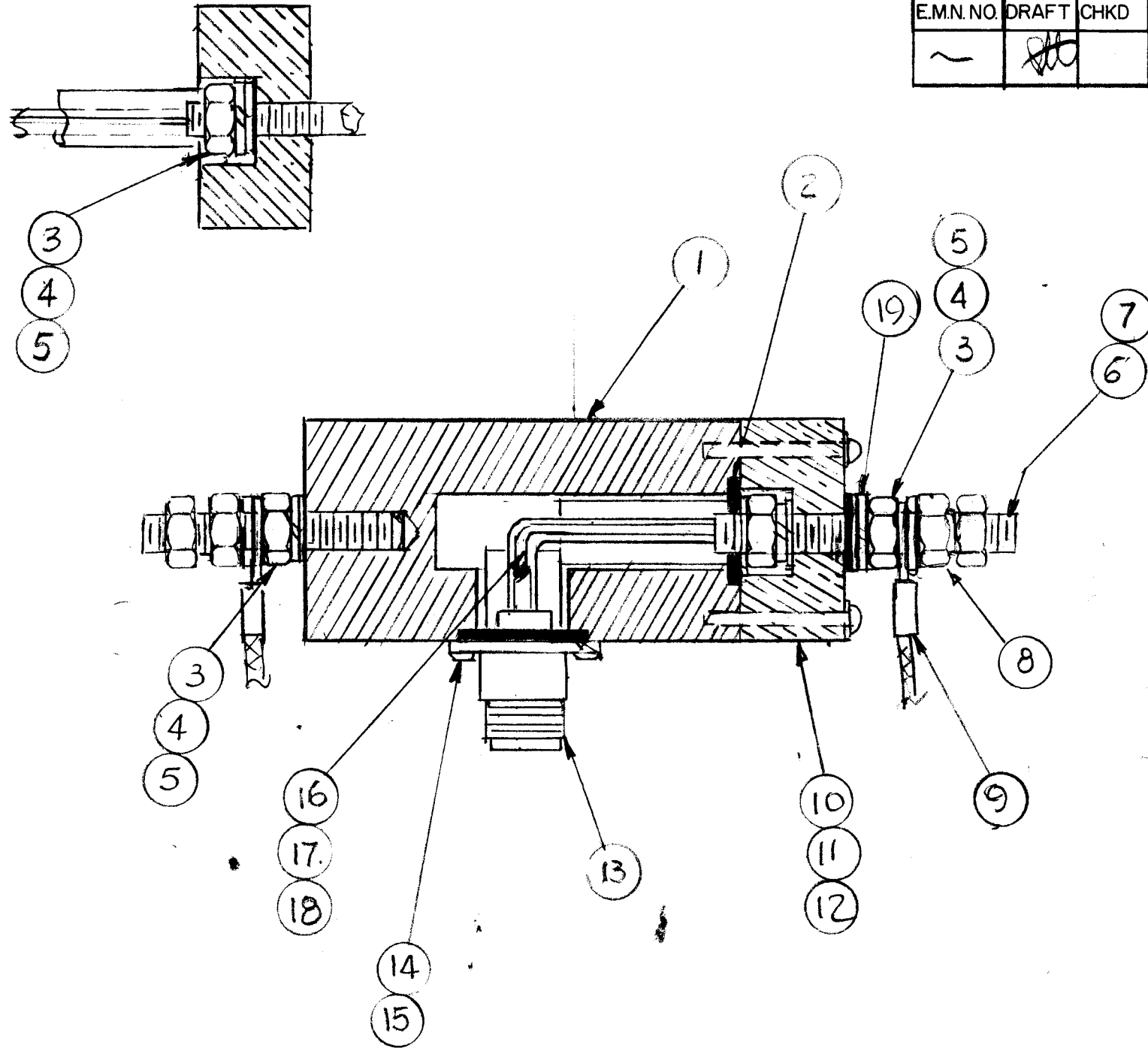


REVISIONS							
E.M.N. NO.	DRAFT	CHKD	ZONE	LTR	DESCRIPTION	DATE	APPROVED
~	<i>[Signature]</i>			Ø	ORIGINAL RELEASE FOR PRODUCTION	5/4/83	



REQ'D	ITEM	PART NUMBER	DESCRIPTION	SYM.
1	19	GA 500R 8-4	RUBBER, WASHER	
X	18	PX 370-31-7-76	INSULATION, SLEEVING	
X	17	PX 370-11-7-76	INSULATION, SLEEVING	
X	16	WI 100-3	BUS, WIRE	
1	15	GA.750R18-4	RUBBER, WASHER	
4	14	SCPO40SS4	SCREW MACHINE	
1	13	UG 58 A3	CONNECTOR, RECEPTACLE	
4	12	FW06 SS	FLAT, WASHER	
4	11	SCPO632SS12	SCREW MACHINE	
1	10	PX 1290	END, SEAL	
2	9	TE III-4	TERMINAL SOLDER LOG	
2	8	SM127-2520SS	NUT, SELFLOCKING	
X	7	BS-100	SOLDER	
2	6	SM2520 BP	ROD, THD	
3	5	LWS 25 MSP	LOCKWASHER	
3	4	FW.100-11-TS	FLAT WASHER	
5	3	NTH2520SR14	NUT, HEX.	
2	2	GA.750R16-4	RUBBER WASHER	
1	1	PM 1607	HOUSING, CONNECTOR	

LIST OF MATERIAL

1	DAC-20	DPA-2
QTY / UNIT	MODEL USED ON	ASS'Y NO.
APPLICATION		
CODE		

**NOTICE TO PERSONS RECEIVING THIS DRAWING**  
 THE TECHNICAL MATERIEL CORPORATION claims proprietary right in the material disclosed hereon. This drawing is issued in confidence for engineering information only and may not be reproduced or used to manufacture anything shown hereon without permission from THE TECHNICAL MATERIEL CORPORATION to the user. This drawing is loaned for mutual assistance and is subject to recall at any time.

UNLESS OTHERWISE SPECIFIED DIMENSIONS ARE IN INCHES AND INCLUDE CHEMICALLY APPLIED OR PLATED FINISHES		FINAL APPROVAL <i>[Signature]</i>	DATE 11/19/82
DECIMALS .X ± .05 .XX ± .01 .XXX ± .005	FRACTIONS 1/64 ANGLES 0° - 30'	MECH. DES.	DATE
MATERIAL		ELECT. DES.	DATE
FINISH		CHECKED	DATE
		DRAWN GIDL	DATE 7-23-82

THE TECHNICAL MATERIEL CORP. MAMARONECK, NEW YORK			
DAC -20 ASS'Y			
SIZE B	CODE IDENT. NO. 82679	DWG NO. AX809	ISSUE Ø
SCALE	SHEET		OF