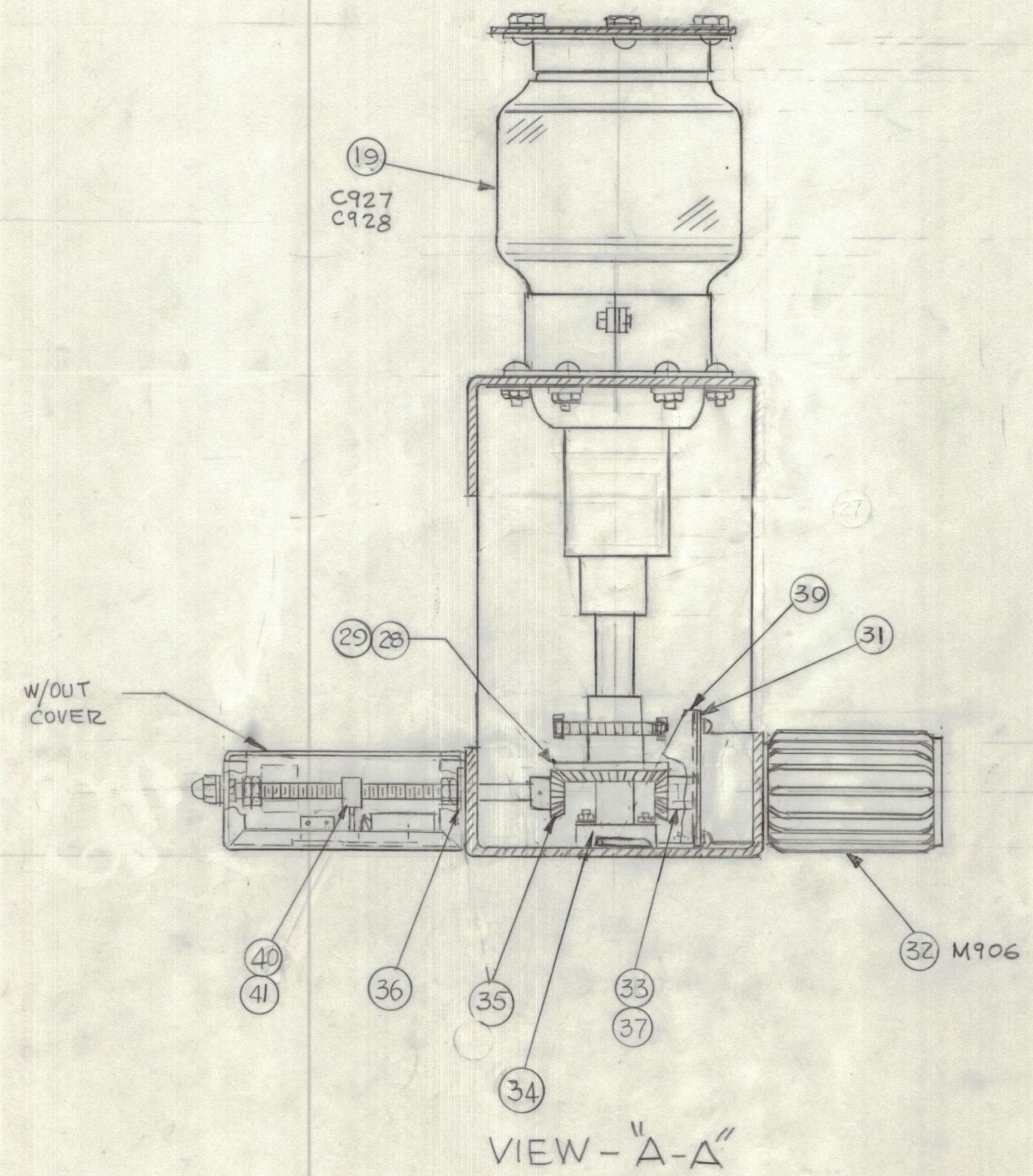
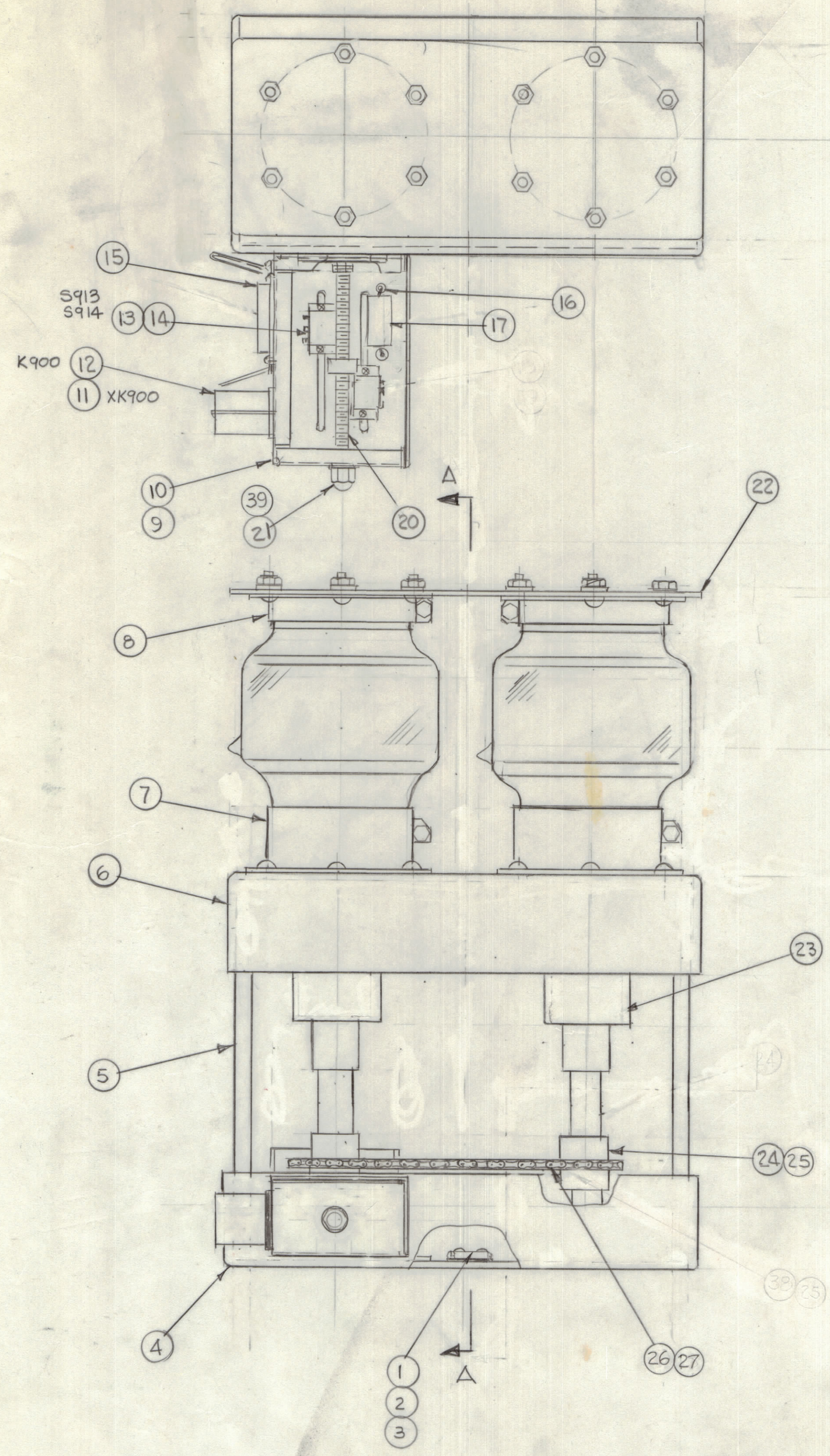


REVISIONS							
E.M.N.O.	DRAFT	CHKD	ZONE	LTR	DESCRIPTION	DATE	APPROVED
2198	XXX			A	ORIGINAL RELEASE FOR PRODUCTION	8-19-81	
22002	G.D.L.			B	Item 11 change from TS171-15 to TS171-3	3-21-82	
				B	ITEM 12 WAS RL156-15	3-8-83	



QTY. REQ.	ITEM	PART NO.	DESCRIPTION	SYMBOL
1	41	PM1323-3	SET, SCREW	
1	40	PM1516	COLLAR, THD	
1	39	BB117-5	BEARING, NYLON	
1	38			
1	37	MC126-B1	COUPLING, SHAFT	
1	36	MS6943	PLATE, MTG. SHAFT	
1	35	GR141-1	GEAR, BEV	
2	34	PM533-2	BLOCK, BRG	
1	33	GR245	GEAR, BEV	
1	32	MO129	MOTOR, CAP DR	
1	31	MS7063	PLATE, MTG MOTOR	
1	30	MS7062	BRACKET, MTG	
4	29	PN114-5	PIN, SPR.	
1	28	GR231-3	GEAR, & SPRK ASSY	
1	27	CJ102-2	CHAIN, ROLL, LING	
1	26	CJ102-1-13-75	CHAIN, ROLLER	
3	25	SLK08325P4	SETScrew	
2	24	GR148-1	SPRK, WHL	
2	23	PM524	SHAFT, ASSY	
1	22	MS5225	PLATE, CONTACT	
1	21	NTC2520BNR	NUT, CAP	
1	20	PM1598	SHAFT, THREAD	
2	19	CB155	CAP, VAR. VAC	
-	18			
2	17	CN114-220-4J	CAPACITOR FXD	
2	16	TE115-2	TERMINAL TURRET	
1	15	JJ313-1	CONNECTOR, RECP	
2	14	MS4752-2	PLATE, MTG SWITCH	
2	13	SW353-3	SWITCH, SENSE	
1	12	RL156-10	RELAY	
1	11	TS171-3	SKT, RELAY	
1	10	MS6936	COVER, SW ASSY	
1	9	MS6902	BRACKET SW, MTG.	
2	8	PO185-6S	FLANGE, VAC. CAP	
2	7	PO185-7S	FLANGE, VAC. CAP	
1	6	MS2362	CAPACITOR, MNT TOP	
2	5	PX433	BD, R & LEFT SIDE	
1	4	MS1502	CAPACITOR, MTG. BOT.	
2	3	MS154-1	PLATE, MTG. TERM.	
1	2	PX336-3	INSULATION, TERM. STRIP	
1	1	TM102-3	TERMINAL, STRIP	

VIEW - "A-A"

1	MFTA/10K	AX5240
QTY / UNIT	MODEL USED ON	ASS'Y NO.
APPLICATION		
CODE		
<small>NOTICE TO PERSONS RECEIVING THIS DRAWING</small> <small>THE TECHNICAL MATERIEL CORPORATION claims proprietary right in the material disclosed hereon. This drawing is issued in confidence for engineering information only and may not be reproduced or used to manufacture anything shown hereon without permission from THE TECHNICAL MATERIEL CORPORATION to the user. This drawing is loaned for mutual assistance and is subject to recall at any time.</small>		

UNLESS OTHERWISE SPECIFIED DIMENSIONS ARE IN INCHES AND INCLUDE CHEMICALLY APPLIED OR PLATED FINISHES	FINAL APPROVAL	DATE	THE TECHNICAL MATERIEL CORP. MAMARONECK, NEW YORK TUNE CAPACITOR ASSEMBLY		
TOLERANCES ON DECIMALS .X ± .05 FRACTIONS ± 1/64 ANGLES ± 0° -30'	MECH. DES.	DATE			
	ELECT. DES.	DATE			
	CHECKED	DATE			
	DRAWN	DATE	SIZE	CODE IDENT NO. DWG NO.	ISSUE
	G.D.L.	4-30-81	D	82679 AX805	B
MATERIAL			SCALE	1:1	SHEET OF
FINISH					