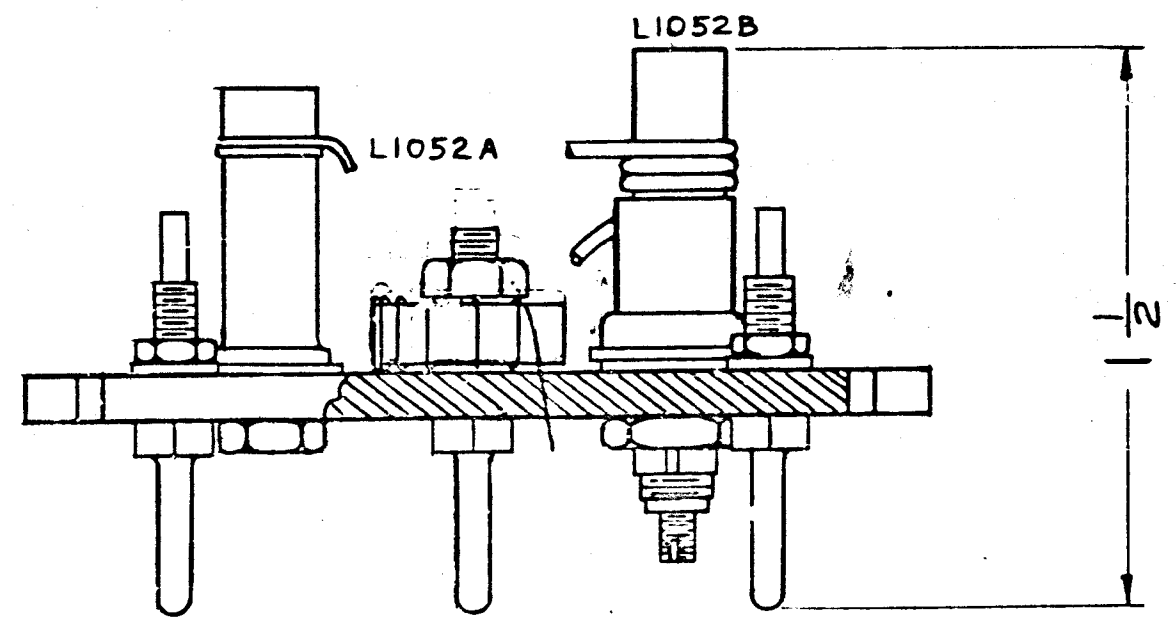
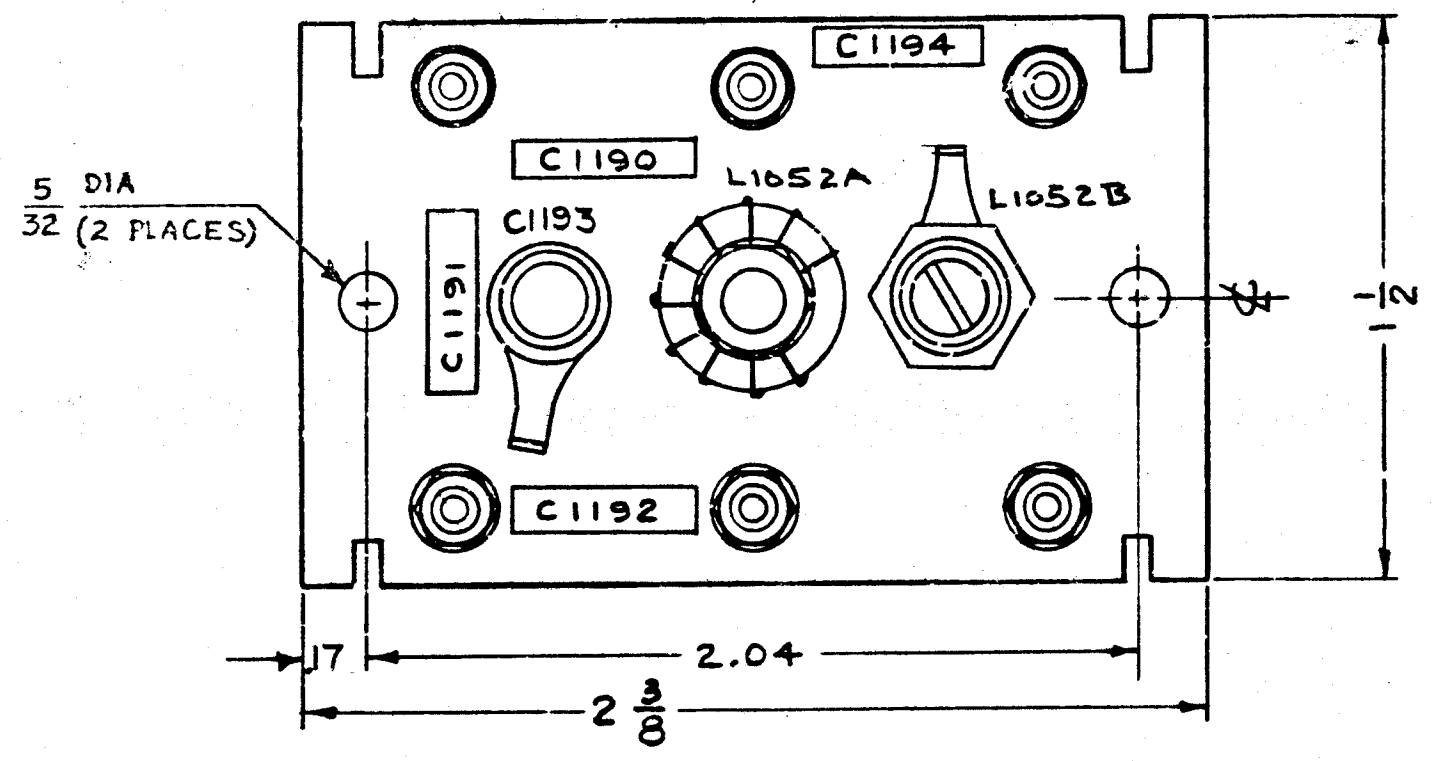


REVISIONS

SYM	DESCRIPTION	DATE	ENG. NO.	DRAFT	CHKD	APPD
-----	-------------	------	----------	-------	------	------

AX-376



**NOTICE TO PERSONS RECEIVING THIS DRAWING**

THE TECHNICAL MATERIEL CORPORATION claims proprietary right in the material disclosed hereon. This drawing is issued in confidence for engineering information only and may not be reproduced or used to manufacture anything shown hereon without permission from THE TECHNICAL MATERIEL CORPORATION to the user. This drawing is loaned for mutual assistance and is subject to recall at any time.

Property of:  
**THE TECHNICAL MATERIEL CORPORATION**  
 MAMARONECK, NEW YORK

REQ'D.	ITEM	PART NUMBER	DESCRIPTION	SYMBOL
<b>LIST OF MATERIAL</b>				
MATERIAL			<b>THE TECHNICAL MATERIEL CORP.</b> MAMARONECK, NEW YORK	
FINISH			TITLE	
			<b>OSC. BOARD ASSY, BAND # 8</b>	
UNLESS OTHERWISE SPECIFIED DIMENSIONS ARE IN INCHES AND INCLUDE CHEMICALLY APPLIED OR PLATED FINISHES			DRAWN T. RAMIREZ CHECKED ELEC. DES. J. LANGER MECH. DES. DATE 12-1-62 DATE 12/5/62 DATE 12/9/62	FINAL APPROVAL DATE DATE SHEET
DECIMALS X ± .05 XX ± .01 XXX ± .005			FRACTIONS ± 1/64 ANGLES ± 0° 30'	TOLERANCES DATE REV. LTR.

1	HFR-1/T	ASSEMBLY NO.
CITY/UNIT	MODEL USED ON	
SCALE	CODE	4A-2370
THE CONTENTS OF THIS DRAWING ARE THE EXCLUSIVE PROPERTY OF THE TECHNICAL MATERIEL CORP. ITS UNAUTHORIZED USE OR REPRODUCTION IN WHOLE OR IN PART IS STRICTLY FORBIDDEN.		

NOTES