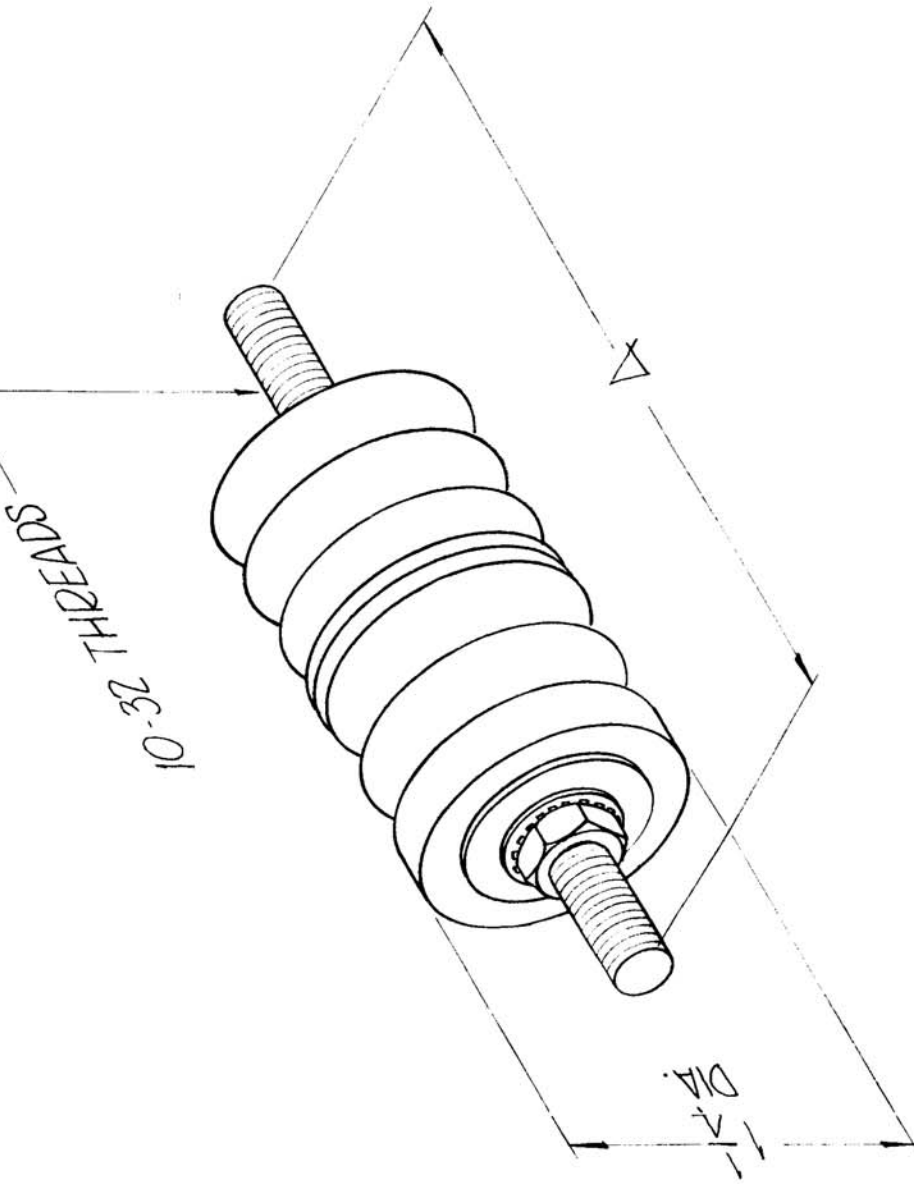


<p>THE CONTENTS OF THIS DRAWING ARE THE EXCLUSIVE PROPERTY OF THE TECHNICAL MATERIEL CORP. ITS UNAUTHORIZED USE OR REPRODUCTION IN WHOLE OR IN PART IS STRICTLY FORBIDDEN.</p>		<p>USED ON</p>	
REQ. PER UNIT	MODEL	ASSY. NO.	DATE
1	AX-236		12-11-61
1	AX-238		12-11-61

AX-314



- PARTS LIST —
- (1) 10-32 THREADED, BRASS, NICKEL PLATED ROD.
 - (2) STEATITE INSULATORS.
 - (2) NEOPRENE GASKETS.
 - (2) FIBER WASHERS.
 - (2) FLAT WASHERS.
 - (2) EXTERNAL TOOTH LOCKWASHERS.
 - (1) TEFLON INSULATOR.
 - (2) 10-32 HEXAGON NUTS.

DESCRIPTION			SYMBOL	
THE TECHNICAL MATERIEL CORP. MAMARONECK, NEW YORK				
FEED-THRU INSULATED				
SYM	DESCRIPTION	DATE	CHECKER	ENG. APP.
			A-2250	
UNLESS OTHERWISE SPECIFIED: DIMENSIONS ARE IN INCHES TOLERANCES ON FRAC. ± 1/64 DEC. ± .005 ANGLES ± 1/2°				
REQ. ITEM	PART NO.	STOCK SIZE	MATERIAL	TYPE & TEMPER
				HEAT TREAT. SPEC.
				FINISH & SPEC. NO.
DRAWN		CHECKED		FINAL APPROVAL
John C. Biele		Huse		AX-314
ELEC. DES. APP.		MECH. DES. APP.		