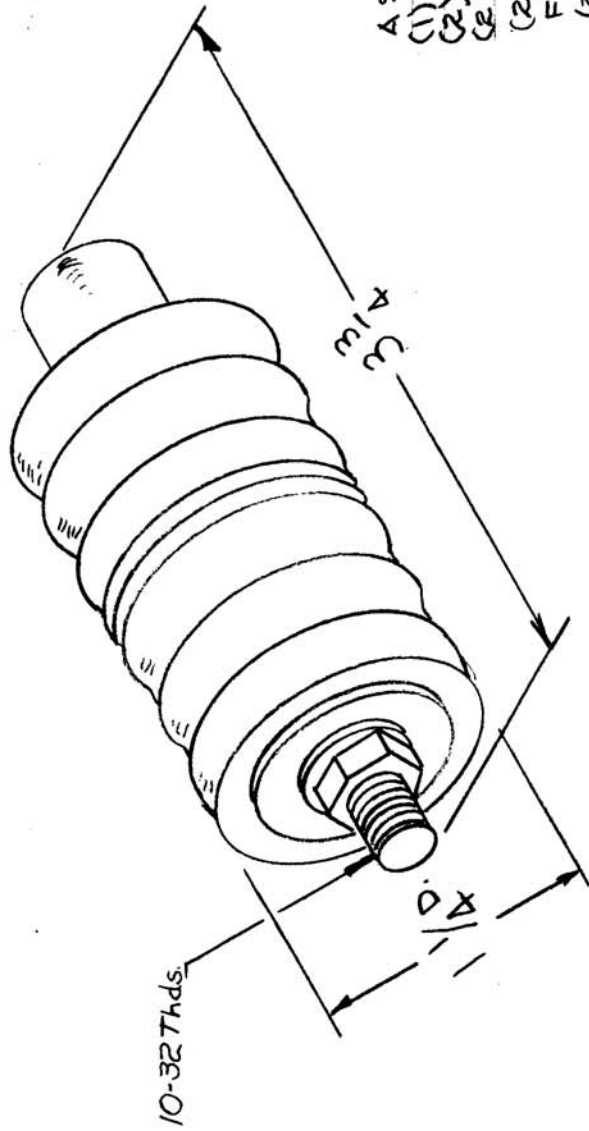


REQ. PER UNIT	MODEL	USED ON	DATE
7	GPT-16K	AX-103	9-23-59
8	GPT-40K	AP-105	1-20-60
3	GPT-40K	AX-212	1-20-60

AX-172 **B**



ASSEMBLY CONSISTS OF:  
 (1) STUD (W/BUTTON),  
 (2) STEATITE INSULATORS,  
 (2) NEOPRENE GASKETS,  
 (2) FIBER WASHERS,  
 FLAT WASHER & HEX NUT  
 (2) TEFLON INSULATORS

REQ. ITEM	PART NO.	DESCRIPTION	SYMBOL
B 1		3-3/8 DIM WAS 3-3/8 TEFLON INSULATORS(2) DATA ADDED	THE TECHNICAL MATERIEL CORP. MAMARONECK, NEW YORK
A 1		DIM. 10-32 THDS. ADDED	FEED-THRU, INSULATED
ISSUE ITEM	CHANGED FROM	TOLERANCES	
		SCALE: NPL 14-1744	AC 9/15/59 <i>Jude</i>
DEC. DIM. ±	FRAC. DIM. ±	ANGULAR DIM. ±	
			DRAWN <i>Call</i> CHECKED <i>Call</i> FINAL APPROVAL <i>Call</i>
			ELEC. DES. APP MECH. DES. APP