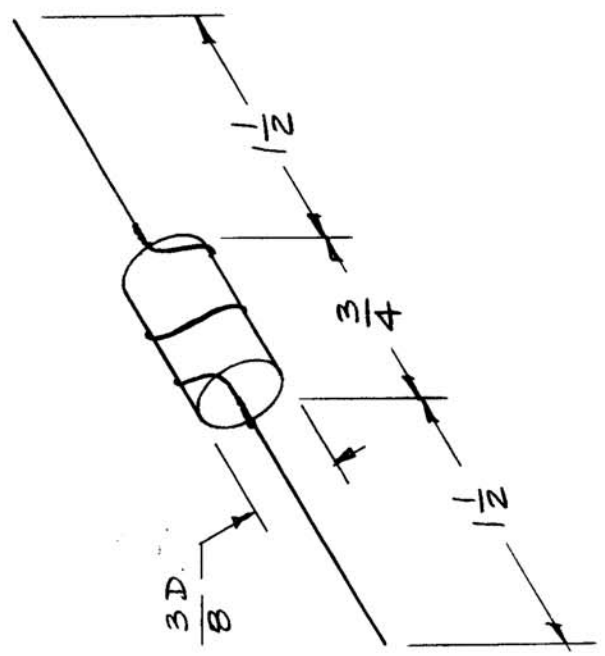


REQ. PER UNIT	USED ON		DATE
	MODEL	ASSY. N.	
1	SBE-1	PS 101	9-23-59
1	RFA-1	PS 202	9-23-59
1	SBE-3	AX-204	11-30-59

AX-164

Form- RC42GF120K
Turns - 2 turns #18 wire



REQ. ITEM	PART NO.	DESCRIPTION	SYMBOL
		THE TECHNICAL MATERIEL CORP.	
		MAMARONECK, NEW YORK	
		SUPPRESSOR, PARASITIC	
ISSUE ITEM	CHANGED FROM	DATE	CH. NO.
TOLERANCES			
SCALE: 1A 1453			
MAXIMUM ALLOWABLE TOLERANCES HAVE BEEN DETERMINED AND ANY DEVIATIONS WILL BE CAUSE FOR REJECTION. REMOVE ALL BURRS AND SHARP EDGES			
DEC. DIM. ±	DIM.	FOR	REF.
FRAC. DIM. ±			
ANGULAR DIM. ±			
TYPE & TEMPER	HEAT TREAT. SPEC.	MATERIAL	FINISH & SPEC. NO.
DRAWN	CHECKED	DATE	FINAL APPROVAL
		16/9/59	APP
ELEC. DES. APP.	MECH. DES. APP.	AX-164	