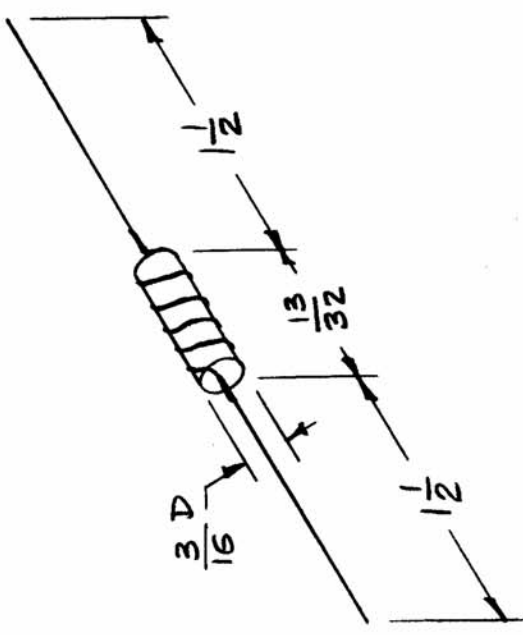


AX-163 B

USED ON
 ASS'Y. NO. DATE
 RFA-1 9-23-56

REQ. PER UNIT
 1

Form - RC20GF470J
 Turns - 5 turns of #22 wire
 ± 1/2 Turn



REQ. ITEM	PART NO.	DESCRIPTION	SYMBOL
B		THE TECHNICAL MATERIEL CORP. MAMARONECK, NEW YORK	
A		SUPPRESSOR, PARASITIC	
ISSUE ITEM	CHANGED FROM		
TOLERANCES DEC. DIM. ± DIM. FRAC. DIM. ± FOR ANGULAR DIM. ± REF.			
CHGD RC20GF470K 10J	8-8-66	RME	
ADD. ± 1/2 TURN	6-24-66	HLA	
DATE	CH. NO.	DRAFTS	CHECKER
6-24-66	16459	HLA	RC20DB
SCALE:	1A1546-2		
MAXIMUM ALLOWABLE TOLERANCES HAVE BEEN DETERMINED AND ANY DEVIATIONS WILL BE CAUSE FOR REJECTION. REMOVE ALL BURRS AND SHARP EDGES			
TYPE & TEMPER	HEAT TREAT. SPEC.	DRAWN	CHECKED
		16/1/59	JDe
MATERIAL		FINAL APPROVAL	
		AMB	
FINISH & SPEC. NO.		AX-163 B	
ELEC. DES. APP.		MECH. DES. APP.	