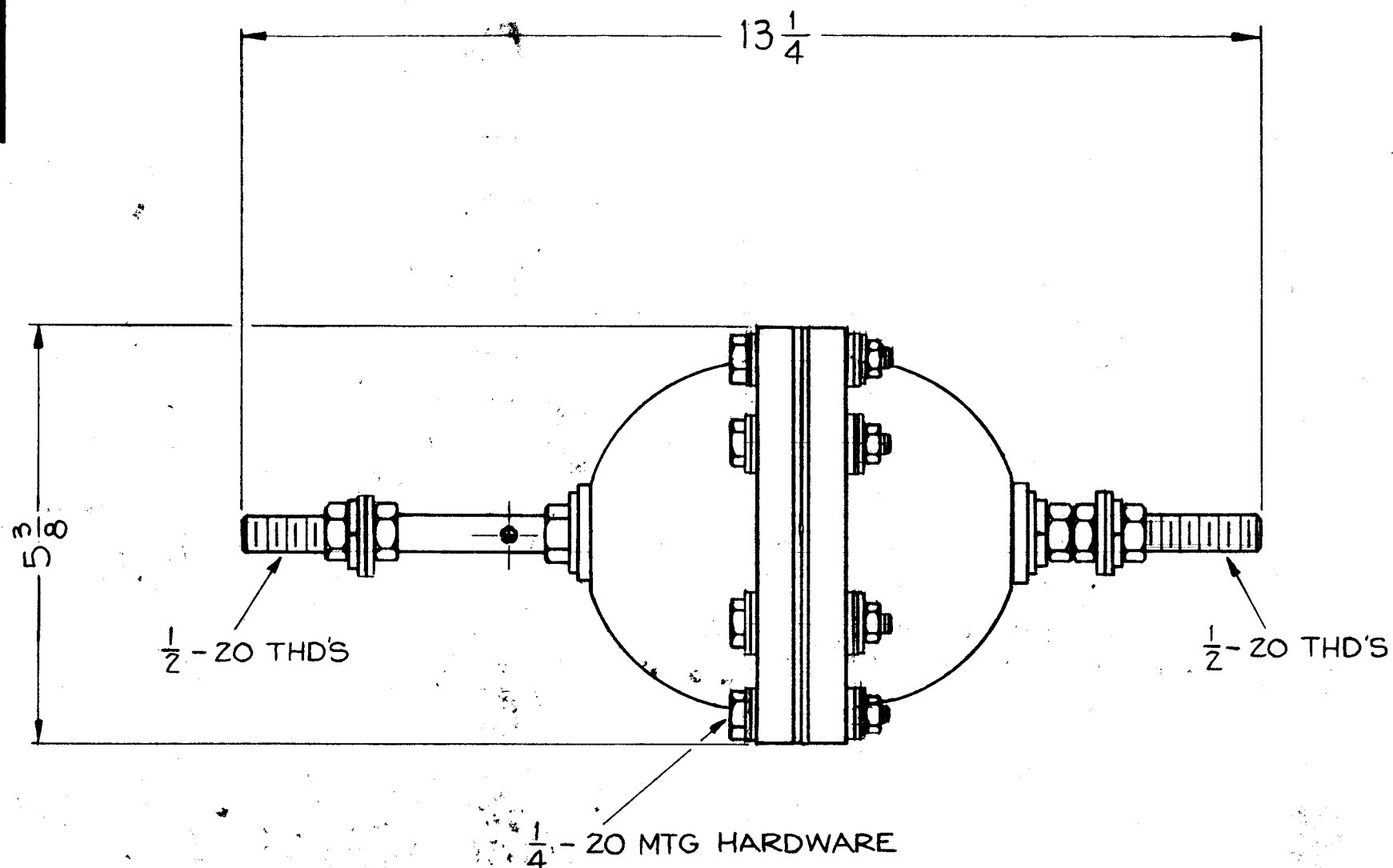


AX-159



BOWL INSULATORS ~ CERAMIC, GLAZED, EXCEPT BASE AND INSIDE

ANTENNA STUD ~ BRASS, SILVER PLATED

HARDWARE ~ BRASS, NICKEL PLATED

THIS UNIT CONSISTS OF THE FOLLOWING:

(2) ~ INSULATORS, FLANGED, BOWL TYPE

(16) ~ GASKETS

(18) ~ FLAT WASHERS

(9) ~ LOCKWASHERS

(11) ~ HEXAGON NUTS (DOUBLE CHAMFER)

(6) ~ HEXAGON HEAD MACHINE SCREWS

(1) ~ ANTENNA STUD ASS'Y

ISSUE	ITEM	CHANGED FROM	DATE	CH. NO.	DRAFTS	CHECKER	ENG. APP.
TOLERANCES			SCALE: NPL 2A-1737				
DEC. DIM. ±			MAXIMUM ALLOWABLE TOLERANCES HAVE BEEN DETERMINED AND ANY DEVIATIONS WILL BE CAUSE FOR REJECTION: REMOVE ALL BURRS AND SHARP EDGES				
FRAC. DIM. ±							
ANGULAR DIM. ±							

2	GPT-10K	AX-166		9-15-59
REQ. PER UNIT	MODEL	PROJECT NO.	SY. NO.	DATE
USED ON				

REQ. ITEM	PART NO.	DESCRIPTION	SYMBOL
THE TECHNICAL MATERIEL CORP. MAMARONECK, NEW YORK			
INSULATOR BOWL ASS'Y			
MATERIAL		J.C. Biele	<i>[Signature]</i>
TYPE & TEMPER	HEAT TREAT. SPEC.	DRAWN	CHECKED
FINISH & SPEC. NO.		ELEC. DES. APP.	MECH. DES. APP.
			AX-159