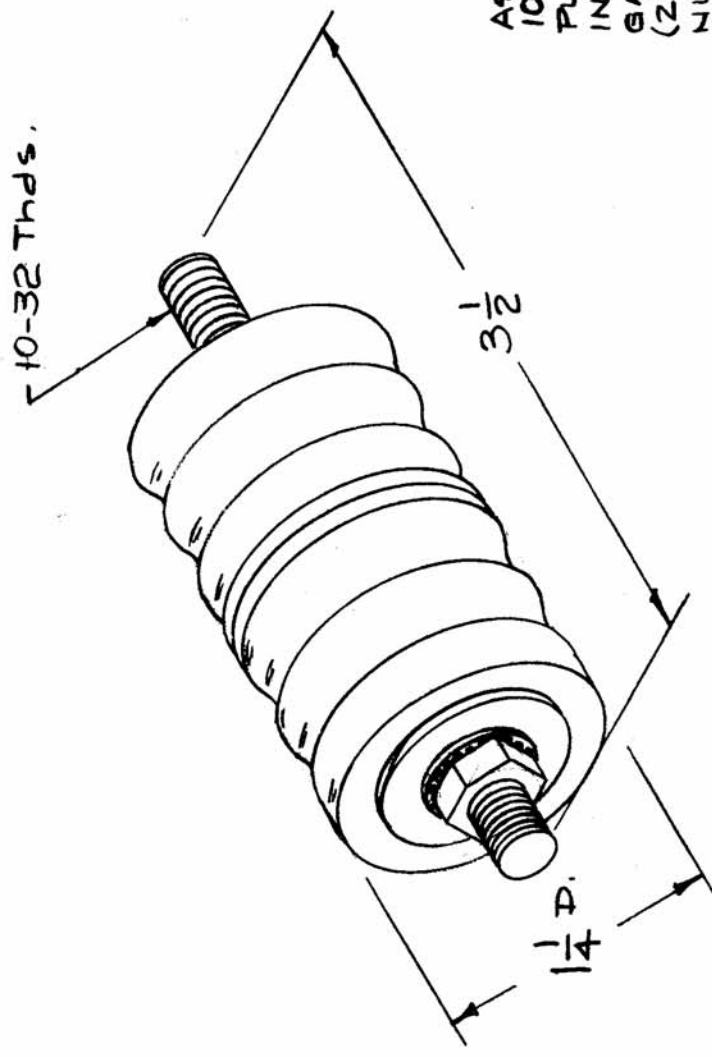


REQ. UNIT	USED ON	MODEL	ASBY. NO.	DATE
6		AX-103		
3		AT-100		
		AX-137		

AX-152 B



ASSEMBLY CONSISTS OF
 10-32 THD. BRASS, NICKEL
 PLATED ROD WITH STEATITE
 INSULATORS (2), NEOPRENE
 GASKETS (2), FIBER WASHERS
 (2), FLAT WASHERS (2), HEX.
 NUTS (2) Teflon Insulator (1),
 Ext. Lockwashers (2).

REQ. ITEM	PART NO.	DESCRIPTION	SYMBOL
B		THE TECHNICAL MATERIEL CORP. MAMARONECK, NEW YORK	
A		FEEDTHRU, INSULATED	
ISSUE ITEM	CHANGED FROM	MATERIAL	
DEC. DIM. ±		TYPE & TEMPER	DRAWN
FRAC. DIM. ±		HEAT TREAT. SPEC.	CHECKED
ANGULAR DIM. ±		FINISH & SPEC. NO.	ELEC. DES. APP. MECH. DES. APP.

2 ON NOTE ADDED EXT. LOCKWASHERS
 ON NOTE TEFLON INS. WTR 2 PER
 TEFLON INSULATORS
 1
 2 ADDED TO DATA
 1 10-32 THDS WAS 1/4-20

DATE 6-20-61
 8-15-60
 CH. NO. 5087
 2767
 DRAFTS N.A.P.
 R.A.
 CHECKER J.P.B. 15
 J.C.B. 10
 ENG. APP. 1A-1736

SCALE:
 MAXIMUM ALLOWABLE TOLERANCES HAVE
 BEEN DETERMINED AND ANY DEVIATIONS
 WILL BE CAUSE FOR REJECTION.
 REMOVE ALL BURRS AND SHARP EDGES

10-32 Thds.
 1/4"
 3 1/2