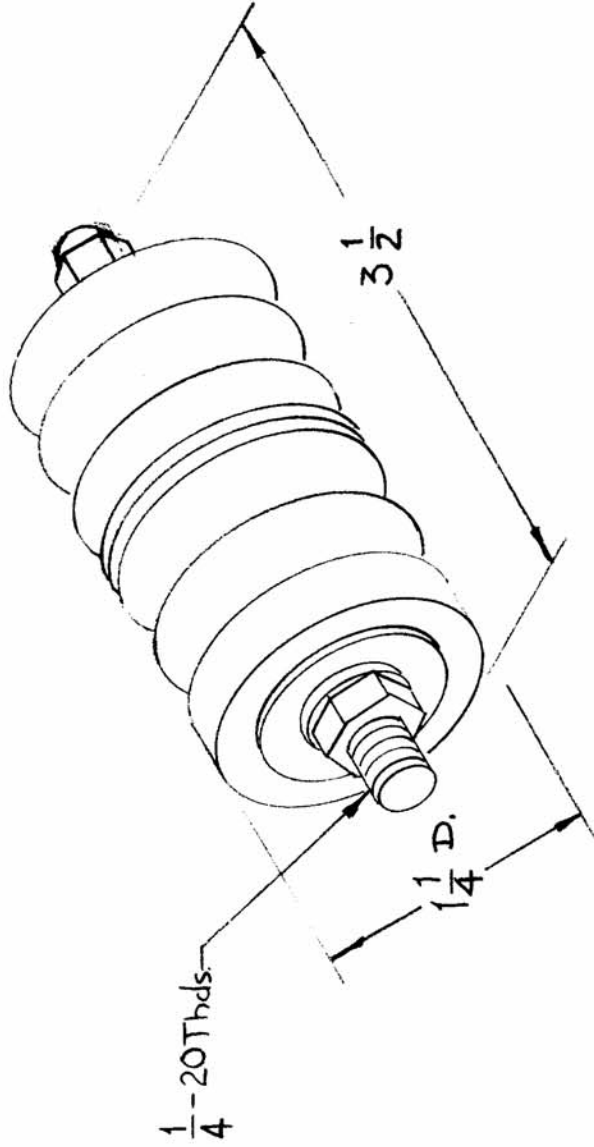


REQ. UNIT	USED ON	AX-150	A
2	ASSY. NO.	AK-109	
	DATE		



ASSEMBLY CONSISTS OF
 1/4-20 THDS. BRASS, NICKEL
 PLATED ROD WITH STEATITE
 INSULATORS (2), SILICONE
 GASKETS (2), FIBER WASHERS
 (2), FLAT WASHERS (2), HEX.
 NUTS (1), CAP NUTS (1).

REQ. ITEM	PART NO.	DESCRIPTION	SYMBOL
		THE TECHNICAL MATERIEL CORP. MAMARONECK, NEW YORK	
		FEEDTHRU, INSULATED	
		SHORTING RELAY	
		DRAWN 8-31-59	
		CHECKED	
		FINAL APPROVAL	
		ELEC. DES. APP. MECH. DES. APP.	
		FINISH & SPEC. NO.	AX-150
			A

ISSUE ITEM: A 1 SILICONE GASKET WAS NEOPRENE

CHANGED FROM: 11-3-59

DATE: 1/5/54

DRAFTS: DM

CHECKER: [Signature]

ENG. APP.:

SCALE: A-1734

TOLERANCES: MAXIMUM ALLOWABLE TOLERANCES HAVE BEEN DETERMINED AND ANY DEVIATIONS WILL BE CAUSE FOR REJECTION. REMOVE ALL BURRS AND SHARP EDGES

DEC. DIM. ±

FRAC. DIM. ±

ANGULAR DIM. ±