

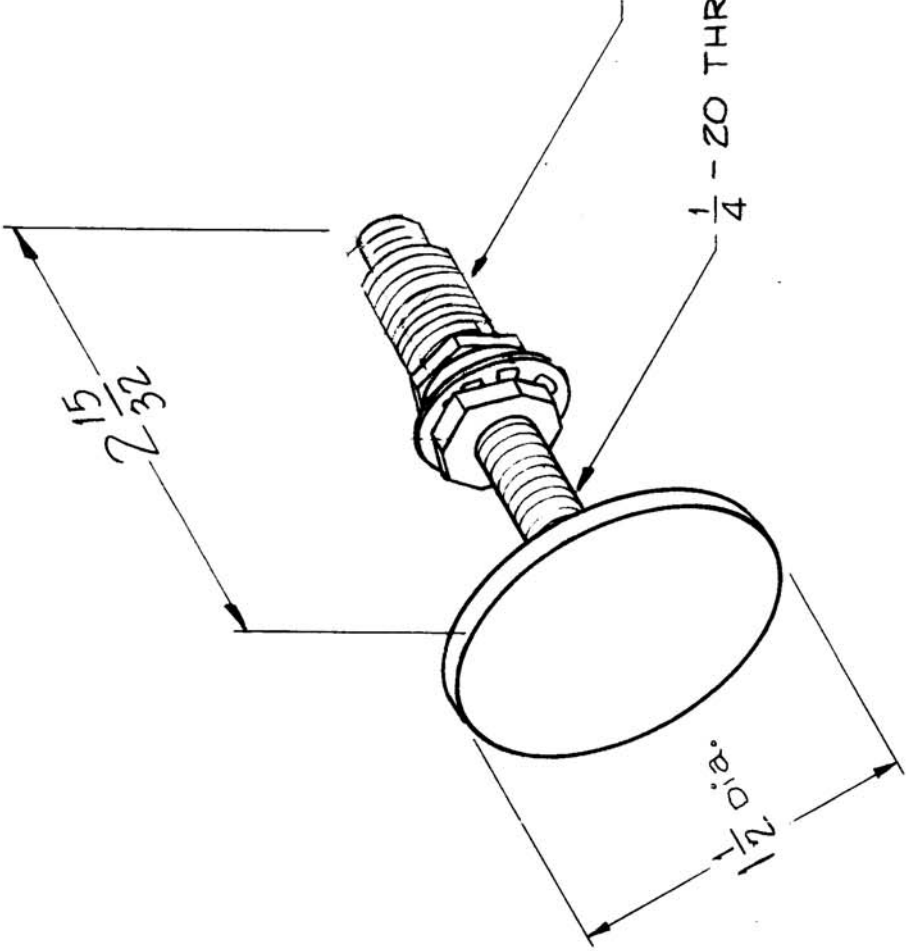
REQ. PER UNIT	MODEL	USED ON ASSY. NO.	DATE
1	RFB-1	AC-113	5-27-59
	RFC-1	AC-113	11-22-60
	RFD-1	AC-113	12-2-60

AX-132 A

ASSEMBLY CONSISTS OF NEUTRALIZING PLATE, PANEL BUSHING, ONE 3/8 INTERNAL TOOTH LOCKWASHER & ONE 3/8-32 HEXAGON NUT

MAT'L ~ BRASS, FINISH ~ SILVER PLATED.

3/8 - 32 THREADS ~ CL-2
 1/4 - 20 THREADS ~ CL-2



REQ. ITEM	PART NO.	DESCRIPTION	SYMBOL
		THE TECHNICAL MATERIEL CORP. MAMARONECK, NEW YORK	
		NEUTRALIZING PLATE ASSY	
J.C. BIELE		DRAWN	FINAL APPROVAL
		CHECKED	
		ELEC. DES. APP. / H. DES. APP.	AX-132 A

ISSUE ITEM	CHANGED FROM	DATE	CH. NO.	DRAFTS	CHECKER	ENG. APP.
A 1	0 1/4-20 Hex Nut Deleted	12-21-60	3780	RU	qcb	

SCALE: 1A-1717

TOLERANCES
 DEC. DIM. ±
 FRAC. DIM. ±
 ANGULAR DIM. ±

MAXIMUM ALLOWABLE TOLERANCES HAVE BEEN DETERMINED AND ANY DEVIATIONS WILL BE CAUSE FOR REJECTION. REMOVE ALL BURRS AND SHARP EDGES