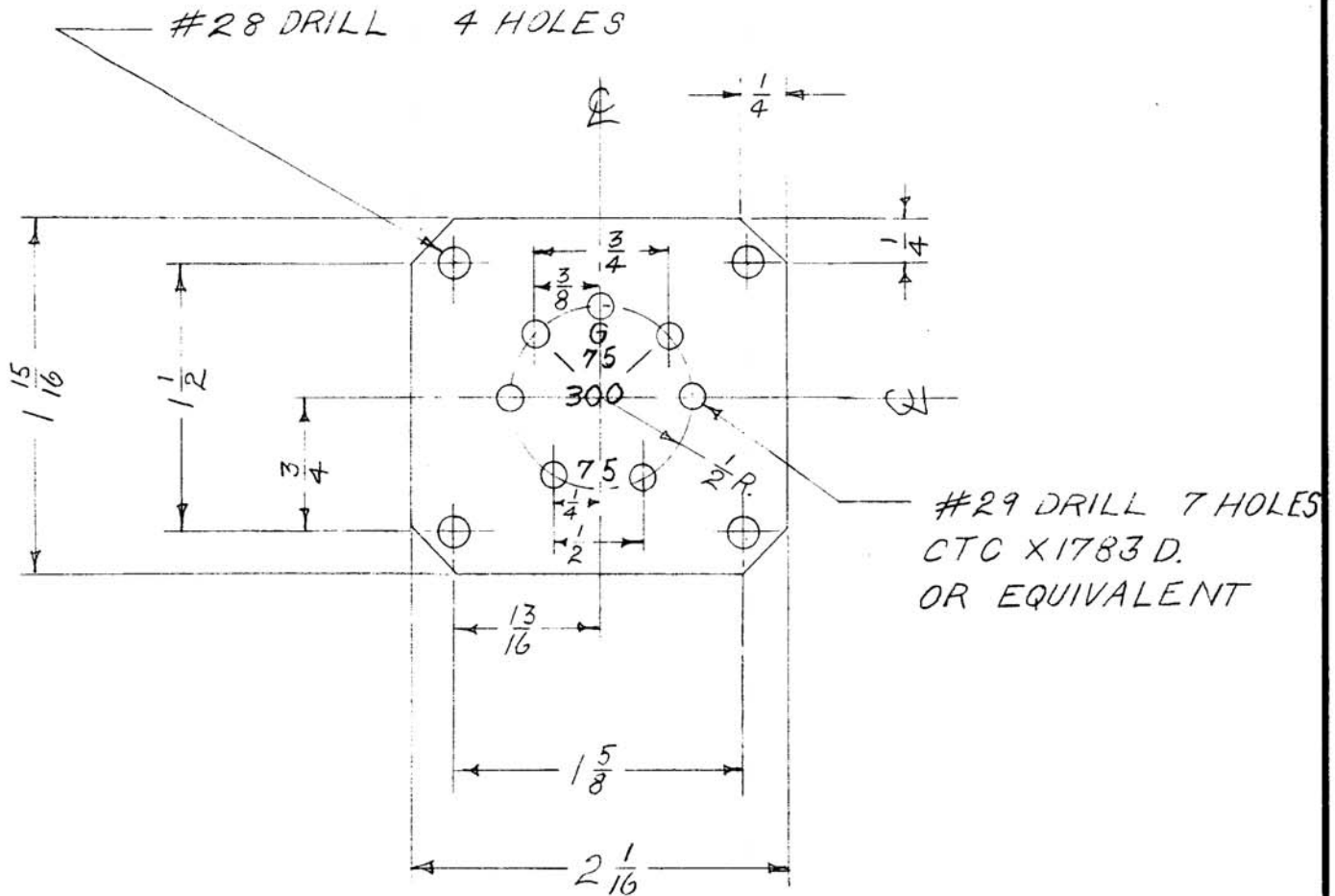


A-664



MATERIAL: 1/8 THICK NATURAL XXXP LAMINATED PHENOLIC.

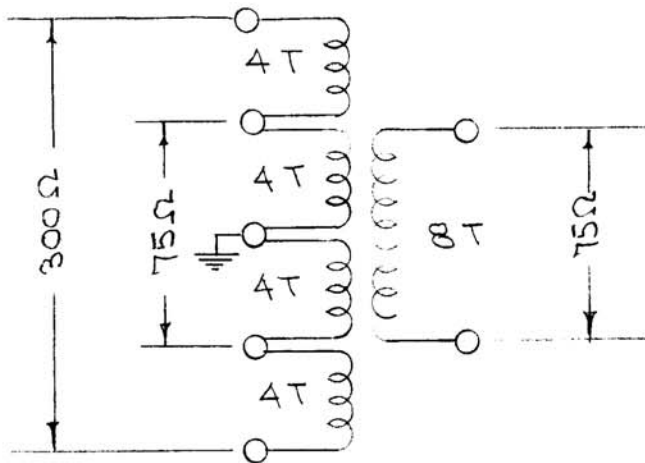
**NOT TO BE RELEASED
W/O AUTHORIZATION**

AUTH. BY.....
DATE:

WAS AMMO 33
1/29/54

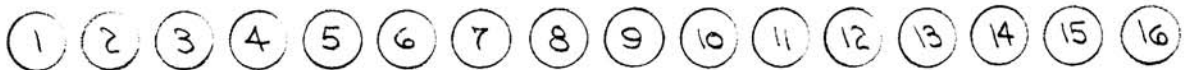


DATE 7-17-52	TERMINAL BOARD TR-017	THE TECHNICAL MATERIEL CORPORATION MAMARONECK, NEW YORK	
DRN. E.M.B.		SHEET 1 OF 2	NO. A-664
CHKD. AMP			
APPD. PJB			



CORE - FERAMIC (CI-100-2)
 WIRE - #30 COTENAMEL
 (WI-102-9)

75 Ω WINDING
 SECONDARY



300 Ω WINDING PRIMARY

75 Ω SECONDARY TO BE WOUND OVER PRIMARY
 SYMETRICAL ABOUT GROUND CENTER TAP.

NOTE: REF. DWG. NO. ANM033

USE STANDARD ANTENNA COUPLER CONTAINER;
 POT IN WAX COMPOUND.

**NOT TO BE RELEASED
 W/O AUTHORIZATION**

AUTH. BY.....

DATE:.....

WAS AEM 103

127	7-17-52
PROJECT No.	DATE

DATE 2-11-54	ANTENNA COUPLER TR-017 2-30 M.C.
DRN. REDRAWN CDD	
CHKD. <i>JAL</i>	
APPD.	

THE TECHNICAL MATERIEL CORPORATION	
MAMARONECK, NEW YORK	
SHEET 2 OF 2	NO. A-66A