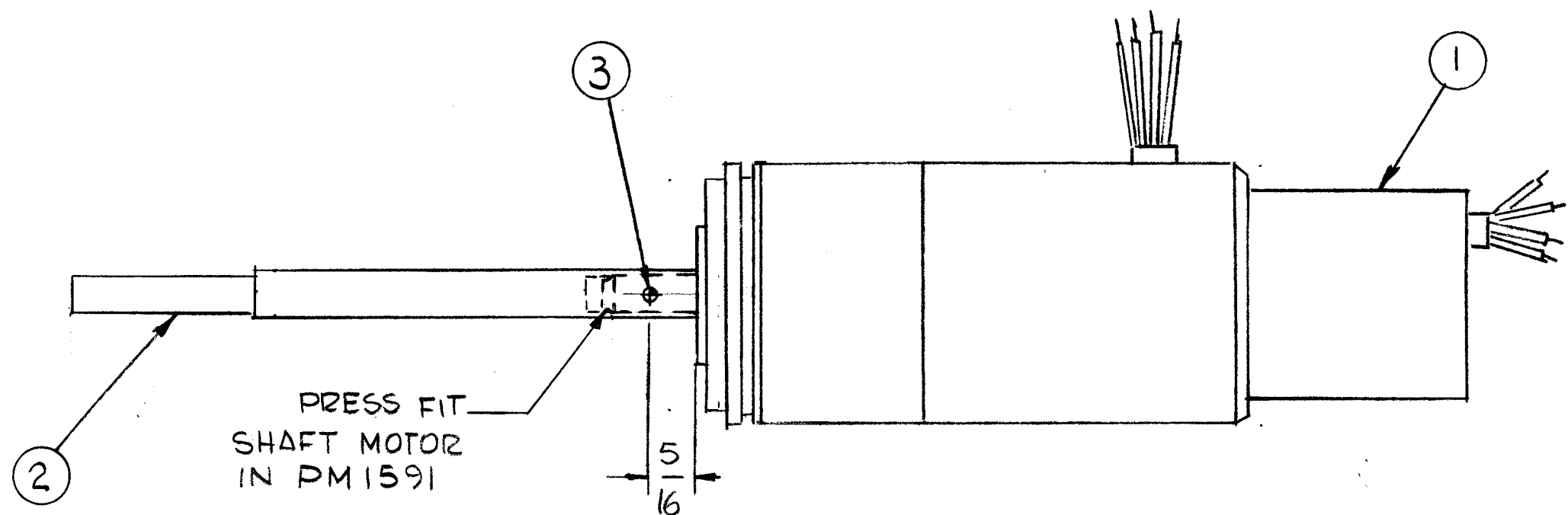


REVISIONS							
E.M.N. NO.	DRAFT	CHKD	ZONE	LTR	DESCRIPTION	DATE	APPROVED
	dw			Ø	ORIGINAL RELEASE	9-26-80	



REQ'D	ITEM	PART NUMBER	DESCRIPTION	SYM.
1	3	PN59-062-	PIN SPRING	
1	2	PM1591	EXTENSION SHAFT	
1	1	MO126	MOTOR GENERATOR	

LIST OF MATERIAL

1	HFTA-10K	4X5218
QTY / UNIT	MODEL USED ON	ASS'Y NO.
APPLICATION		
	CODE	

UNLESS OTHERWISE SPECIFIED DIMENSIONS ARE IN INCHES AND INCLUDE CHEMICALLY APPLIED OR PLATED FINISHES		FINAL APPROVAL <i>DR</i>	DATE 10/26/80
DECIMALS .X ± .05 .XX ± .01 .XXX ± .005		ELECT. DES.	DATE
FRACTIONS 1/64 ANGLES 0° -30'		CHECKED	DATE
MATERIAL		DRAWN G.D.L.	DATE 1-17-77
FINISH			

THE TECHNICAL MATERIEL CORP. MAMARONECK, NEW YORK			
MOTOR ASS'Y			
SIZE B	CODE IDENT. NO. 82679	DWG NO. A5660	ISSUE Ø
SCALE		SHEET OF	

NOTICE TO PERSONS RECEIVING THIS DRAWING
 THE TECHNICAL MATERIEL CORPORATION claims proprietary right in the material disclosed hereon. This drawing is issued in confidence for engineering information only and may not be reproduced or used to manufacture anything shown hereon without permission from THE TECHNICAL MATERIEL CORPORATION to the user. This drawing is loaned for mutual assistance and is subject to recall at any time.