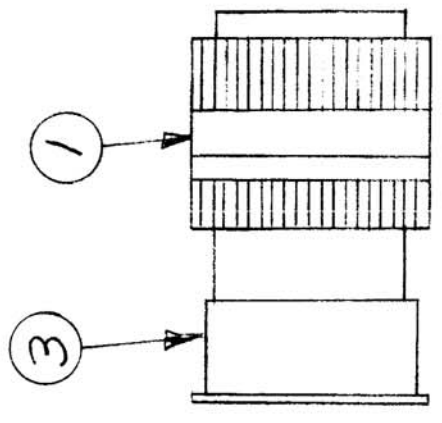
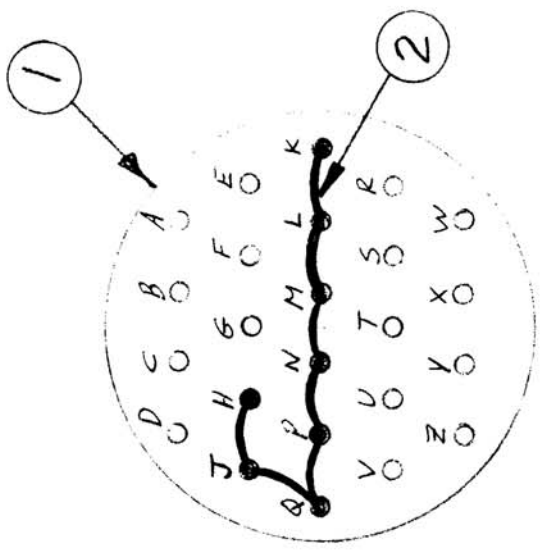


REQ. PER UNIT	1	MODEL	RAK110-2P	ASSY. NO.	BATA174	DATE	11-9-66
	1		RAK111-2		PAGE 13		11-9-66

A 4544



REQ. ITEM	X 4	PART NO.	BS100	DESCRIPTION	DEL. TINALY	SYMBOL	
	1		HB110-17		CAP. PUST, PLASTIC		
	2		MWC2007110		WIRE BRUSH DIS		
	1		M53106824-28F		CONN. PL. IN 24/C		
					PUSH.		
		STOCK SIZE	THE TECHNICAL MATERIEL CORP. MAMARONECK. NEW YORK				
		MATERIAL	FILTER INTERLOCK JUMPER ASY				
		TYPE & TEMPER	HEAT TREAT. SPEC.	DRAWN	CHECKED	FINAL APPROVAL	
		FINISH & SPEC. NO.					A 4544
		ELEC. DES. APP.	MECH. DES. APP.				

DATE	12-16-66	CH. NO.	0	DRAFTS	RME	CHECKER	ENG. APP.
SCALE	11-11-66						
DESCRIPTION	UNLESS OTHERWISE SPECIFIED DIMENSIONS ARE IN INCHES AND INCLUDE CHEMICALLY APPLIED OR PLATED FINISHES						
TOLERANCES	FRACTIONS ± 1/64 ANGLES ± 0° 30'						
DECIMALS	.X ± .05 .XX ± .01 .XXX ± .005						
CODE	A						