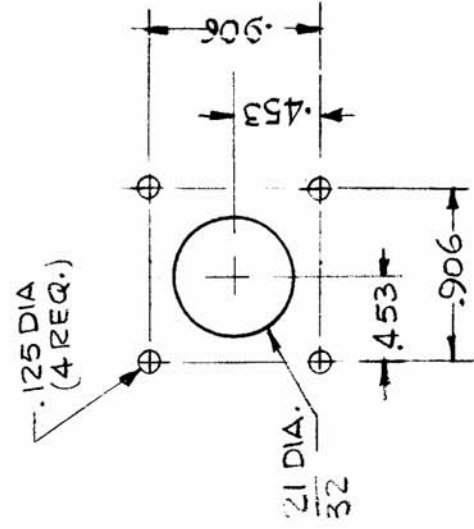
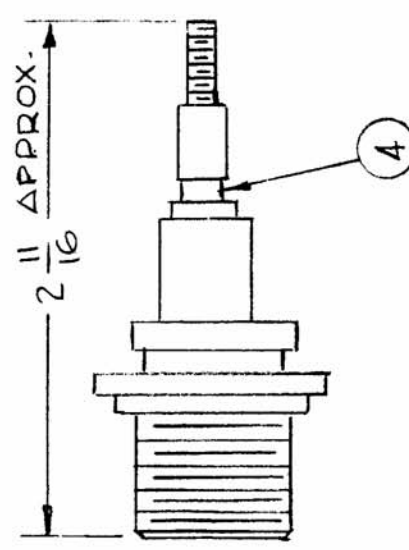
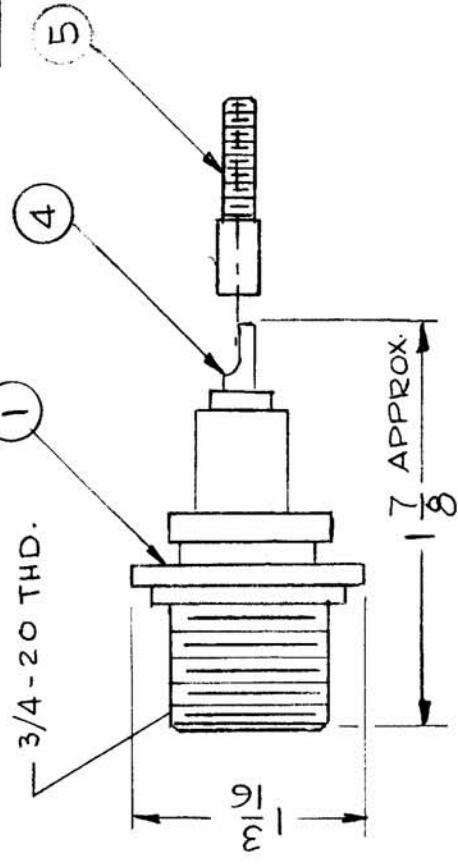


REQ. PER UNIT: 1
 MODEL: RFTA-1
 ASSY. NO.: A5234
 DATE: 1-21-66
 USED ON: A4413
 A



MOUNTING DETAIL

| | | | | | |
|---|---|----------|---|------|--------|
| 1 | 5 | PM1203 | ADAPT. CONN. RF | J214 | SYMBOL |
| 3 | 4 | BS 101-1 | BRZG. ALY. SILVER | | |
| | | DELETED | | | |
| | | DELETED | | | |
| 1 | 1 | UG560*1U | CONNECTOR, RECP. HN | J214 | |
| | | | BUDETTI | | |
| | | | THE TECHNICAL MATERIEL CORP. MAMARONECK. NEW YORK | | |
| | | | CONNECTOR ASSY., RF (HN SERIES) | | |
| | | | G.D.L. 10/65 | | |
| | | | DRAWN | | |
| | | | CHECKED | | |
| | | | TYPE & TEMPER | | |
| | | | HEAT TREAT. SPEC. | | |
| | | | FINISH & SPEC. N. | | |
| | | | ELEC. DES. APP. | | |
| | | | MECH. DES. APP. | | |

DESCRIPTION: A 17 2 & 3 DEL. IT 5 ADDED ORIGINAL RELEASE FOR PRODUCTION
 DATE: 4-2-66
 CH. NO.: 16079
 DRAFTS: 1440
 CHECKER: W40
 ENG. APP.: W40
 SCALE: DO NOT SCALE
 TOLERANCES: DECIMALS .X ± .05 .XX ± .01 .XXX ± .005
 FRACTIONS ± 1/64 ANGLES ± 0° 30'