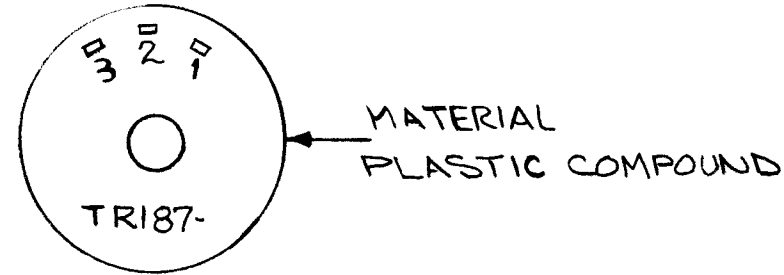
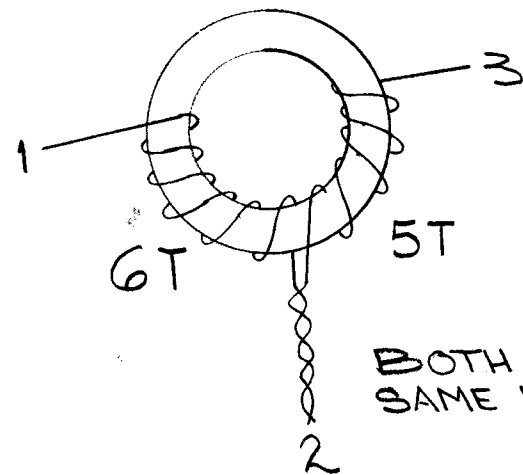


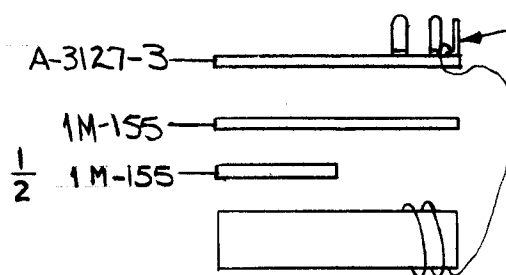
A4402

REVISIONS

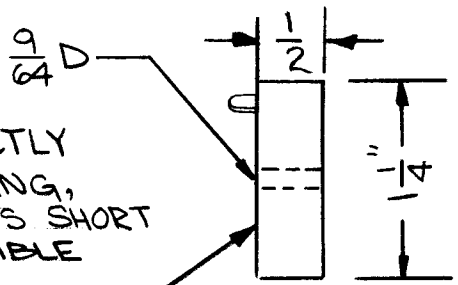
SYM	DESCRIPTION	DATE	E.M.N. NO.	DRAFT	CHKD	APPD
Ø	ORIGINAL RELEASE FOR PROD.	1/5/66	Ø			<i>[Signature]</i>



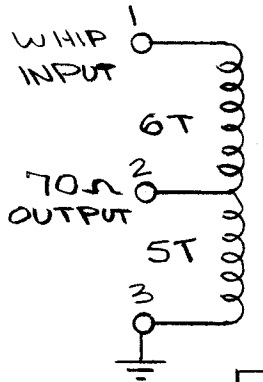
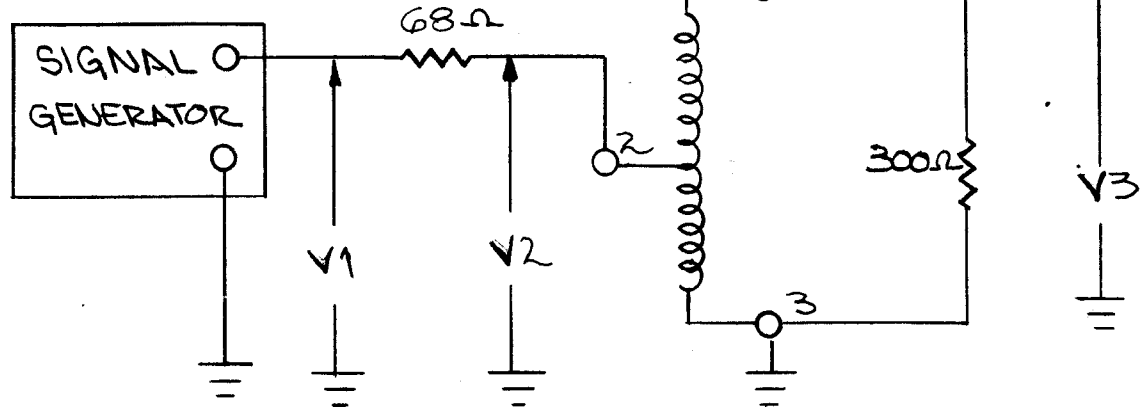
BOTH WINDINGS SAME DIRECTION



LUGS DIRECTLY OVER WINDING, KEEP LEADS SHORT AS POSSIBLE



LETTERING THIS SIDE 1/8 HIGH BLACK GOTHIC



TAPE WITH ELECTRICAL TAPE, 3 PLACES TO HOLD TOGETHER

f mc	R.F. VOLTS		
	V1	V2	V3
2	1	.47	.98
8	1	.52	1.0
32	1	.57	.96

REQ'D.	ITEM	PART NUMBER	DESCRIPTION	SYMBOL
	6	TA102-1	Ins Tape, El-P	
X	6	GL-106	Potting, Compound	
X	5	BS-100	Solder, Soft	
2	4	IM-155	Insulator	
1	3	A-1327-3	Insulator, Coils	
X	2	WI-102-9	Wire	
1	1	CI-104	Core	

LIST OF MATERIAL

MATERIAL	THE TECHNICAL MATERIEL CORP. MAMARONECK, NEW YORK			
FINISH	TITLE TR187 ASS'Y XFMR, RF			
UNLESS OTHERWISE SPECIFIED DIMENSIONS ARE IN INCHES AND INCLUDE CHEMICALLY APPLIED OR PLATED FINISHES	DRAWN	DATE	FINAL	ROYAL
	CHECKED	DATE		
	ELECT. DES.	DATE		
	MECH. DES.	DATE		
DECIMALS .X ± .05 .XX ± .01 .XXX ± .005	TOLERANCES	FRACTIONS ± 1/64 ANGLES ± 0° 30'	A4402	
THE CONTENTS OF THIS DRAWING ARE THE EXCLUSIVE PROPERTY OF THE TECHNICAL MATERIEL CORP. ITS UNAUTHORIZED USE OR REPRODUCTION IN WHOLE OR IN PART IS STRICTLY FORBIDDEN.			SHEET	REV. LTR.

NOT TO BE RELEASED W/O AUTHORIZATION  
AUTH-BY: \_\_\_\_\_  
DATE: \_\_\_\_\_

NOTES