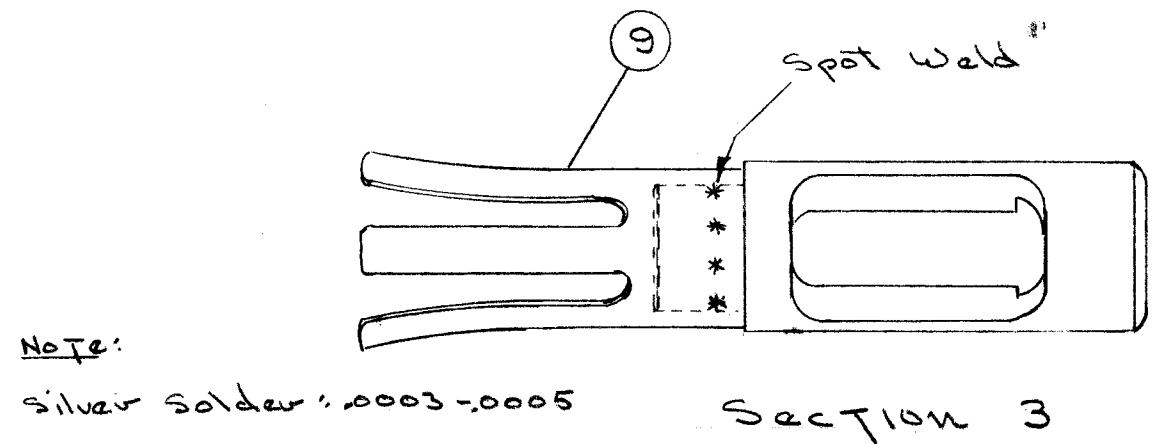
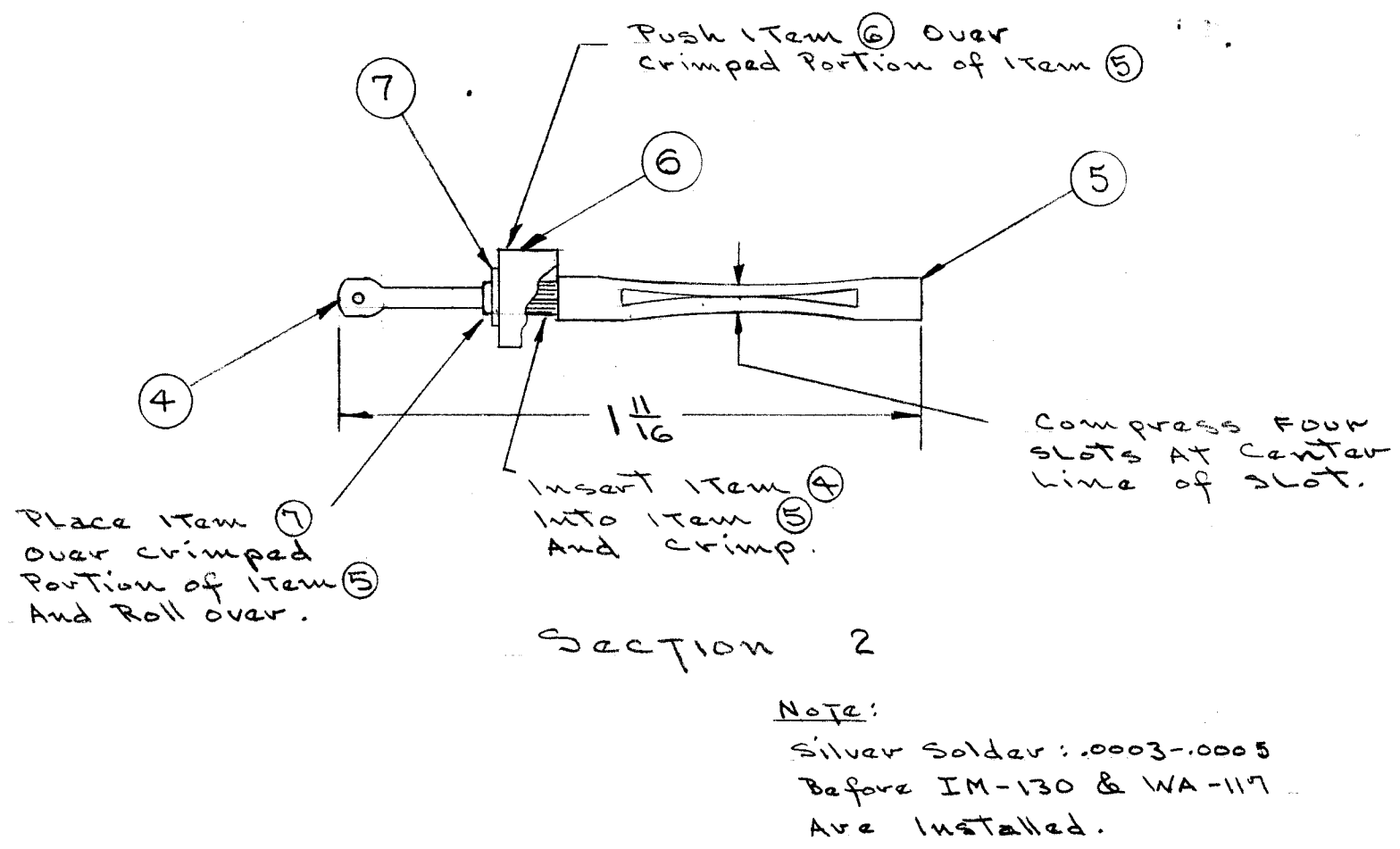
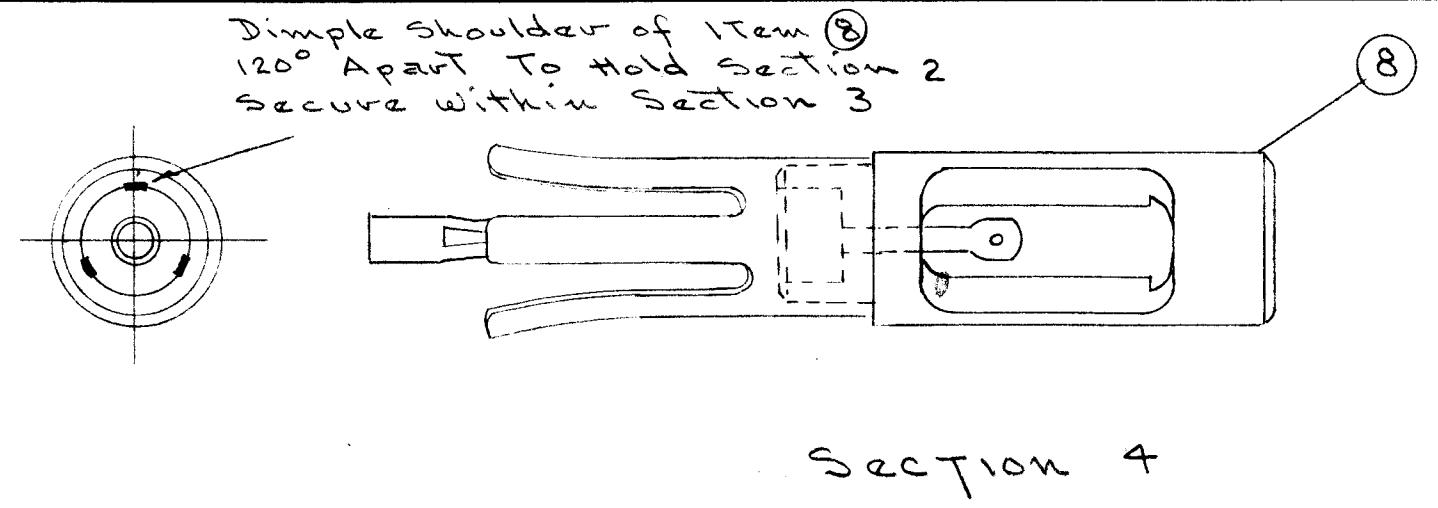
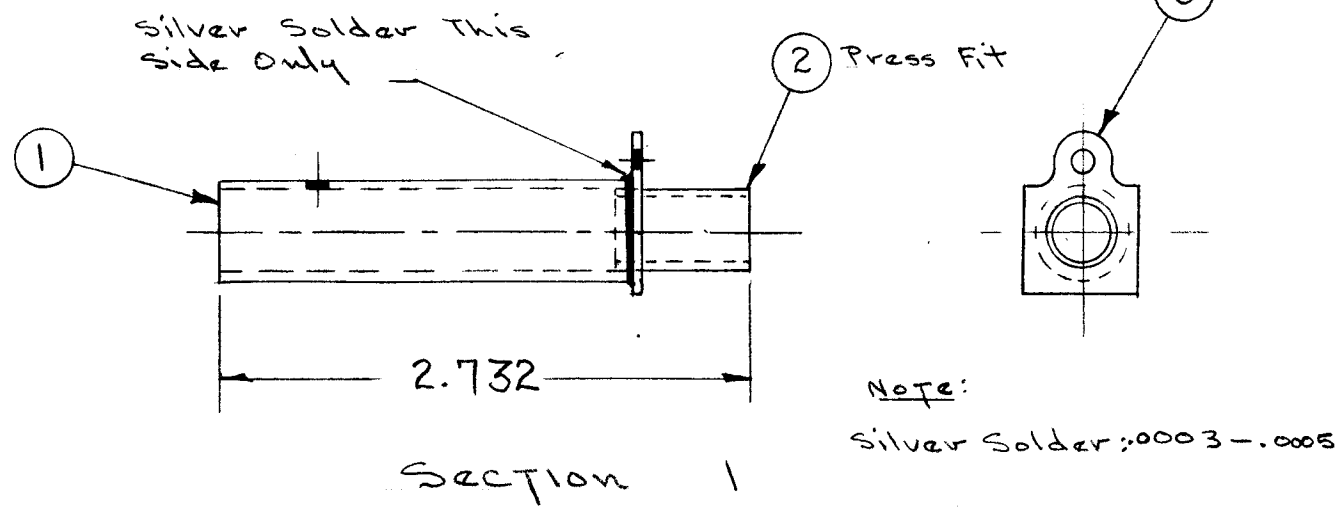


IF IT IS FOUND DESIRABLE TO CHANGE ANY TOLERANCE OR OTHER DETAIL SPECIFIED ON THIS DRAWING NOTIFY THE PURCHASER PROMPTLY.

MAXIMUM ALLOWABLE TOLERANCES HAVE BEEN DETERMINED AND DEVIATIONS WILL BE CAUSE FOR REJECTION. REMOVE ALL BURRS AND SHARP EDGES

RELEASED

A-479 A



REQ.	ITEM	PART NO.	DESCRIPTION	SYMBOL
1	9	MS-372	FINGER PLATE	
1	8	PM-239	MAIN ELEMENT	
1	7	WA-117	LOCKING RING	
1	6	IM-130	INSULATOR	
1	5	PM-241	CONTACT JACK	
1	4	PM-240	SOLDER PIN	
1	3	MS-373	MOUNTING PLATE	
1	2	PM-242	INNER SHELL	
1	1	PM-243	OUTER SHELL	

THE TECHNICAL MATERIEL CORP.  
MAMARONECK, NEW YORK

RF JACK  
SUB-ASS'Y.

DATE 6-11-53  
DRAWN  
ELEC. DES. APP.  
MECH. DES. APP.

CHECKED  
FINAL APPROVAL

A-479 A

A	1	2.732 was 2 3/4	7/11/53	JAD	WSE	CRB	
ISSUE	ITEM	CHANGED FROM	DATE	CN. NO.	DRAFTS	CHECKER	ENG. APP.
TOLERANCES			SCALE:				
ALL OTHERS	DEC. DIM. ±	FRAC. DIM. ±	ANGULAR DIM. ±	DRILL, PUNCH, COMMERCIAL STOCK SIZES AND MANUFACTURERS TOLERANCES ARE NOT INCLUDED.			

JJ-117	A-479	6-11-53	
MODEL	PROJECT NO.	ASS'Y. NO.	DATE
USED ON			

HEAT TREAT. SPEC.  
FINISH & SPEC. NO.  
See Notes