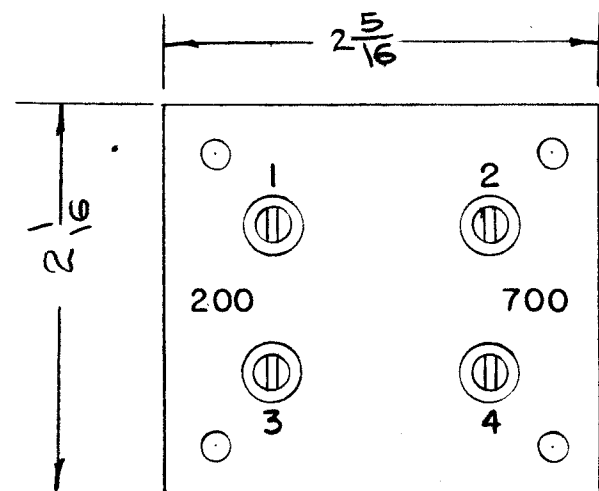


IF IT IS FOUND DESIRABLE TO CHANGE ANY TOLERANCE OR OTHER DETAIL SPECIFIED ON THIS DRAWING NOTIFY THE PURCHASER PROMPTLY.

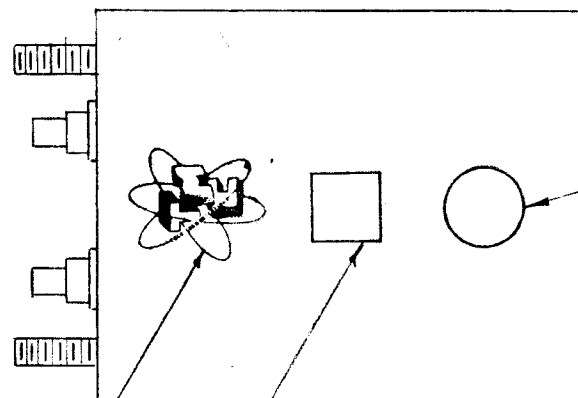
MAXIMUM ALLOWABLE TOLERANCES HAVE BEEN DETERMINED AND DEVIATIONS WILL BE CAUSE FOR REJECTION. REMOVE ALL BURRS AND SHARP EDGES

FINISH: S-114 - ZINC CHROMATE PRIMER  
 S-115 - SMOOTH GRAY ENAMEL  
 DO NOT PAINT STUD END.  
 STAMPING AFTER PAINTING:  
 BLACK GOTHIC, AS SHOWN.  
 STAMP TR-028 ON END OPPOSITE TERMINALS

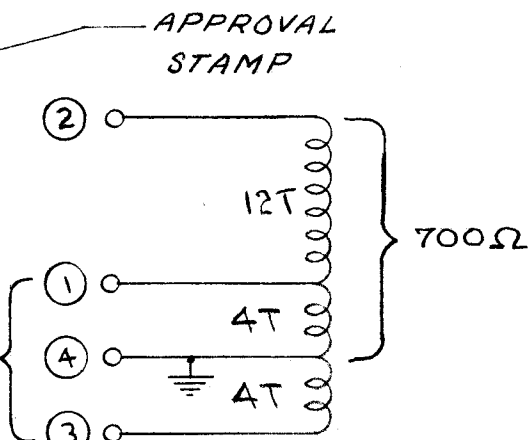
A-468 A



TERMINAL END

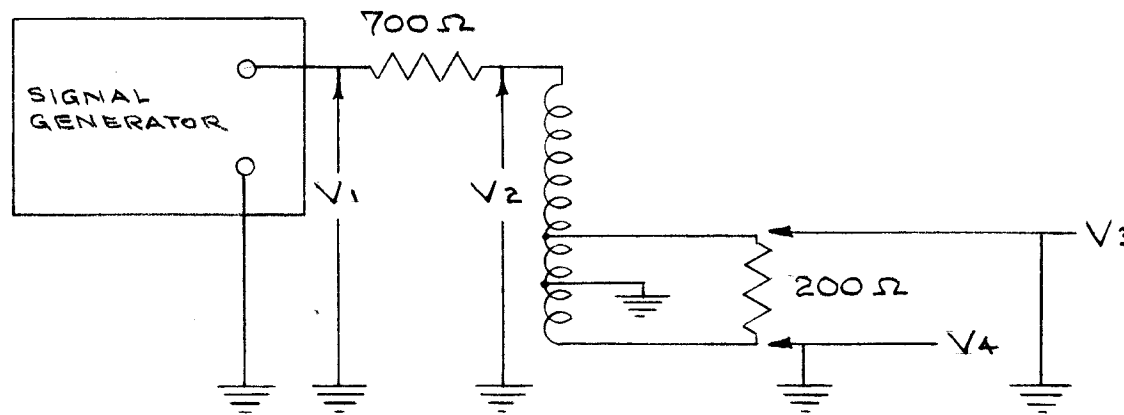


TMC INSIGNIA STAMP 200Ω



1-3 INPUT - 200Ω BALANCED  
 2-4 OUTPUT - 700Ω UNBALANCED  
 FREQ. RANGE - 2-30mc. ±3db.

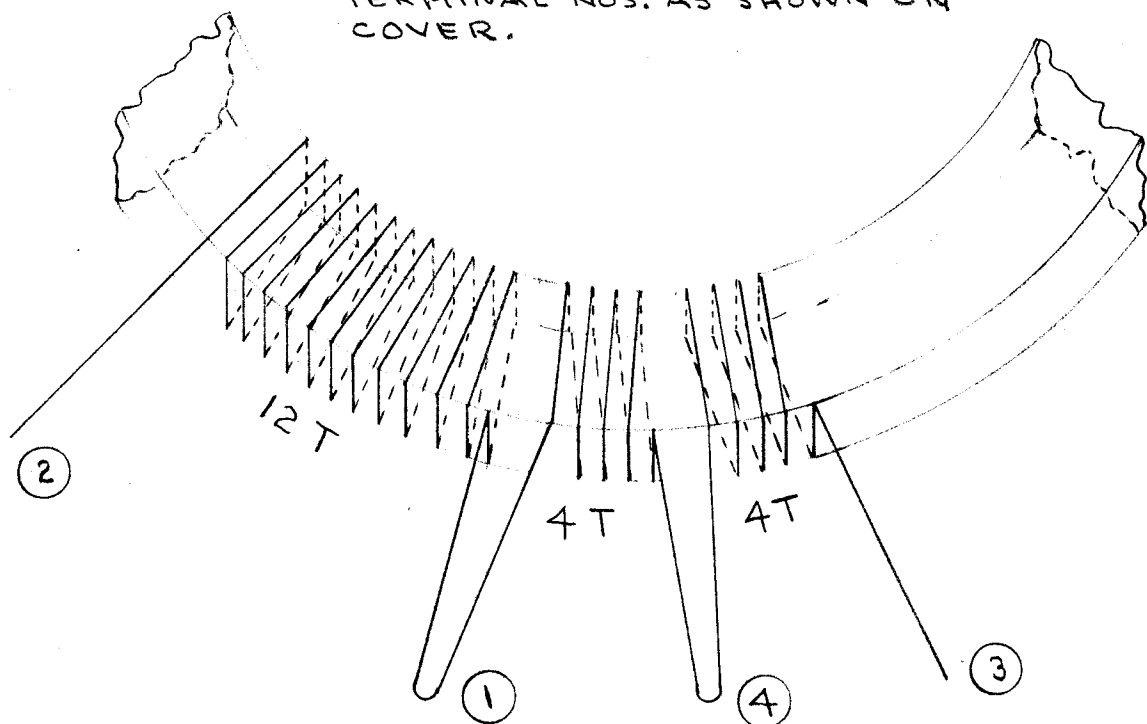
ELECTRICAL TEST DATA



f. mc.	R.F. VOLTS *			
	V1	V2	V3	V4
2	1.0	.46	.1	.1
8	1.0	.52	.11	.11
32	1.0	.62	.12	.12

\* V1 HELD CONSTANT. HEATHKIT VTVM.  
 V2-V3-V4 H.P. VTVM.

NUMBERS IN CIRCLES INDICATE TERMINAL NO'S. AS SHOWN ON COVER.



**NOT TO BE RELEASED W/O AUTHORIZATION**

AUTH. BY: \_\_\_\_\_  
 DATE: \_\_\_\_\_

1	6	NP-117	TMC INSIGNIA	
X	5	GL-100	POTTING COMPOUND	
X	4	BS-100	SOLDER, SOFT	
X	3	WI-102-9	WIRE	
1	2	CI-100-2	CORE	
1	1	BX-105	CASE, TRANSFORMER	

REQ.	ITEM	PART NO.	DESCRIPTION	SYMBOL
		#	THE TECHNICAL MATERIEL CORP. MAMARONECK. NEW YORK	
		#	TRANSFORMER, ANT. MATCHING	
		#	TR-028	
		#	C.D.D. 5-20-53	APP.
		#	DRAWN	ELEC. DES. APP.
		#	CHECKED	FINAL APPROVAL
		#	SEE NOTE	
		#	FINISH & SPEC. NO.	

A	1	STAMPING CLARIFIED	5/12/53	1	JAD	OSD	WJ
ISSUE	ITEM	CHANGED FROM	DATE	CN. NO.	DRAFTS	CHECKER	ENG. APP.
TOLERANCES		SCALE: #					
ALL OTHERS	DEC. DIM. ±	DRILL, PUNCH, COMMERCIAL STOCK SIZES AND MANUFACTURERS TOLERANCES ARE NOT INCLUDED.					
	FRAC. DIM. ±						
	ANGULAR DIM. ±						
		MODEL	PROJECT NO.	ASS'Y. NO.	DATE		

USED ON					

A-468 A