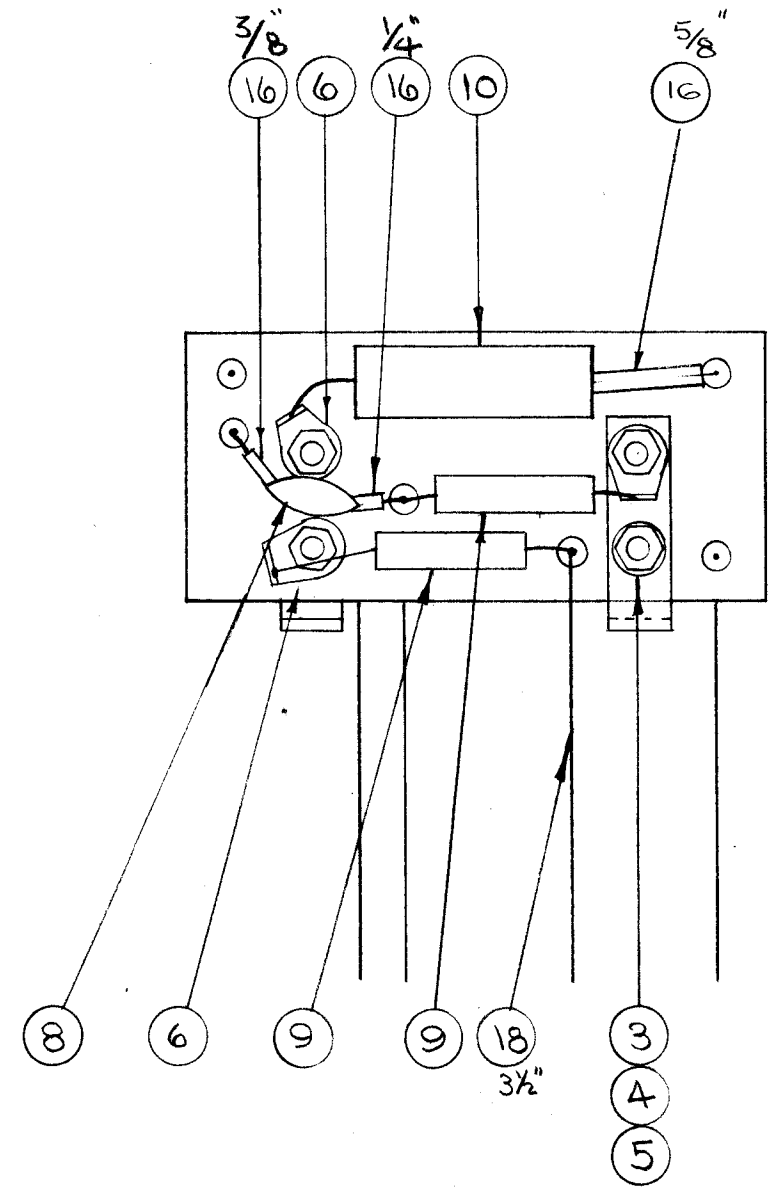
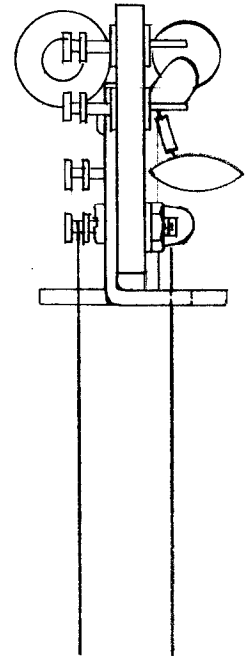
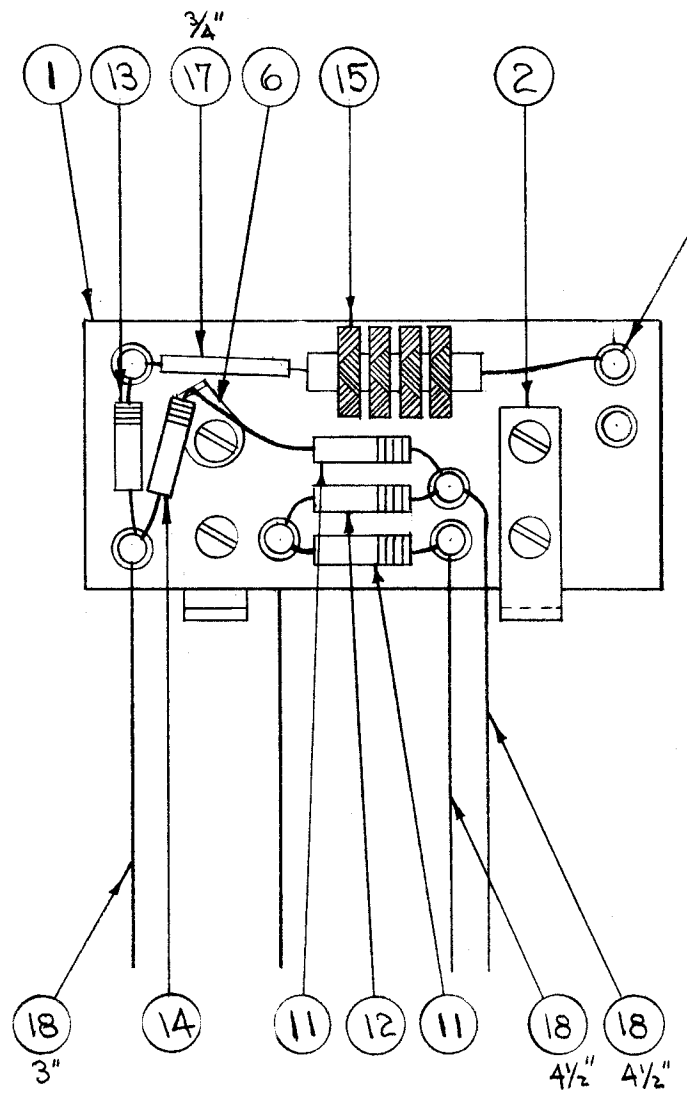


IF IT IS FOUND DESIRABLE TO CHANGE ANY TOLERANCE OR OTHER DETAIL SPECIFIED ON THIS DRAWING NOTIFY THE PURCHASER PROMPTLY.

MAXIMUM ALLOWABLE TOLERANCES HAVE BEEN DETERMINED AND DEVIATIONS WILL BE CAUSE FOR REJECTION. REMOVE ALL BURRS AND SHARP EDGES

A-463 C

ALL WIRED TERMINALS



X	19	BS-100	SOLDER, SOFT	
15 1/2"	18	WL-100-8	WIRE, BUSS BAR	
3/4"	17	PX-104-1-.034	INSULATION, SLEEVING	
1 1/4"	16	PX-104-2-.034	INSULATION, SLEEVING	
1	15	CL-101-3	CHOKER 2.5 mh.	L102
1	14	RC20GF333J	RESISTOR, FIXED 33K	R114
1	13	RC20GF274J	RESISTOR, FIXED 270K	R115
1	12	RC20GF473K	RESISTOR, FIXED 47K	R119
2	11	RC20GF474K	RESISTOR, FIXED 470K	R118 R120
1	10	CN-100-3	CAPACITOR, FIXED .05µf	C152
2	9	CC26SL101K	CAPACITOR, FIXED 100µf	C118 C121
1	8	CC-100-16	CAPACITOR, FIXED .01µf	C122
#	7	DELETED.		
4	6	TE-110-2	LUG, SOLDER	
4	5	NTH0440BN8	NUT, HEX.	
4	4	LWS04MRN	LOCKWASHER, SPLIT	
4	3	SCBS0440BN7	SCREW, MACHINE	
2	2	MS-343	BRACKET, TERM. BD.	
1	1	A-1182	BOARD, TERMINAL (DET.)	

REQ.	ITEM	PART NO.	DESCRIPTION	SYMBOL
THE TECHNICAL MATERIEL CORP. MAMARONECK, NEW YORK TERMINAL BOARD ASSEMBLY DETECTOR				
STOCK SIZE			C.D.D. A-23-52	
MATERIAL			G.T.O.	
WEIGHT PER PC.			DRAWN	
TYPE & TEMPER			ELEC. DES. APP.	
HEAT TREAT. SPEC.			MECH. DES. APP.	
FINISH & SPEC. NO.			CHECKED	
			FINAL APPROVAL	

C	1	ITEM 3 WAS SCBS0440BN6	8-9-62	7027	MJT	<i>[Signature]</i>	
B	2	ALL HDWRE. CHGD. FROM CAD. TO NICKEL	9-28-61	5602	LB	OB	
A	1	ITEM 14 WAS RG20GF682J					
A	2	ITEM 7 WAS TE-131-4	11/14/53	1	PS	<i>[Signature]</i>	
A	2	ITEM 1 WAS PX-169				<i>[Signature]</i>	
ISSUE	ITEM	CHANGED FROM	DATE	CN. NO.	DRAFTS	CHECKER	ENG. APP.

TOLERANCES		SCALE: $\frac{1}{16}$ "
ALL OTHERS	DEC. DIM. \pm FRAC. DIM. \pm ANGULAR DIM. \pm	DRILL, PUNCH, COMMERCIAL STOCK SIZES AND MANUFACTURERS TOLERANCES ARE NOT INCLUDED.

FFR	104	A-263	5-13-53
MODEL	PROJECT NO.	ASS'Y. NO.	DATE
USED ON			

A-463 C