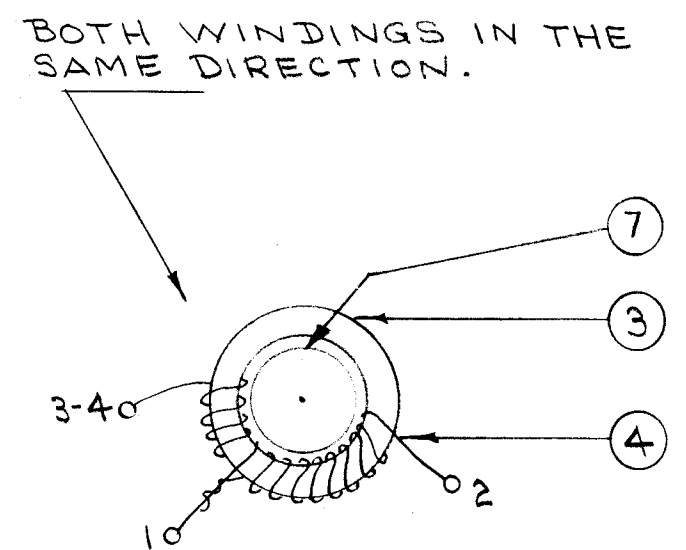
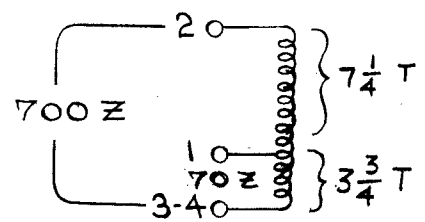
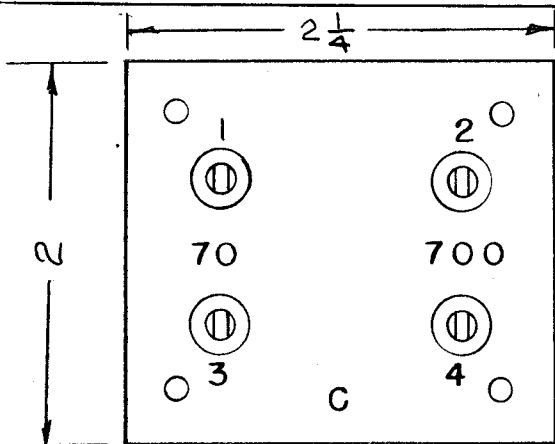


IF IT IS FOUND DESIRABLE TO CHANGE ANY TOLERANCE OR OTHER DETAIL SPECIFIED ON THIS DRAWING NOTIFY THE PURCHASER PROMPTLY.

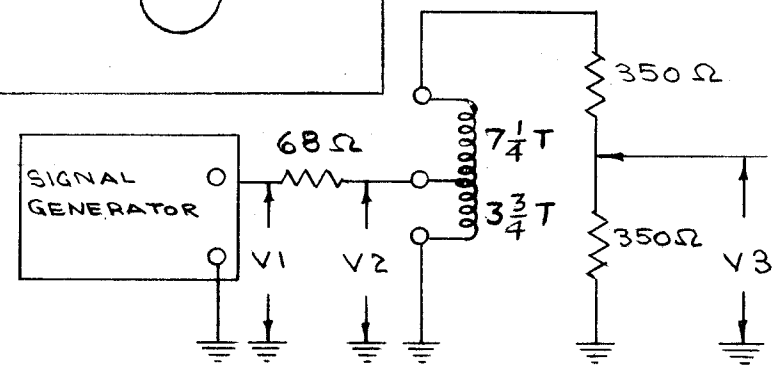
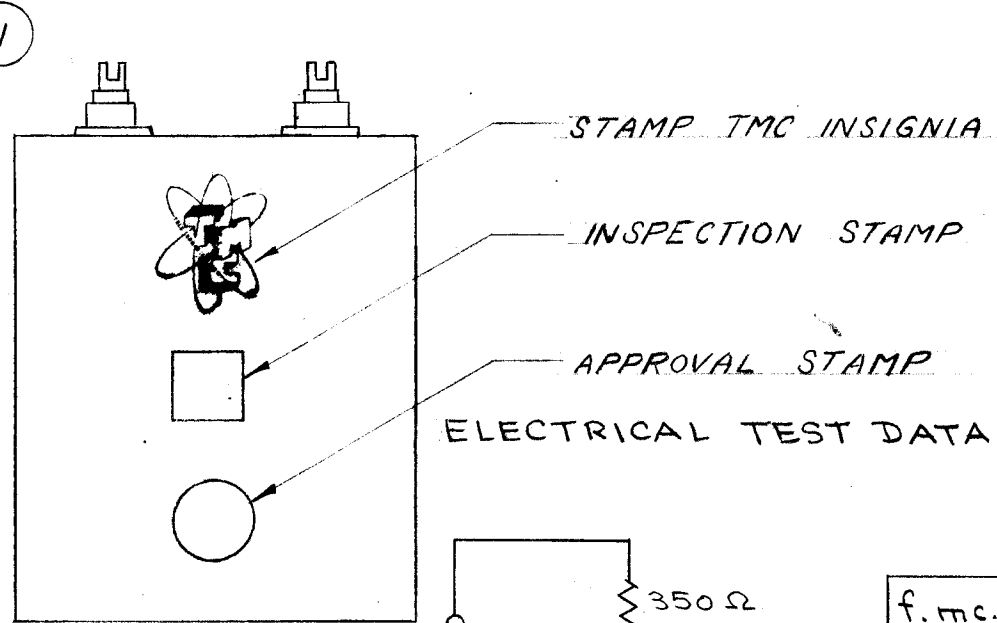
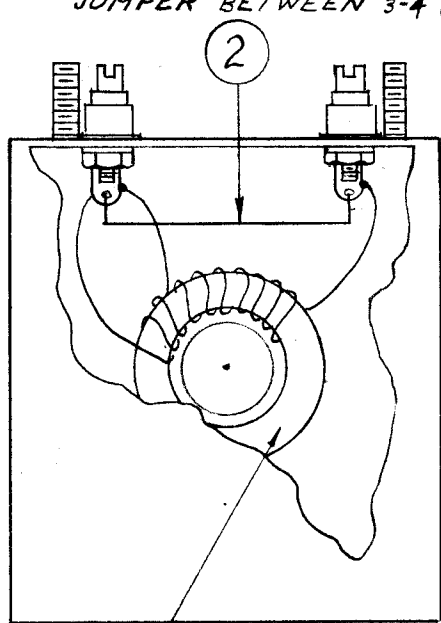
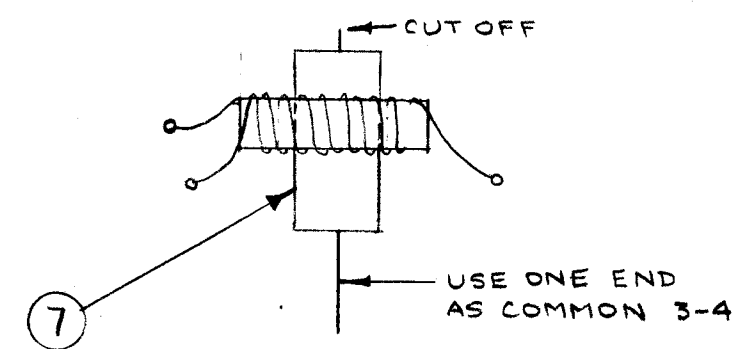
MAXIMUM ALLOWABLE TOLERANCES HAVE BEEN DETERMINED AND DEVIATIONS WILL BE CAUSE FOR REJECTION. REMOVE ALL BURRS AND SHARP EDGES

A-460 B

FINISH:
 S-114-ZINC CHROMATE PRIMER
 S-115-SMOOTH GRAY ENAMEL
 DO NOT PAINT STUD END.
 STAMPING AFTER PAINTING.
 BLACK GOTHIC AS SHOWN



FREQUENCY RANGE -
 2 mc. TO 30 mc. ± 3 db.
 70 Ω TO 700 Ω UNBALANCED



f. mc.	R.F. VOLTS *		
	V ₁	V ₂	V ₃
2	1.0	.52	.7
8	1.0	.53	.71
32	1.0	.49	.69

*VOLTAGES WITH H.P. VTVM

REQ.	ITEM	PART NO.	DESCRIPTION	SYMBOL
1	8	NP-117	TMC INSIGNIA	
1	7	CN-100-7	CAPACITOR, FIXED	
X	6	GL-100	POTTING COMPOUND	
X	5	BS-100	SOLDER, SOFT	
X	4	WI-102-9	WIRE	
1	3	CI-104-A	CORE	
1/2"	2	WL-100-7	WIRE, BUSS BAR	
1	1	BX-105	CASE, TRANSFORMER	

**NOT TO BE RELEASED
 W/O AUTHORIZATION**

AUTH. BY: _____
 DATE: _____

ISSUE	ITEM	CHANGED FROM	DATE	CN. NO.	DRAFTS	CHECKER	ENG. APP.
B	1	STAMP NOTE ADDED	5/13/53	2	1	VLC	
A	1	CN-100-7 ADDED VALUES CHD.	9/14/53	1	16	RAB	

TOLERANCES		SCALE:
ALL OTHERS	DEC. DIM. ± FRAC. DIM. ± ANGULAR DIM. ±	DRILL, PUNCH, COMMERCIAL STOCK SIZES AND MANUFACTURERS TOLERANCES ARE NOT INCLUDED.

MODEL	PROJECT NO.	ASS'Y. NO.	DATE

REG.	ITEM	PART NO.	DESCRIPTION	SYMBOL
THE TECHNICAL MATERIEL CORP. MAMARONECK, NEW YORK				
TRANSFORMER, ANT. MATCHING				
TR-023				
TYPE & TEMPER		C.D.D. 5-13-53		
HEAT TREAT. SPEC.		DRAWN: <i>OMP</i>		
SEE NOTE		ELEC. DES. APP. <i>OMP</i>		
FINISH & SPEC. NO.		MECH. DES. APP. <i>OMP</i>		
		CHECKED: <i>JAD</i> 5/13/53		
		FINAL APPROVAL: <i>OMP</i>		
		A-460 B		