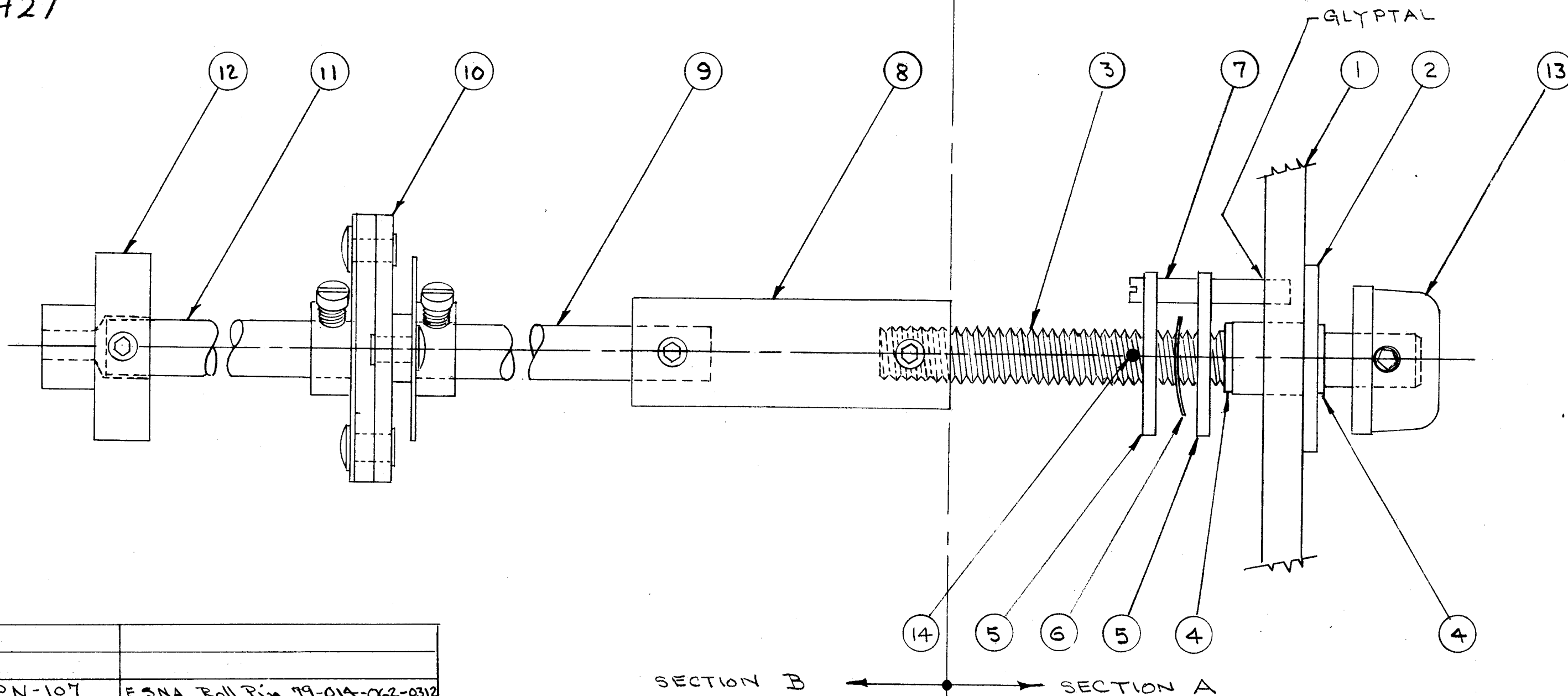


A-427



SECTION B ← → SECTION A

SUPERCEDES  
BMS 088

CALIBRATE CONTROL ASSEMBLY	
THE TECHNICAL MATERIEL CORPORATION MAMARONECK, NEW YORK	
DATE 9-5-52	CHKD. <i>67</i>
DRAWN <i>JAD</i>	APPD. <i>[Signature]</i>
SHEET OF	NO A-427

USED ON A-631

REQ 1 PER UNIT

REQ	ITEM	PART NO.	DESCRIPTION
1	14	PN-107	ESNA Roll Pin 99-014-062-0312
1	13	MP-102-1	Knob Davies #1400
1	12	MC-107	Modified Coupling
1	11	PX-157	Coil Slug Bushing Shaft
1	10	PM-220	Flexible Coupling FNC-46-S
1	9	PX-160	Coil Slug Extension Shaft
1	8	PM-200	Coil Slug Bushing
1	7	PN-108	Calibrate Control Pin
1	6	WA-119	Spring Washer, Modified
2	5	PM-197	Calibrate Control Disc
2	4	WA-112	TRUARC Ring #5101-25
1	3	PM-198	Calibrate Control Shaft
1	2	PM-196	Panel Bearing
1	1	MS-337	Front Panel