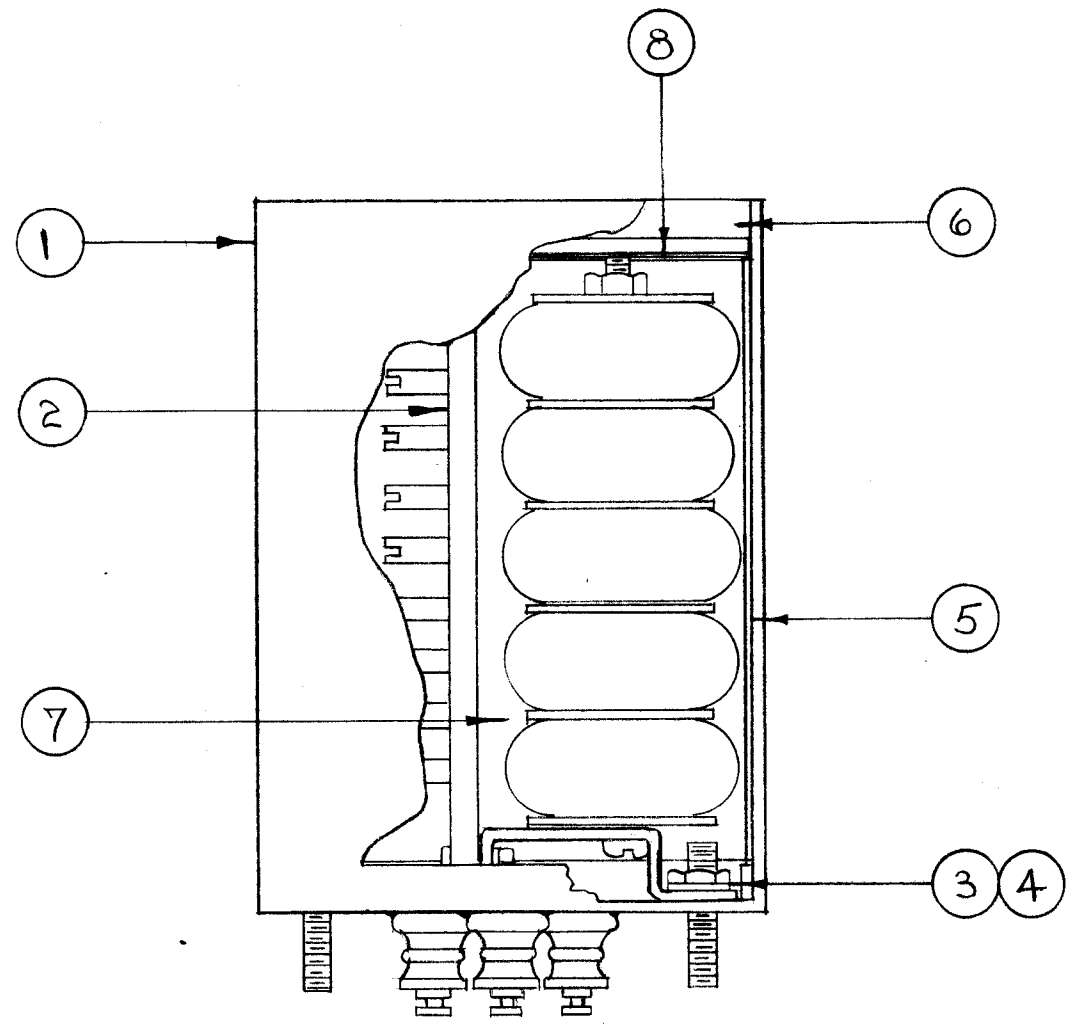


IF IT IS FOUND DESIRABLE TO CHANGE ANY TOLERANCE OR OTHER DETAIL SPECIFIED ON THIS DRAWING NOTIFY THE PURCHASER PROMPTLY.

MAXIMUM ALLOWABLE TOLERANCES HAVE BEEN DETERMINED AND DEVIATIONS WILL BE CAUSE FOR REJECTION. REMOVE ALL BURRS AND SHARP EDGES

A-440

- STEP 1 - AFFIX ITEM 2 TO BOTTOM OF ITEM 1 WITH ITEMS 3 & 4 AS SHOWN.
  - STEP 2 - SOLDER CASE TO BOTTOM WITH ITEM 6
  - STEP 3 - TEST ACCORDING TO TMC SPEC 5- PROCEED ONLY IF TEST IS PASSED.
  - STEP 4 - INSERT SIDE INSULATION (ITEM 5)
  - STEP 5 - POUR IN ITEM 7 (POTTING COMPOUND) TO WITHIN 1/4 INCH OF TOP OF CAN.
  - STEP 6 - PLACE TOP INSULATION (ITEM 8) OVER POTTING COMPOUND.
  - STEP 7 - INSERT TOP COVER AND SOLDER TO CASE.
  - STEP 8 - REPEAT STEP 3
- NOTE - ALL SEAMS MUST BE HERMETICALLY SEALED.



REQ.	ITEM	PART NO.	DESCRIPTION	SYMBOL
1	8	IM-129	INSULATION, TOP	
X	7	GL-100	POTTING COMPOUND	
X	6	BS-100	SOLDER, SOFT	
1	5	IM-128	INSULATION, SIDES	
2	4	NTH0632BC10	NUT, HEX	
2	3	LWS 06 MRC	WASHER, LOCK	
1	2	A-438	COIL & TERM. BD. ASSY	
1	1	BX-113	TERMINAL ASSEMBLY	
<b>THE TECHNICAL MATERIEL CORP.</b> MAMARONECK. NEW YORK <b>FILTER ASSEMBLY</b> (FX-101)				
C.D.D. 3-31-53			A. J. J.	
M.H.S.				
A-440				

ISSUE	ITEM	CHANGED FROM	DATE	CN. NO.	DRAFTS	CHECKER	ENG. APP.
TOLERANCES		SCALE: 1" = 1"					
ALL OTHERS	DEC. DIM. ± FRAC. DIM. ± ANGULAR DIM. ±	DRILL, PUNCH, COMMERCIAL STOCK SIZES AND MANUFACTURERS TOLERANCES ARE NOT INCLUDED.					

SFP-2	121	A-448	4-16-53
SFP-1	121	A-445	4-6-53
MODEL	PROJECT NO.	ASS'Y. NO.	DATE

USED ON