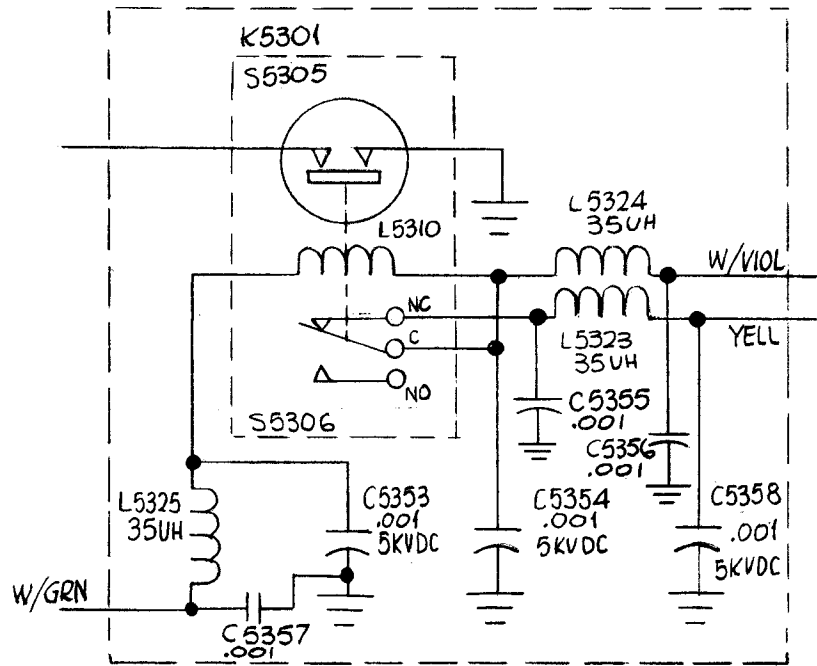


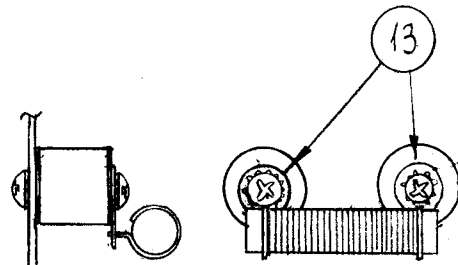
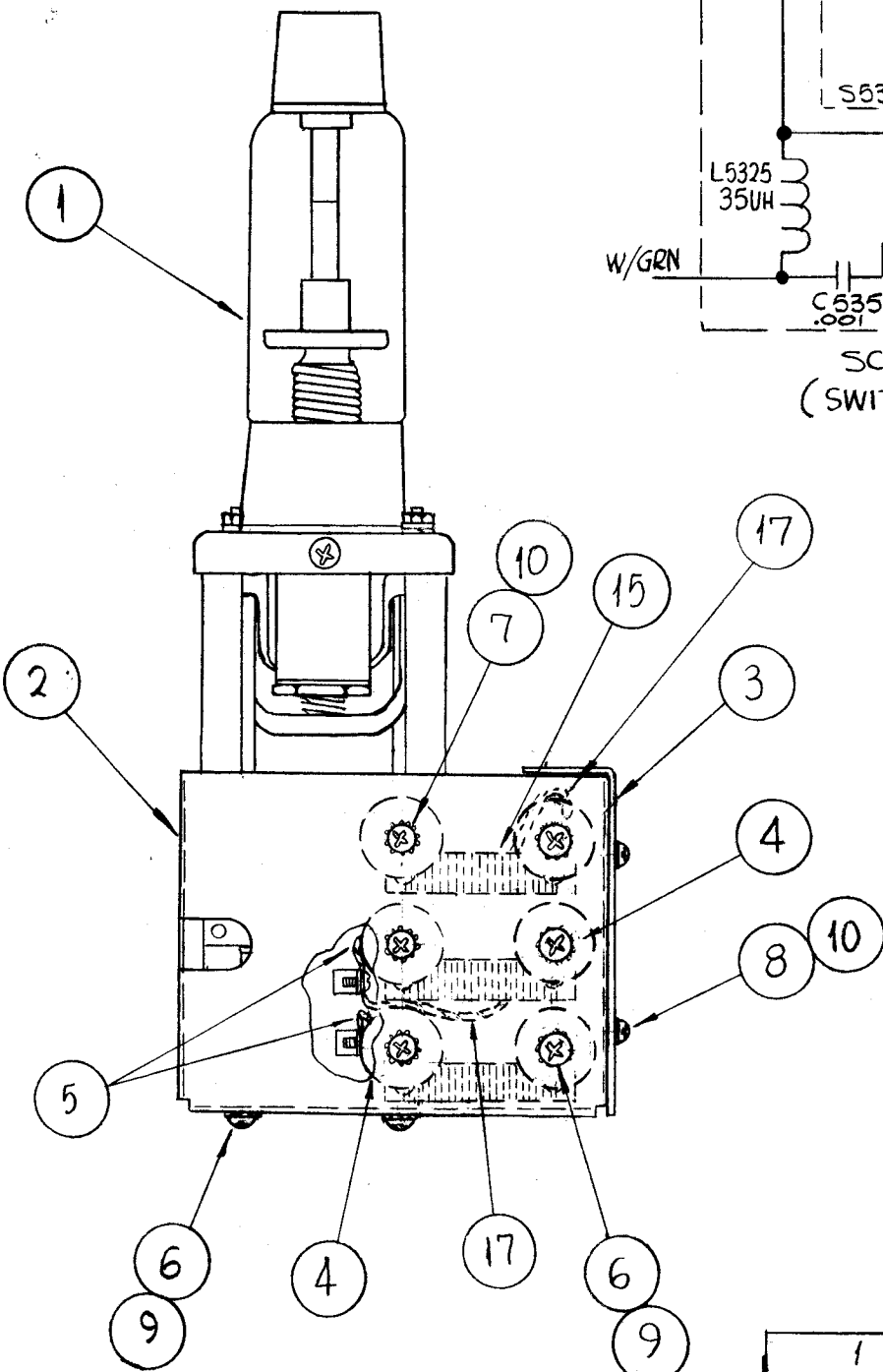
REVISIONS

SYM	DESCRIPTION	DATE	E.M.N. NO.	DRAFT	CHKD	APPD
0	ORIGINAL RELEASE FOR PRODUCTION					
A	ON B/M QTY OF IT. 4 WAS 3, OF IT 6 WAS 7, OF IT 7 WAS 6, OF IT 9 WAS 10, OF IT 10 WAS 7, OF ITEM 13 WAS 3, ITEM 11 WAS NS 3W0206, 3REQ. ITEM 12 WAS WA109-46, 6REQ. ITEM 14 WAS TE104-3, 3REQ. ITEM 15 WAS A 2429, ON SCHEM. C5356, 5357, 5358 ADDED. L5325, 5324, 5323 WERE 185UH. C5355 RELOCATED. NO FNC WERE SWITCHED. PICTORIAL CLARIFIED.	7 13 64	11766	SRG		

A-3478



SCHMATIC DIAGRAM
(SWITCH SHOWN IN OPERATED POS.)



MOUNTING DETAIL

REQ'D.	ITEM	PART NUMBER	DESCRIPTION	SYMBOL
2	17	CA-409-121-5,00	CABLE ASS'Y JUMPER	
X	16	BS-100	SOLDER, SOFT	
3	15	CL292	COIL, RF	L5323 L5324 L5325
	14	DELETED		
6	13	TE-104-2	TERMINAL, LOCKING	
	12	DELETED		
	11	DELETED		
10	10	LWE06MRN	LOCKWASHER, EXTERNAL TOOTH	
4	9	SCBP0832BNG	SCREW, MACHINE	
4	8	SCBP0632BN5	SCREW, MACHINE	
12	7	SCBP0632BN4	SCREW, MACHINE	
4	6	LWE08MRN	LOCKWASHER, EXTERNAL TOOTH	
2	5	CA-409-118-2.50	CABLE ASS'Y, JUMPER	
6	4	CC-109-38	CAPACITOR, FIXED, CERAMIC, H.V.	C5353 TO C5358
1	3	MS-3641	COVER FRONT, SHORTING RELAY	
1	2	LD-1258/MS-3640	SHIELD, SHORTING RELAY	
1	1	RL-154	RELAY, SHORTING	K5301

F. BUDETTI LIST OF MATERIAL

MATERIAL		THE TECHNICAL MATERIEL CORP. MAMARONECK, NEW YORK	
FINISH		TITLE SHORTING RELAY ASS'Y	
UNLESS OTHERWISE SPECIFIED DIMENSIONS ARE IN INCHES AND INCLUDE CHEMICALLY APPLIED OR PLATED FINISHES		DRAWN SRG	DATE 2-18-64
DECIMALS .X ± .05 .XX ± .01 .XXX ± .005		CHECKED SRG	DATE 3/5/64
FRACTIONS ± 1/64 ANGLES ± 0° 30'		ELECT. DES.	DATE
TOLERANCES		MECH. DES.	DATE
		FIN. APPROVAL [Signature]	
		DATE 2-30-64	
		A-3478	
		A	
		SHEET	
		REV. LTR.	

1	GPT-200K (AX-395)	A-2823
Q'TY./UNIT	MODEL USED ON	ASS'Y. NO.
SCALE 1/2" = 1"	CODE A	

NOTES

THE CONTENTS OF THIS DRAWING ARE THE EXCLUSIVE PROPERTY OF THE TECHNICAL MATERIEL CORP. ITS UNAUTHORIZED USE OR REPRODUCTION IN WHOLE OR IN PART IS STRICTLY FORBIDDEN.