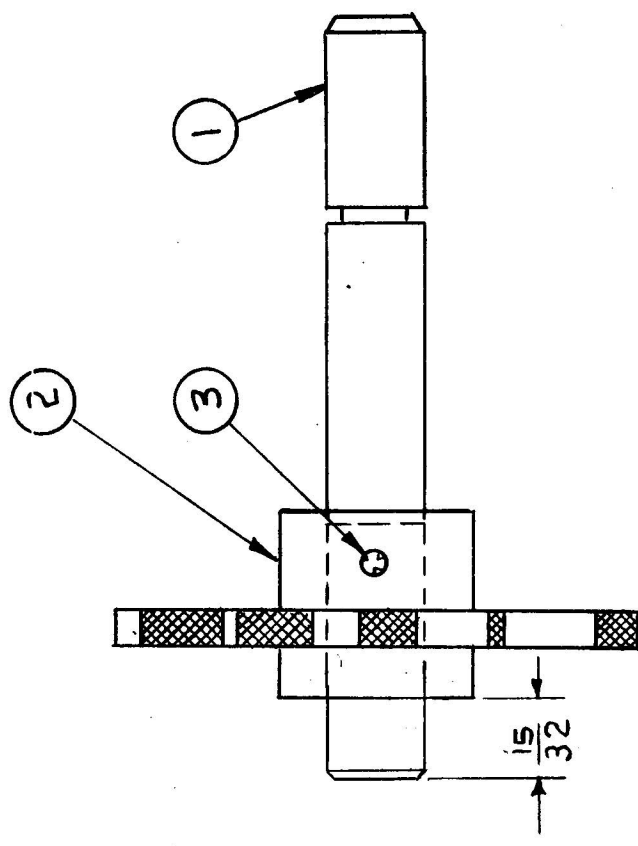


REQ. PER UNIT	USED ON	DATE	A-3265	C
1	ASSY. NO.	8-8-63		
	MODEL			
	CHG-2A			



REQ. ITEM	PART NO.	DESCRIPTION	SYMBOL
1	3 PN-114-3	GROOVE PIN	
1	2 PO-200	DETENT, SPROCKET	
1	1 PM-965	SHAFT, DETENT	
		KRUY	
		THE TECHNICAL MATERIEL CORP. MAMARONECK. NEW YORK	
		DETENT WHEEL & SHAFT	
		ASSEMBLY	
		YIP	
		APR 8 1963	
		DRAWN	
		CHECKED	
		TRK	
		ELEC. DES. APP.	
		MECH. DES. APP.	
		FINISH & SPEC. NO.	
		A-3265	
			C

REQ. ITEM	PART NO.	DESCRIPTION	SYMBOL
1	3 PN-114-3	GROOVE PIN	
1	2 PO-200	DETENT, SPROCKET	
1	1 PM-965	SHAFT, DETENT	
		KRUY	
		THE TECHNICAL MATERIEL CORP. MAMARONECK. NEW YORK	
		DETENT WHEEL & SHAFT	
		ASSEMBLY	
		YIP	
		APR 8 1963	
		DRAWN	
		CHECKED	
		TRK	
		ELEC. DES. APP.	
		MECH. DES. APP.	
		FINISH & SPEC. NO.	
		A-3265	
			C