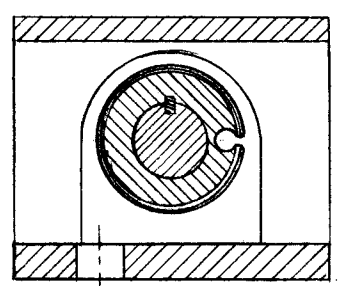
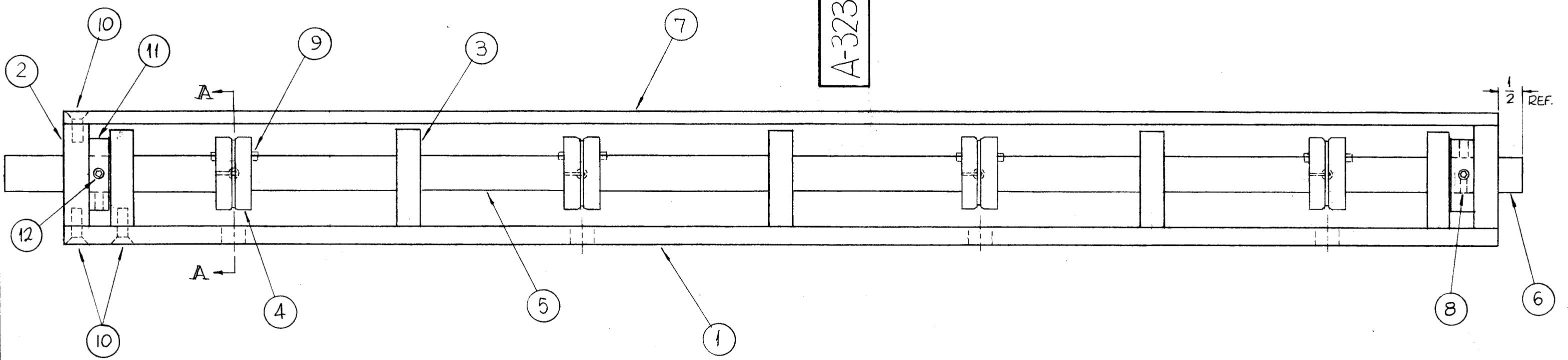


A-3235 0

REVISIONS					
SYM	DESCRIPTION	DATE	E.M.N. NO.	DRAFT	CHKD APPD
0	ORIGINAL RELEASE FOR PRODUCTION	3-1-64			



SECTION A-A

REQ'D.	ITEM	PART NUMBER	DESCRIPTION	SYMBOL
4	12	SLHC 2520SS6	SETSCREW	
2	11	MC-126-B2	COUPLING, SHAFT, RIGID	
18	10	SC-156-2520SS9	SCREW, SOCKET HEAD	
4	9	KY-102-2-1.00SS	KEY, SQUARE	
1	8	PN-59-.094-12	PIN, SPRING	
1	7	PM-938	PLATE, SUPPORT, TOP	
1	6	PM-943	COUPLING; GEAR ASS'Y	
1	5	PM-950	SHAFT, PULLEY MTG.	
4	4	PM-956	PULLEY, CAPACITOR DRIVE	
5	3	PM-936	SUPPORT, SHAFT GUIDE	
2	2	PM-935	PLATE, SIDE	
1	1	PM-937	PLATE, SUPPORT, BOTTOM	

F. BUDETTI LIST OF MATERIAL				
MATERIAL	THE TECHNICAL MATERIEL CORP. MAMARONECK, NEW YORK			
FINISH	TITLE PULLEY BOX ASS'Y			
UNLESS OTHERWISE SPECIFIED DIMENSIONS ARE IN INCHES AND INCLUDE CHEMICALLY APPLIED OR PLATED FINISHES	DRAWN SRG	DATE 10-10-63	FINAL APPROVAL RAC	DATE 3-30-64
DECIMALS .X ± .05 .XX ± .01 .XXX ± .005	CHECKED aa qpb	DATE 3-2-64	DATE 3-1-64	REV. LTR. 0
TOLERANCES	MECH RAC	DATE 3-1-64	A-3235 SHEET	

1	GPT-200K (AX-395)	A-3184
Q'TY./UNIT	MODEL USED ON	ASS'Y. NO.
SCALE 1/2"=1"	CODE A	
THE CONTENTS OF THIS DRAWING ARE THE EXCLUSIVE PROPERTY OF THE TECHNICAL MATERIEL CORP. ITS UNAUTHORIZED USE OR REPRODUCTION IN WHOLE OR IN PART IS STRICTLY FORBIDDEN.		

NOTES