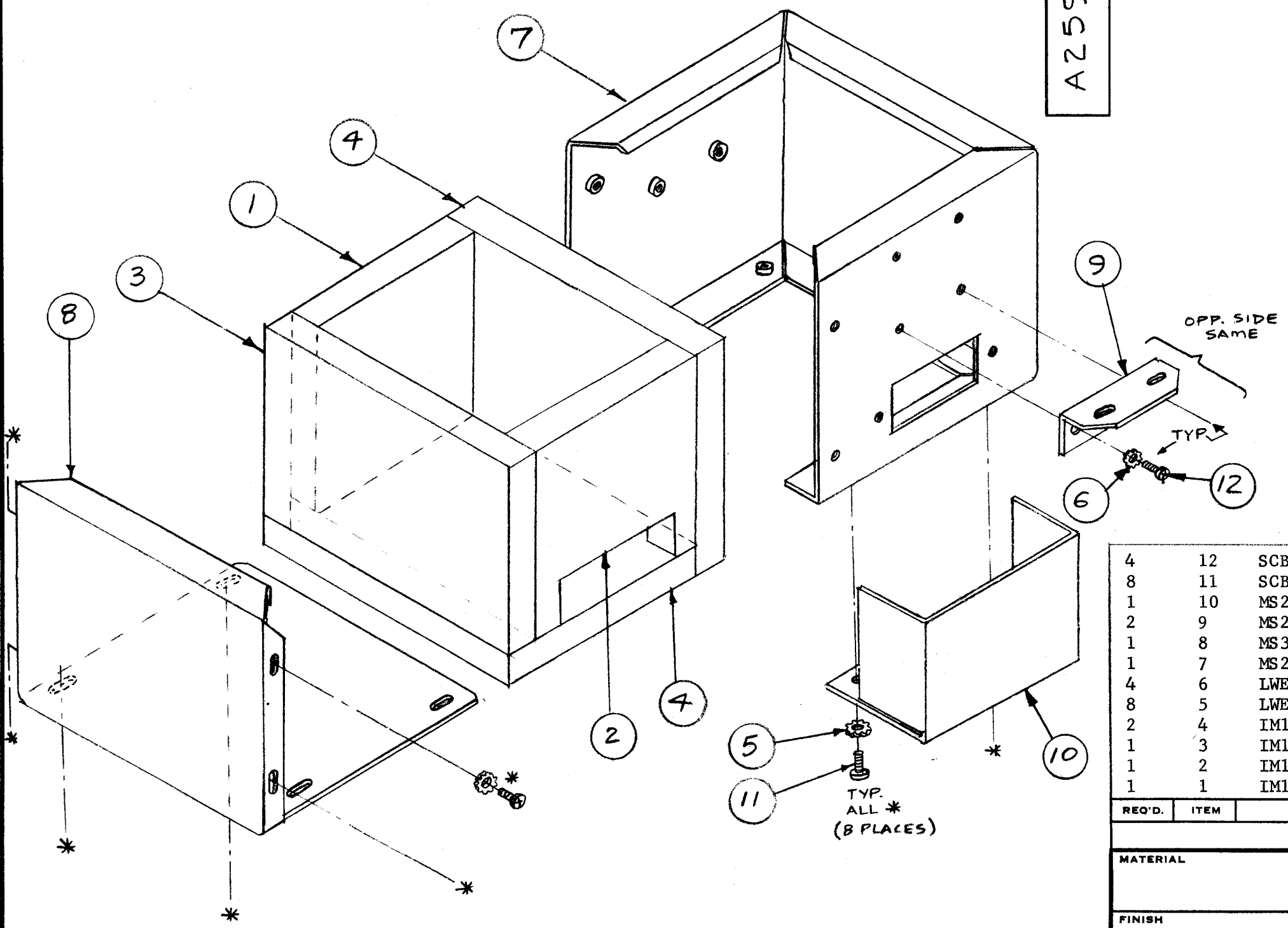


A2594

REVISIONS					
SYM	DESCRIPTION	DATE	E.M.N. NO.	DRAFT	CHKD APPD
Ø	ORIGINAL RELEASE FOR PRODUCTION	9-18-64	Ø	J.F.	



4	12	SCBP0632BN4	SCREW, MACHINE
8	11	SCBP0440BN5	SCREW, MACHINE
1	10	MS2475	COVER, TERM. BD
2	9	MS2472	BRACKET, MOUNTING, OVEN
1	8	MS339	COVER, OVEN
1	7	MS227	SHELL, OVEN
4	6	LWE06MRN	WASHER, LOCK, EXTERNAL
8	5	LWE04MRN	WASHER, LOCK, EXTERNAL
2	4	IM127	INSULATOR, TOP/SIDE
1	3	IM105	INSULATOR, SIDE
1	2	IM104	INSULATOR, SIDE, ELEM
1	1	IM103	INSULATOR, SIDE

REQ'D.	ITEM	PART NUMBER	DESCRIPTION	SYMBOL
--------	------	-------------	-------------	--------

LIST OF MATERIAL				
MATERIAL		THE TECHNICAL MATERIEL CORP. MAMARONECK, NEW YORK		
FINISH		TITLE OVEN SHELL ASSY		
UNLESS OTHERWISE SPECIFIED DIMENSIONS ARE IN INCHES AND INCLUDE CHEMICALLY APPLIED OR PLATED FINISHES		DRAWN <i>J. Gabel</i>	DATE 9-16-64	FINAL APPROVAL <i>[Signature]</i>
DECIMALS .X ± .05 .XX ± .01 .XXX ± .005		CHECKED <i>J. Gabel</i>	DATE 9-16	
FRACTIONS ± 1/64 ANGLES ± 0° 30'		ELECTRICAL <i>[Signature]</i>	DATE	
TOLERANCES		MECH. DES.	DATE	
		SHEET		REV. LTR.

1	TIS-3	A0113
Q'TY./UNIT	MODEL USED ON	ASS'Y. NO.
SCALE	CODE	

NOTES

THE CONTENTS OF THIS DRAWING ARE THE EXCLUSIVE PROPERTY OF THE TECHNICAL MATERIEL CORP. ITS UNAUTHORIZED USE OR REPRODUCTION IN WHOLE OR IN PART IS STRICTLY FORBIDDEN.