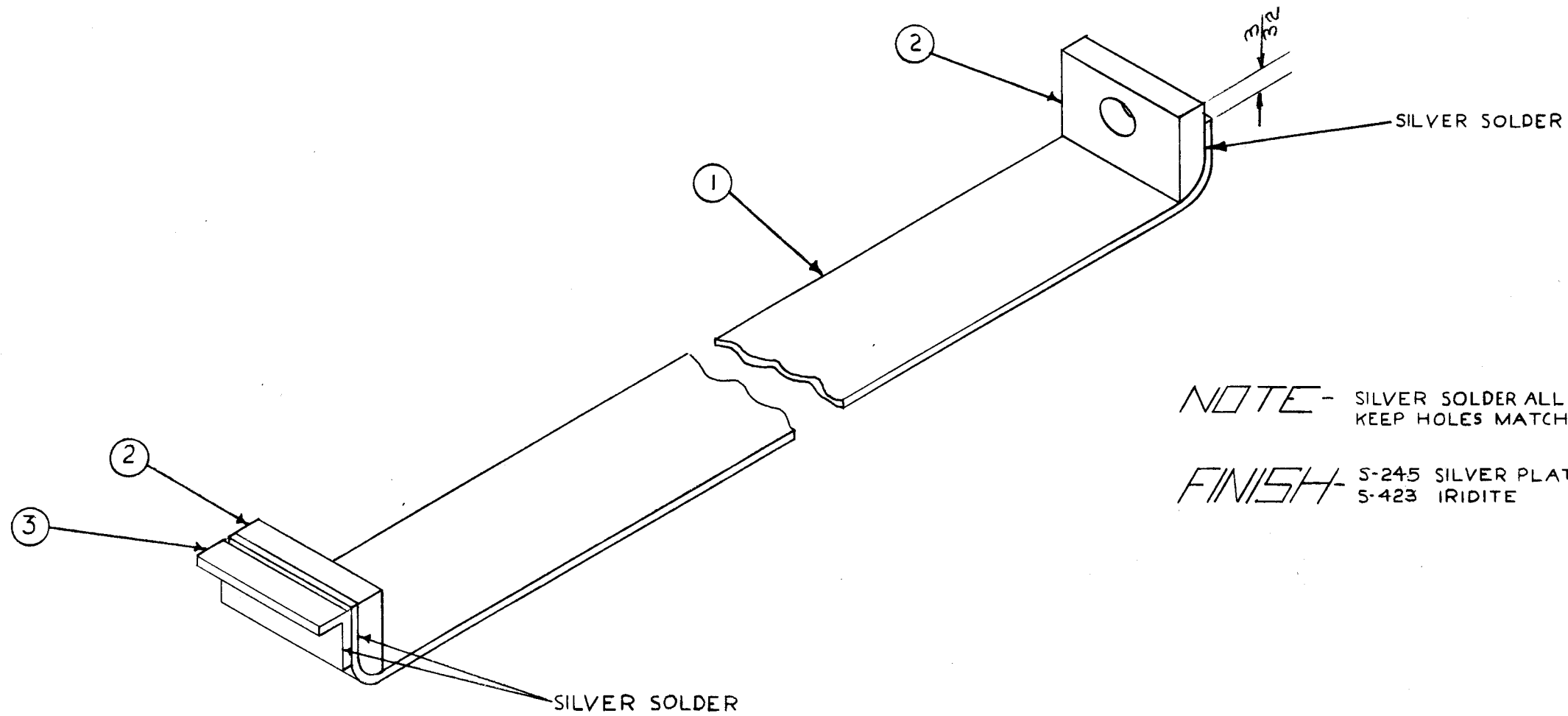


A-2176



NOTE - SILVER SOLDER ALL ITEMS AS SHOWN
KEEP HOLES MATCHED.

FINISH - S-245 SILVER PLATE .0005
S-423 IRIDITE

X	4	BS-101	SOLDER, SILVER	
1	3	MS-1029	GUARD, STRAP	
2	2	PM-434	END PLATE, STRAP, SMALL	
1	1	MS-1030	STRAP, RESISTOR	
REQ.	ITEM	PART NO.	DESCRIPTION	SYMBOL
			THE TECHNICAL MATERIEL CORP. MAMARONECK, NEW YORK	
STOCK SIZE			RESISTOR	
MATERIAL			STRAP ASS'Y	
		LB	AB	QOZ
TYPE & TEMPER		HEAT TREAT. SPEC.	DRAWN	CHECKER
SEE NOTE			aa	me
FINISH & SPEC. NO.		ELEC. DES. APP.	MECH. DES. APP.	A-2176

SYM	DESCRIPTION	DATE	CH. NO.	DRAFTS	CHECKER	ENG. APP.
UNLESS OTHERWISE SPECIFIED: DIMENSIONS ARE IN INCHES TOLERANCES ON FRACTIONS $\pm 1/64$ DECIMALS $\pm .005$ ANGLES $\pm 1/2^\circ$		SCALE: MAXIMUM ALLOWABLE TOLERANCES HAVE BEEN DETERMINED AND ANY DEVIATIONS WILL BE CAUSE FOR REJECTION. REMOVE ALL BURRS AND SHARP EDGES				
		12	TER-25K			9-16-61
		REQ. PER UNIT	MODEL	SECTION	ASS'Y. NO.	DATE
USED ON						