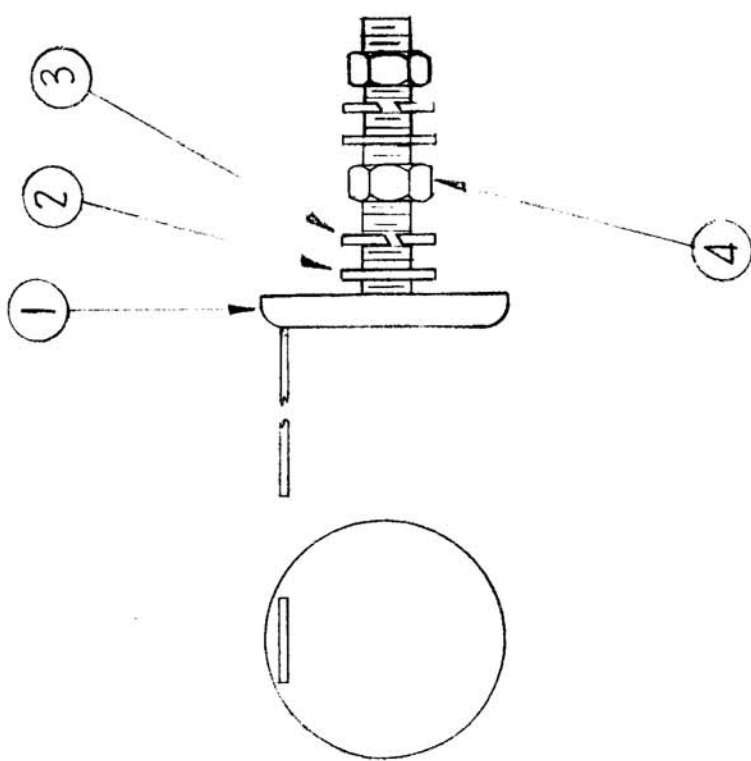


REQ. PER. UNIT	MODEL	USED ON	DATE
1	GPT-40K	AT-101	5-2-61
1	GPT-4DK	A-102	5-2-61

A-2098 A



**NOTICE TO PERSONS RECEIVING THIS DRAWING**

THE TECHNICAL MATERIEL CORPORATION claims proprietary right in the material disclosed hereon. This drawing is issued in confidence for engineering information only and may not be reproduced or used to manufacture anything shown hereon without permission from THE TECHNICAL MATERIEL CORPORATION to the user. This drawing is loaned for mutual assistance and is subject to recall at any time.

Property of:  
 THE TECHNICAL MATERIEL CORPORATION  
 MAMARONECK, NEW YORK

2	4	NTH2520BN14	HEXAGON NUT	SYMBOL
2	3	LWS25MRN	LOCKWASHER, SPLIT	
2	2	FW25HBN	WASHER, FLAT	
1	1	PM-622-2	CONTACT, SWITCH	
REQ. ITEM	PART NO.	DESCRIPTION		
		THE TECHNICAL MATERIEL CORP.		
		MAMARONECK, NEW YORK		
		AX-257 ASS'Y.		
		(CONTACT ROTARY SWITCH)		
			DRAWN	CHECKED
			RB	16
				FINAL APPROVAL
				A-2098
				A

ISSUE ITEM	CHANGED FROM	DATE	CH. NO.	DRAFTS	CHECKER	ENG. APP.
A 1	Items 2,3,4 Quan Was 1	10-31-61	5789	16	16	16
TOLERANCES						
SCALE:						
MAXIMUM ALLOWABLE TOLERANCES HAVE BEEN DETERMINED AND ANY DEVIATIONS WILL BE CAUSE FOR REJECTION. REMOVE ALL BURRS AND SHARP EDGES						
DEC. DIM. ±						
FRAC. DIM. ±						
ANGULAR DIM. ±						
FINISH & SPEC. NO.						
ELEC. DES. APP. MECH. DES. APP.						