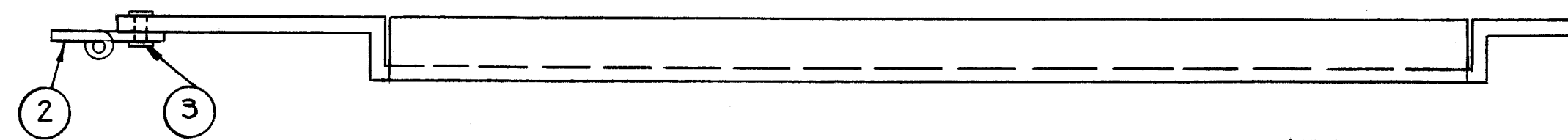
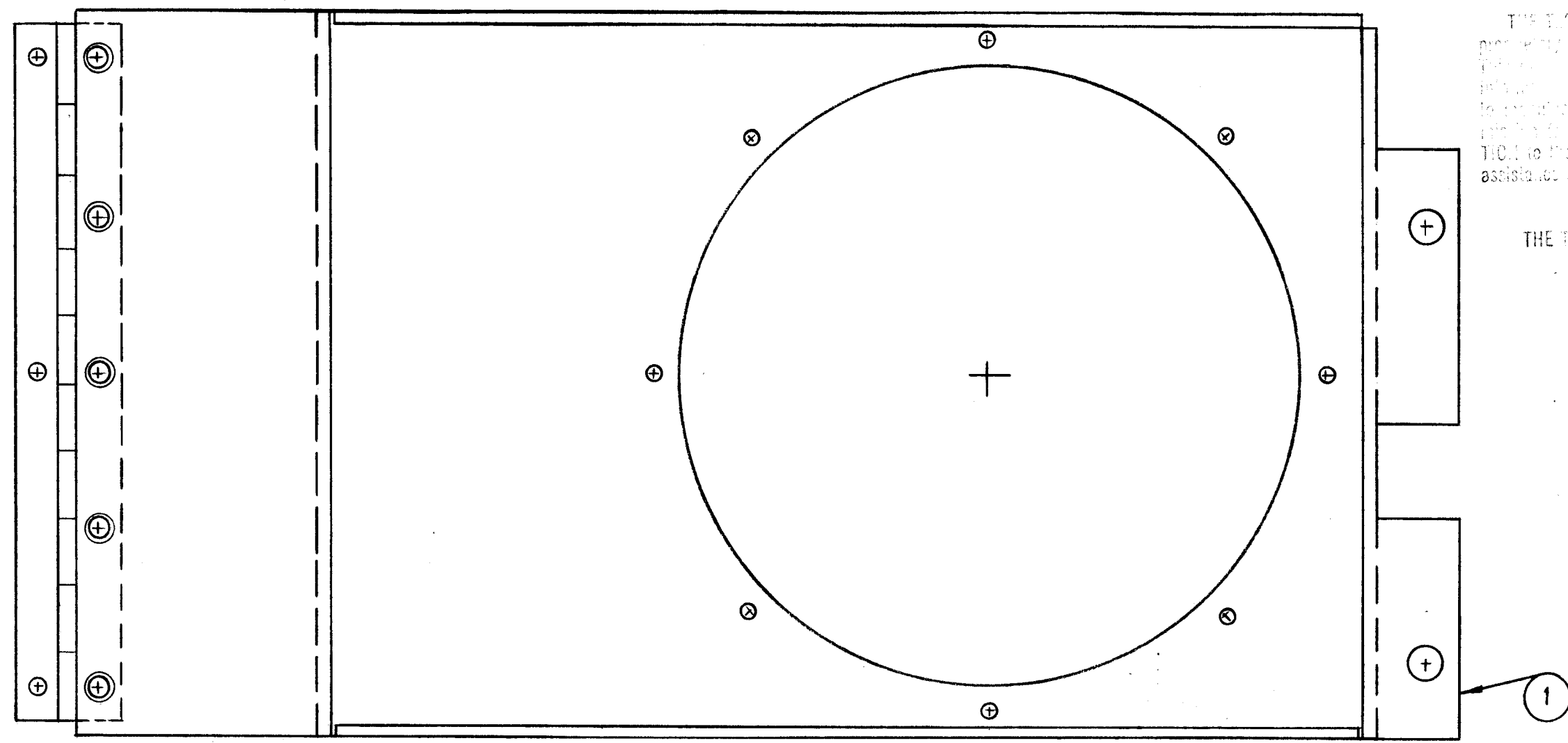


A-2089 A

NOTICE TO PERSONS RECEIVING THIS DRAWING  
 THE TECHNICAL MATERIEL CORP. does not warrant the accuracy of the information contained herein for use in the design or construction of any product or for any other purpose. The user of this drawing is advised that the user is responsible for making his own determination of the suitability of this drawing for his intended use. The user is advised that the user is responsible for making his own determination of the suitability of this drawing for his intended use. The user is advised that the user is responsible for making his own determination of the suitability of this drawing for his intended use.



(LD-552) →

REQ. ITEM	PART NO.	DESCRIPTION	SYMBOL
5	3	EY-100-2	EYELET
1	2	HI-107	HINGE
1	1	MS-1613	FAN MOUNTING BOTTOM
STOCK SIZE		THE TECHNICAL MATERIEL CORP. MAMARONECK, NEW YORK	
MATERIAL		BOTTOM FAN MOUNTING ASSY	
TYPE & TEMPER		R.UZZO	✓
HEAT TREAT. SPEC.		✓	✓
FINISH & SPEC. NO.		ELEC. DES. APP.	MECH. DES. APP.

ISSUE ITEM	CHANGED FROM	DATE	CH. NO.	DRAFTS	CHECKER	ENG. APP.
A 1	ITEM ② REVERSED	1-11-62	6190	EL	<del>SS</del>	RS
TOLERANCES		SCALE:				
DEC. DIM. ±		MAXIMUM ALLOWABLE TOLERANCES HAVE BEEN DETERMINED AND ANY DEVIATIONS WILL BE CAUSE FOR REJECTION.				
FRAC. DIM. ±		REMOVE ALL BURRS AND SHARP EDGES				
ANGULAR DIM. ±						

REQ. PER UNIT	MODEL	PROJECT NO.	ASS'Y. NO.	DATE
1	GPT-10K	AUX.-FR.		4-12-61
USED ON				

A-2089 A