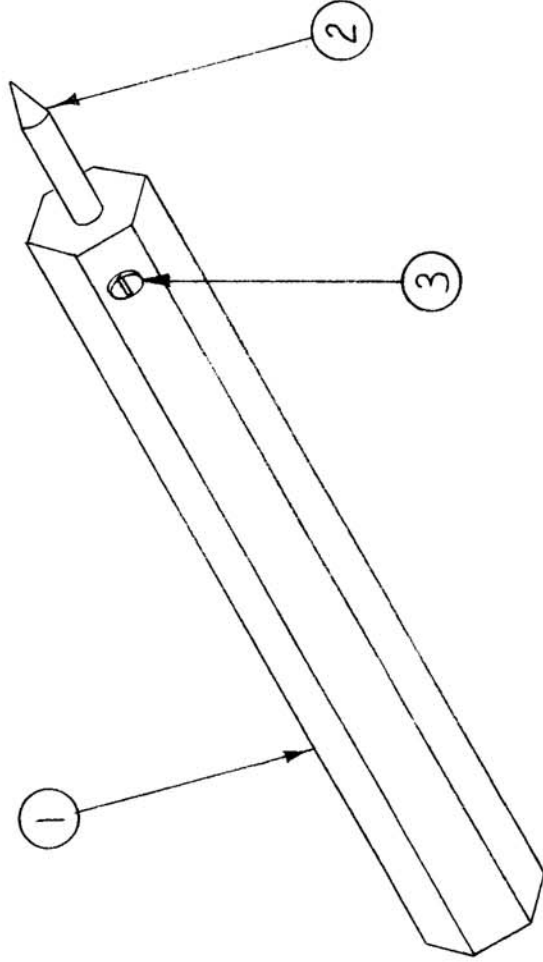


REQ. PER. UNIT	1	MODEL	ACU	USED ON	A-2001
ASSY. NO.		DATE	10-20-60		



REQ. ITEM	3	SCBS083ZBN4	SCREW, MACHINE	SYMBOL	
	1	PM-103	SPARK ROD		
	1	PM-672	SUPPORT, SPARK GAP		
			DESCRIPTION	THE TECHNICAL MATERIEL CORP.	
				MAMARONECK, NEW YORK	
				AX-237 ASS'Y	
				(SPARK GAP ASS'Y)	
				DRAWN <i>MP</i>	
				CHECKED <i>MB</i>	
				FINAL APPROVAL	
				A-2001	
				ELEC. DES. APP. MECH. DES. APP.	

ISSUE ITEM	CHANGED FROM	DATE	CH. NO.	DRAFTS	CHECKER	ENG. APP.
TOLERANCES						
DEC. DIM. ± FRAC. DIM. ± ANGULAR DIM. ±						
SCALE: MAXIMUM ALLOWABLE TOLERANCES HAVE BEEN DETERMINED AND ANY DEVIATIONS WILL BE CAUSE FOR REJECTION. REMOVE ALL BURRS AND SHARP EDGES						