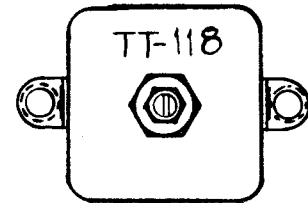
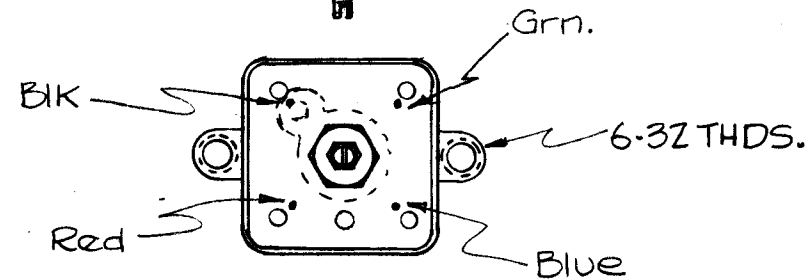
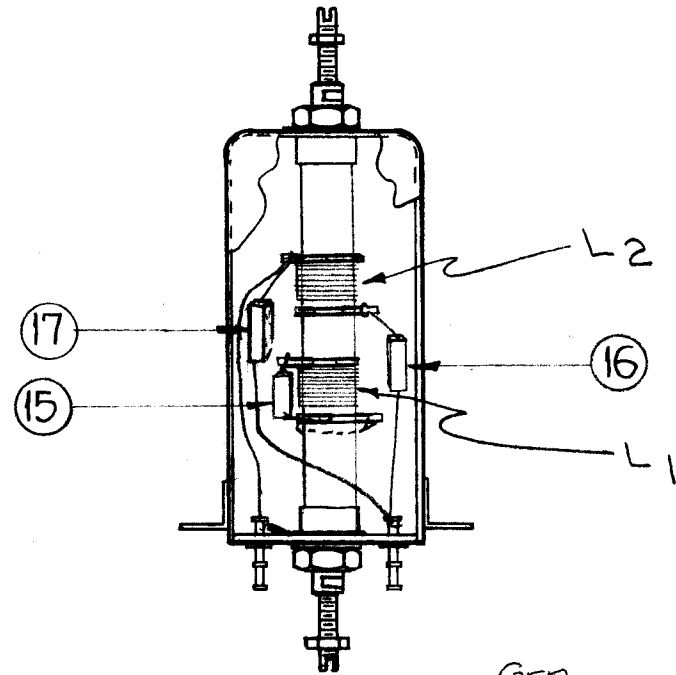


A-1995 H

STAMP CANAS SHOWN 1/8 HIGH BLACK GOTHIC. NOTE ~ STAMP TMC INSIGNIA & APPROVAL ON SIDE OF CAN.



CEMENT COIL FORM TO BUSHING WITH GL-103.



COLOR CODE FOR TERMINAL BOARD AS SHOWN.

WINDING DATA

1. Assemble Ring Terminals on form as shown and Stake With GL-104-2.
2. Wind Coils as specified; Staking and coating with GL-104-2.
3. Bake until hard for 1/2 hour at 215° F.
4. Test and assemble as shown.

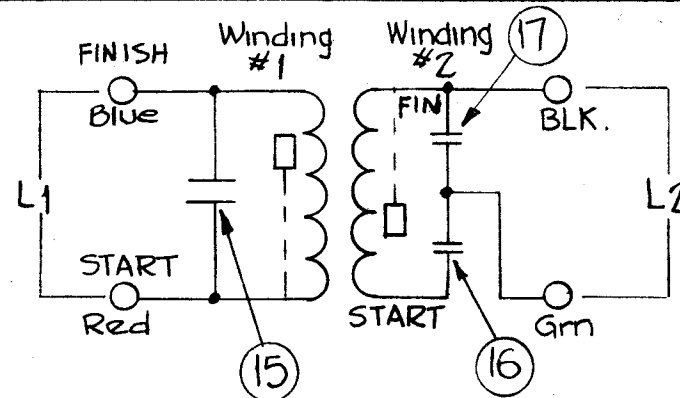
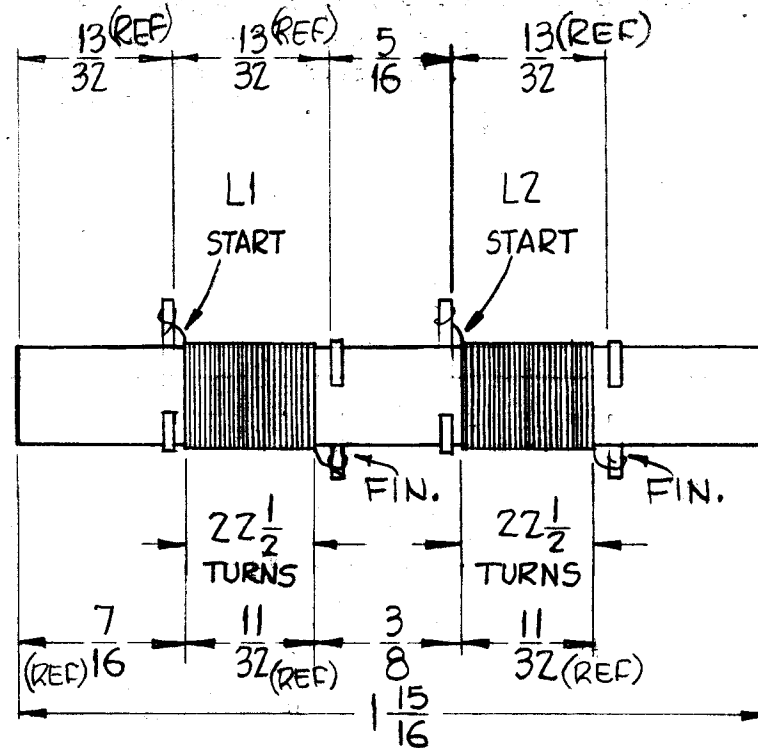
TEST DATA (W/OUT CORE)

$L_1 = L_2 = 2 \text{ uh } \pm 10\%$

$Q = 55 \text{ or Greater}$

Freq = 7.9 mcs

Use Boonton Radio Corporation Q Meter Model 160A or Equivalent.



X	22	PX-104-3-.034	Insulation, Sleeving	Red
X	21	PX-104-6-.034	Insulation, Sleeving	Blue
X	20	PX-104-4-.034	Insulation, Sleeving	Green
X	19	PX-104-2-.034	Insulation, Sleeving	Yellow
1	18	TE-104-3	Lug	
1	17	CM15F27LJO3	Capacitor, Fixed	
1	16	CM15C270JO3	Capacitor, Fixed	
1	15	CM15C240JO3	Capacitor, Fixed	
X	14	WL-100-7	Wire, Buss-Bar	
2	13	NTH0348BN6	Nut, Hex	
2	12	CI-116-5	Core Tuning	Red
X	11	BS-100	Solder, Soft	
2	10	NTH0832BN10	Nut, Hex	
2	9	LWI08MRN	Lockwasher	
4	8	TR-153-1	Terminal Ring	
X	7	GL-104-2	Insulex	
	6	DELETED		
X	5	WI-123-28	Wire, Enamelled #28	
2	4	SM-140-2	Bushing, Coil Mounting	
1	3	CF-122-1.93	Coil Form 1/4 O.D.	
1	2	PX-586-1	Terminal Board	
1	1	A-1950-1	Can Assembly	

REQ. ITEM	PART NO.	DESCRIPTION	SYMBOL
THE TECHNICAL MATERIEL CORP. MAMARONECK, NEW YORK			
STOCK SIZE			
TT-118 TRANSFORMER ASS'Y 18MC Transformer plate GAUG			
MATERIAL			
TYPE & TEMPER	HEAT TREAT. SPEC.	DRAWN	CHECKER
		FINAL APPROVAL	
FINISH & SPEC. NO.		ELEC. DES. APP.	MECH. DES. APP.

SYM	DESCRIPTION	DATE	CH. NO.	DRAFTS	CHECKER	ENG. APP.
H	B/U UPDATED; "REF" ADD TO DIM	1-16-67	17673	WHD	QJZ	QJZ

UNLESS OTHERWISE SPECIFIED:
 DIMENSIONS ARE IN INCHES
 TOLERANCES ON FRACTIONS ± 1/64 DECIMALS ± .005 ANGLES ± 1/2°

SCALE:
 MAXIMUM ALLOWABLE TOLERANCES HAVE BEEN DETERMINED AND ANY DEVIATIONS WILL BE CAUSE FOR REJECTION.
 REMOVE ALL BURRS AND SHARP EDGES

REQ. PER UNIT	CHG	I.F.	10-14-60
MODEL	SECTION	ASS'Y. NO.	DATE
USED ON			