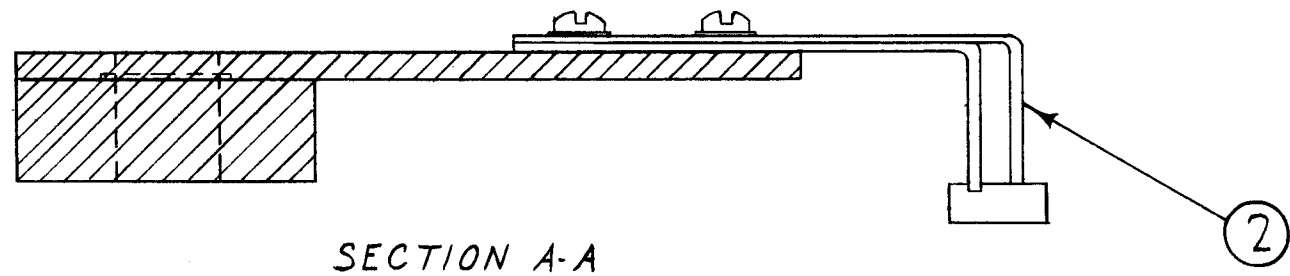
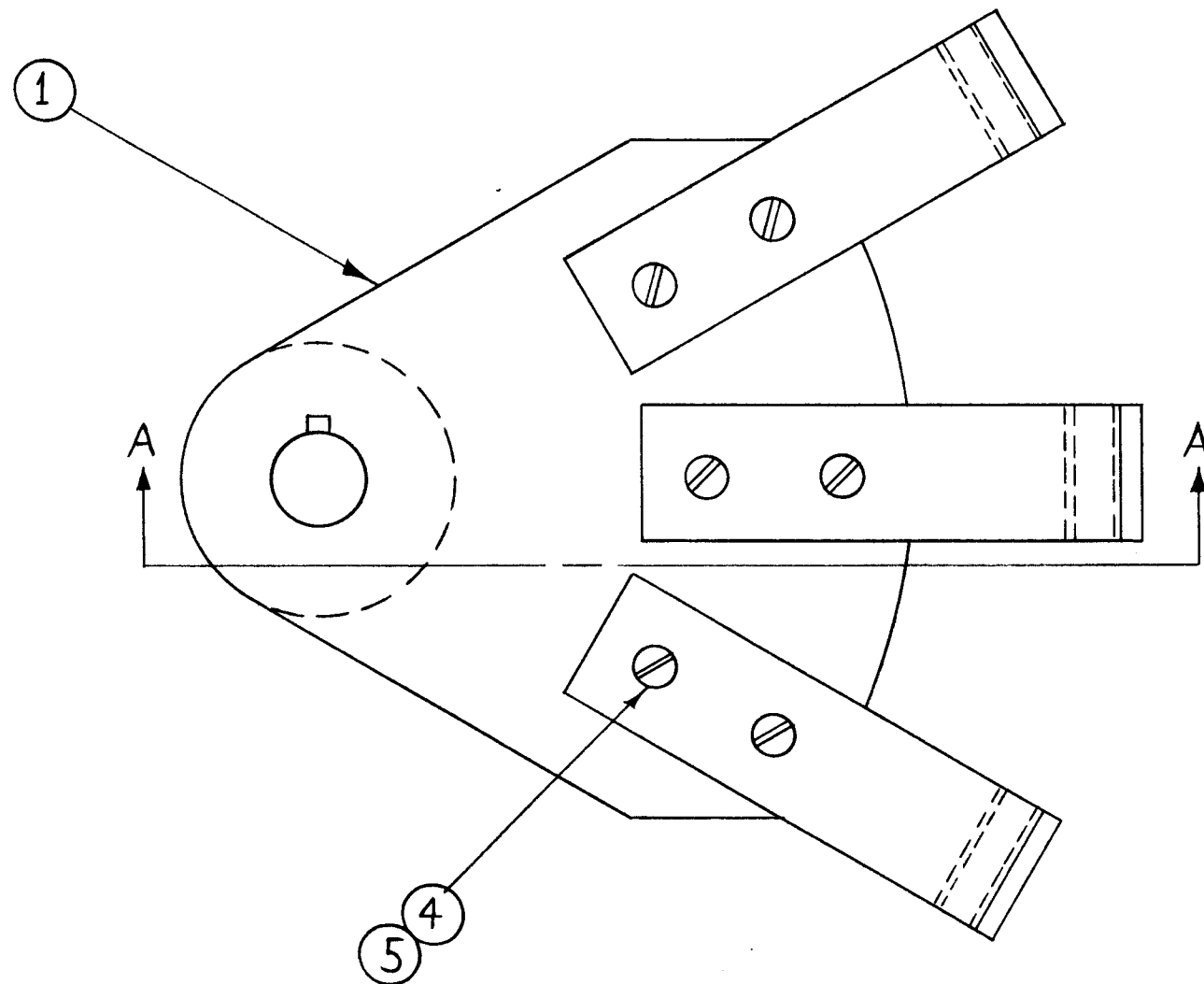


A-1976



6	5	LWE08MBN	LOCKWASHER, EXTERNAL	
6	4	SCBS0832BN5	SCREW, MACHINE	
	3	DELETED		
3	2	AX-234	SHOE CONTACT ASS'Y.	
1	1	PM-666	ROTOR UNBAL. BANDSWITCH.	

REQ.	ITEM	PART NO.	DESCRIPTION	SYMBOL						
			THE TECHNICAL MATERIEL CORP. MAMARONECK, NEW YORK							
			AR-129 ASS'Y. (ROTOR ASS'Y, UNBAL. BAND)							
			<table border="1"> <tr> <td>DRAWN</td> <td>CHECKER</td> <td>FINAL APPROVAL</td> </tr> <tr> <td><i>MF</i></td> <td><i>JD</i></td> <td><i>DB</i></td> </tr> </table>	DRAWN	CHECKER	FINAL APPROVAL	<i>MF</i>	<i>JD</i>	<i>DB</i>	
DRAWN	CHECKER	FINAL APPROVAL								
<i>MF</i>	<i>JD</i>	<i>DB</i>								
			A-1976							

SYM	DESCRIPTION	DATE	CH. NO.	DRAFTS	CHECKER	ENG. APP.

UNLESS OTHERWISE SPECIFIED:
 DIMENSIONS ARE IN INCHES
 TOLERANCES ON FRACTIONS ± 1/64 DECIMALS ± .005 ANGLES ± 1/2°

SCALE: *H*
 MAXIMUM ALLOWABLE TOLERANCES HAVE BEEN DETERMINED AND ANY DEVIATIONS WILL BE CAUSE FOR REJECTION.
 REMOVE ALL BURRS AND SHARP EDGES

1	ACU			10-20-60
REQ. PER UNIT	MODEL	SECTION	ASS'Y. NO.	DATE

USED ON