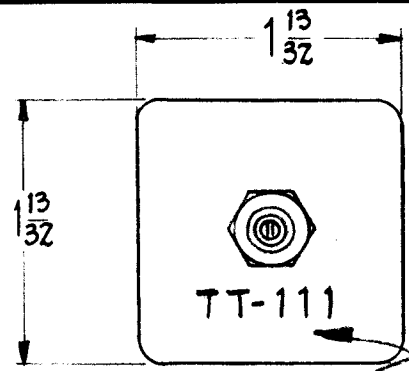
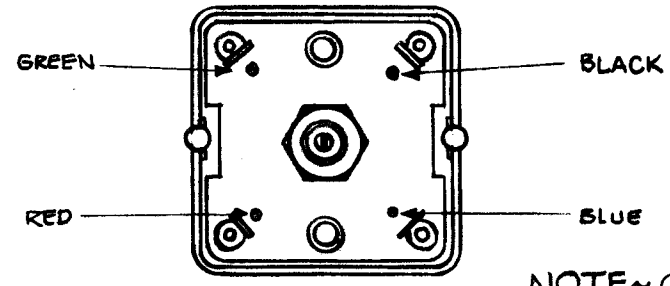
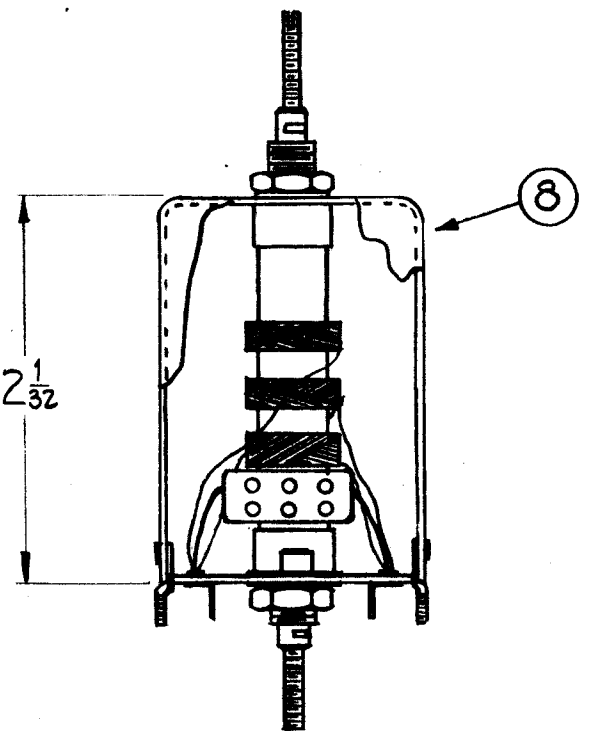


A-1913 A



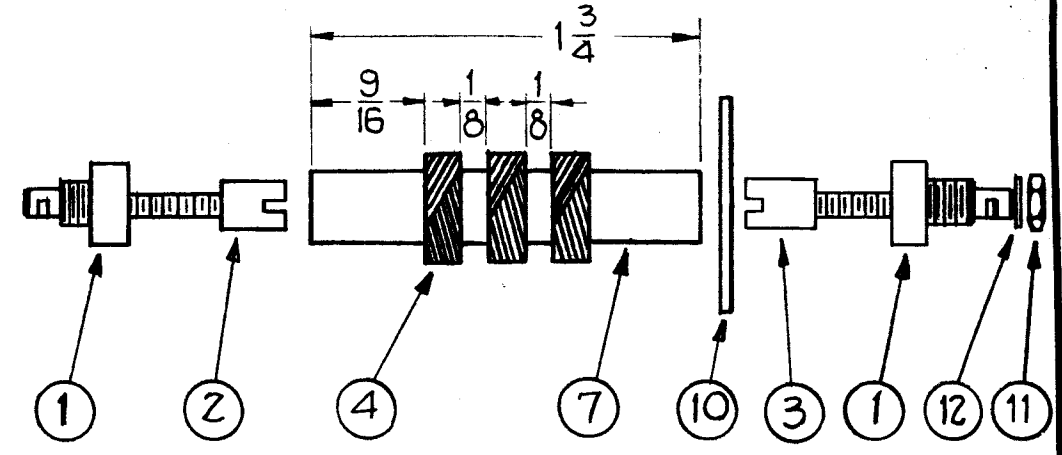
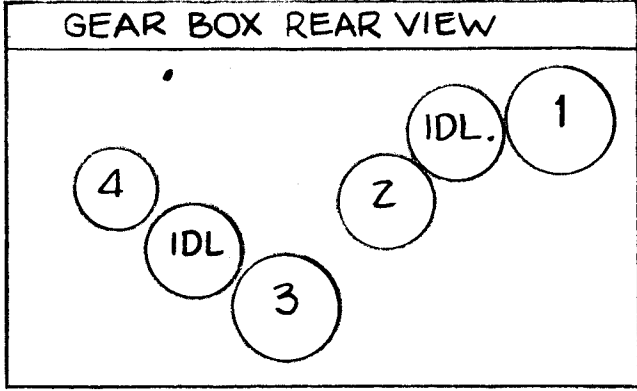
STAMP TMC
PART NO. AS SHOWN
BLACK GOTHIC



NOTE ~ COLOR
CODE AS SHOWN

WINDING MACHINE DATA

- 1. 63
- 2. 66
- CAM. .156



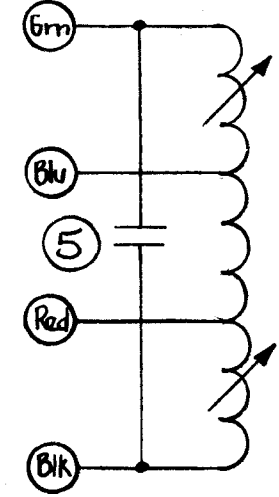
WINDING DATA

1. START WINDING 9/16 FROM END OF COIL FORM, AS SHOWN.
2. END WINDING AT 50 TURNS.
3. TAP FIRST PI.
4. WIND SECOND PI, 50 TURNS, 1/8 FROM END OF FIRST PI.
5. TAP SECOND PI.
6. WIND THIRD PI, 50 TURNS, 1/8 FROM END OF SECOND PI.
7. CHECK AS PER TEST DATA.
8. ASSEMBLE ITEMS 1, 2, & 3 TO ITEM 7.
9. BAKE ASSY FOR ONE HOUR AT 215° F.
10. IMMEDIATELY APPLY GL-102 (ITEM 9).
11. ASSEMBLE ITEM 10 TO ITEM 7.
12. CONNECT LEADS AS PER SCHEMATIC.

TEST DATA (w/d CORE)

TURNS	PI'S	IND. μ h	FREQ.	Q	RES.
PRI. 150 (50T. Per PI)	3	105-115	790	>45	5.0

FINISH



SCHEMATIC

START

REQ. ITEM	PART NO.	DESCRIPTION	SYMBOL
2	12	SP-102	SPRING LOCK
2	11	NT-102	NUT, HEX
1	10	A-1004	TERMINAL BOARD
X	9	GL-102	Q. MAX
1	8	A-1033-1	CAN
1	7	CF-100	FORM
X	6	GL-103	CEMENT
1	5	CMZ0511G	CAPACITOR, MICA
X	4	WI-107-15	WIRE, MAGNET #34 DSC
1	3	CI-109-16	CORE
1	2	CI-109-4	CORE
2	1	SM-110	BUSHING

ISSUE	ITEM	CHANGED FROM	DATE	CH. NO.	DRAFTS	CHECKER	ENG. APP.
A	1	EXTENSIVE CHANGES SEE EMN #10667	2/4/64	10667	A.M	T.R.	<i>[Signature]</i>

TOLERANCES: DEC. DIM. ±, FRAC. DIM. ±, ANGULAR DIM. ±

SCALE: MAXIMUM ALLOWABLE TOLERANCES HAVE BEEN DETERMINED AND ANY DEVIATIONS WILL BE CAUSE FOR REJECTION. REMOVE ALL BURRS AND SHARP EDGES

REQ. PER UNIT	MODEL	PROJECT NO.	ASSY. NO.	DATE
1	DVM-2			6-7-60

USED ON

TYPE & TEMPER	HEAT TREAT. SPEC.	DRAWN	CHECKED	FINAL APPROVAL
		<i>[Signature]</i>	<i>[Signature]</i>	<i>[Signature]</i>

THE TECHNICAL MATERIEL CORP.
MAMARONECK, NEW YORK

TT-111 ASSEMBLY
600 KC OSC. TRANS.

FINISH & SPEC. NO. ELEC. DES. APP. MECH. DES. APP.

A-1913 A