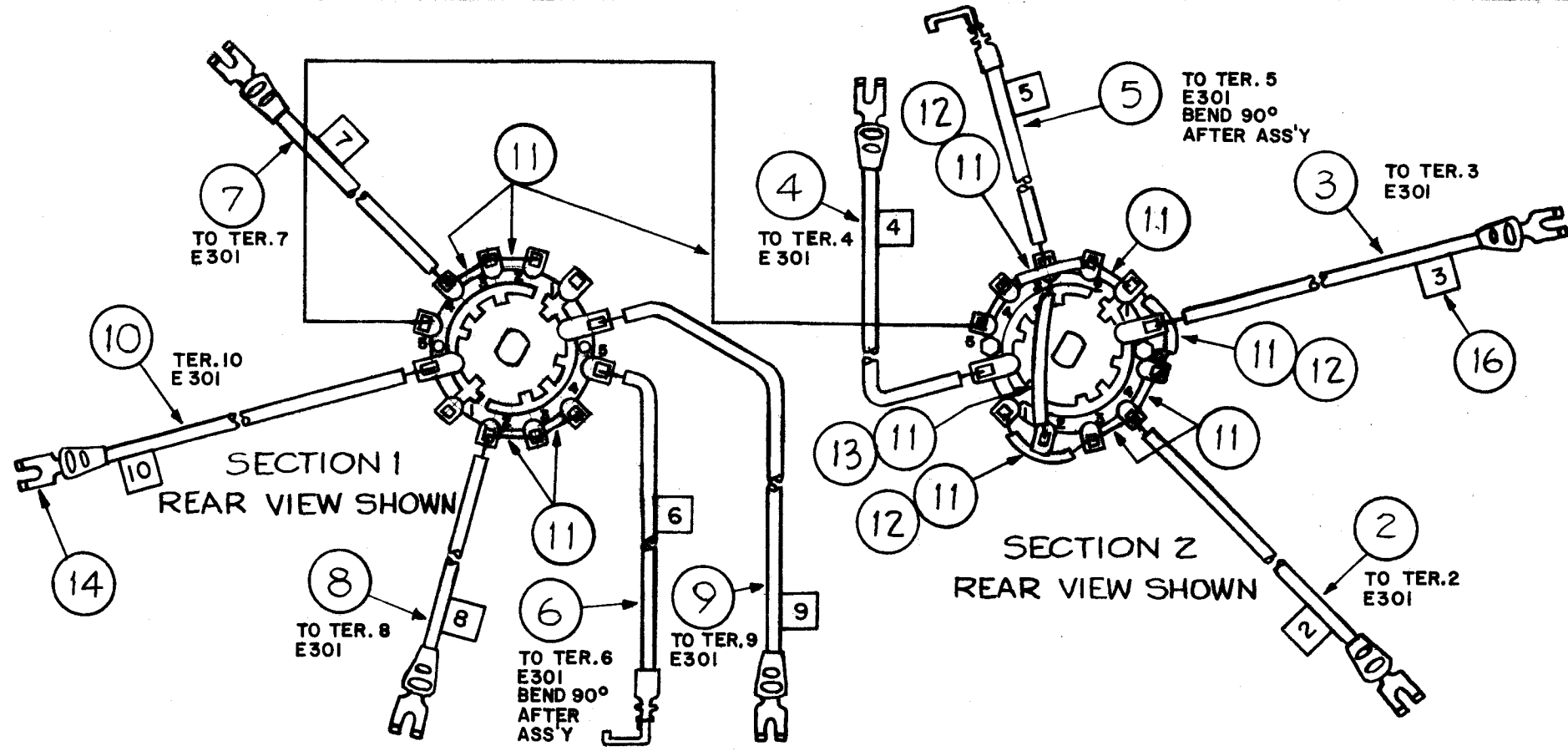
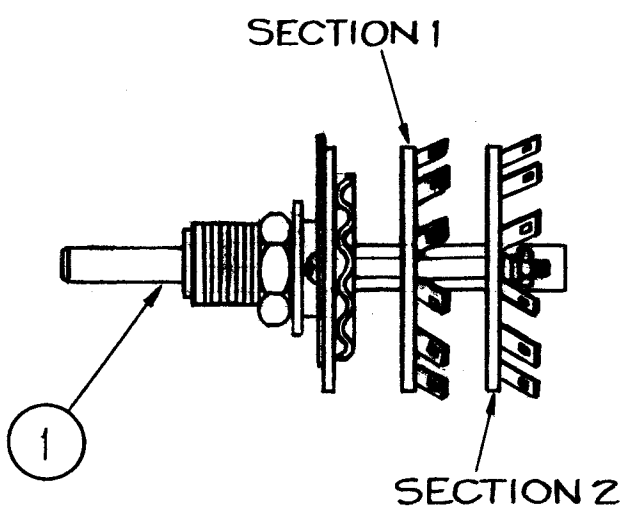
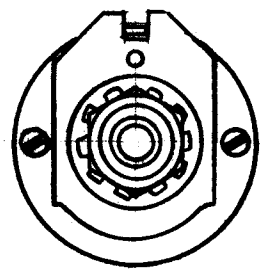


A-1786



NOTE ~ SWITCH SHOWN IN POSITION 1.

X	16	LA 101	WIRE, MARKER (NO's 2THRU 10)	
X	15	BS 100	SOLDER, SOFT	
9	14	TE-120-2	LUG, SPADE	
X	13	PX100-3-022	INSULATION, SLEEVING	Orange
X	12	PX-100-1-022	INSULATION, SLEEVING	Black
X	11	WL100-8	WIRE, BUSS	
3 1/4	10	MWCZZ(7)U8	CABLE, INSULATED	Grey
6'	9		7	Violet
3 1/2	8		6	Blue
3"	7		5	Green
3 5/8	6		4	Yellow
2 3/8	5		3	Orange
4 3/8	4		2	Red
2 1/2	3		1	Brown
3 1/4	2	MWCZZ(7)UO	CABLE, INSULATED	Black
	1	SW 265	SWITCH, ROTARY, 5 POSITION	

REQ. ITEM	PART NO.	DESCRIPTION	SYMBOL
THE TECHNICAL MATERIEL CORP. MAMARONECK, NEW YORK			
AS-115 ASS'Y (MODE SWITCH)			
J.C. Biele		DRAWN	CHECKED
TYPE & TEMPER		HEAT TREAT. SPEC.	FINAL APPROVAL
FINISH & SPEC. NO.		ELEC. DES. APP.	MECH. DES. APP.

ISSUE	ITEM	CHANGED FROM	DATE	CH. NO.	DRAFTS	CHECKER	ENG. APP.
TOLERANCES							
SCALE:							
DEC. DIM. ±							
FRAC. DIM. ±							
ANGULAR DIM. ±							
MAXIMUM ALLOWABLE TOLERANCES HAVE BEEN DETERMINED AND ANY DEVIATIONS WILL BE CAUSE FOR REJECTION. REMOVE ALL BURRS AND SHARP EDGES							

1	MCP-2	PROJECT NO.	ASS'Y. NO.	DATE
REQ. PER UNIT	MODEL	PROJECT NO.	ASS'Y. NO.	DATE
USED ON				