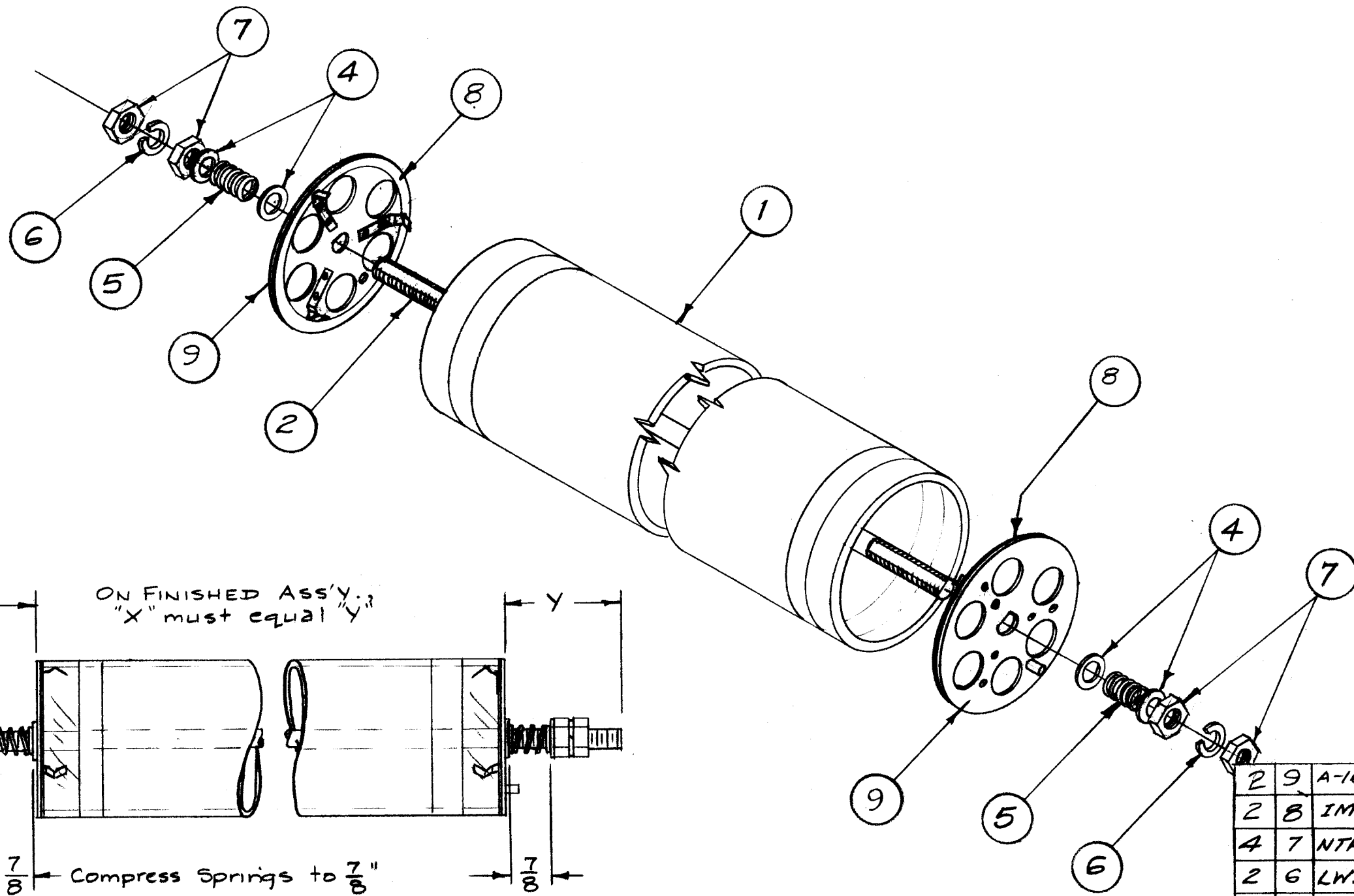


A-1632 A

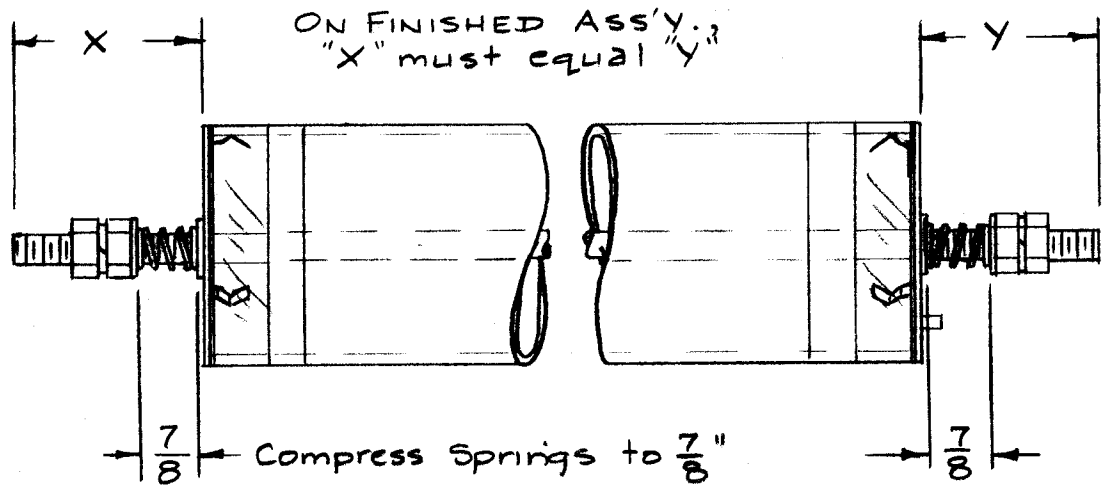


**NOTICE TO PERSONS RECEIVING THIS DRAWING**

THE TECHNICAL MATERIEL CORPORATION claims proprietary right in the material disclosed hereon. This drawing is issued in confidence for engineering information only and may not be reproduced or used to manufacture anything shown hereon without permission from THE TECHNICAL MATERIEL CORPORATION to the user. This drawing is loaned for mutual assistance and is subject to recall at any time.

Property of:

THE TECHNICAL MATERIEL CORPORATION  
MAMARONECK, NEW YORK



REQ. ITEM	PART NO.	DESCRIPTION	SYMBOL
2	9	A-1631-2	Cap Plate Ass'y
2	8	IM-172-2	Insulation, Resistor
4	7	NTH5013BN24	Nut, Hex,
2	6	LW550MRN	Lockwasher, Split, 7/8 D.
2	5	SP-133	Spring, Compression, 1" Lg.
4	4	FW50LBN	Washer, Flat, 7/8 MAX. D.
1	2	PM-511-1	Rod, Center Conductor
1	1	RR-120-140	Resistor, Fixed, 3000 Watts

ISSUE	ITEM	CHANGED FROM	DATE	CH. NO.	DRAFTS	CHECKER	ENG. APP.
A		ITEM 3 A1631-1 DEL. QTY. ITEM 9 WAS ONE	3-25-75	21227	GD.L	Ch	Ch

2	TER-5000-70			1-29-62
2	TER-5000-50		BA-1587	2-1-59
REQ. PER UNIT	MODEL	PROJECT NO.	ASS'Y. NO.	DATE
USED ON				

STOCK SIZE		THE TECHNICAL MATERIEL CORP. MAMARONECK, NEW YORK	
MATERIAL		RESISTOR & CAP ASS'Y.	
TYPE & TEMPER	HEAT TREAT. SPEC.	DRAWN	CHECKED
		SG.	SG.
FINISH & SPEC. NO.		ELEC. DES. APP.	MECH. DES. APP.
		A-1632	A