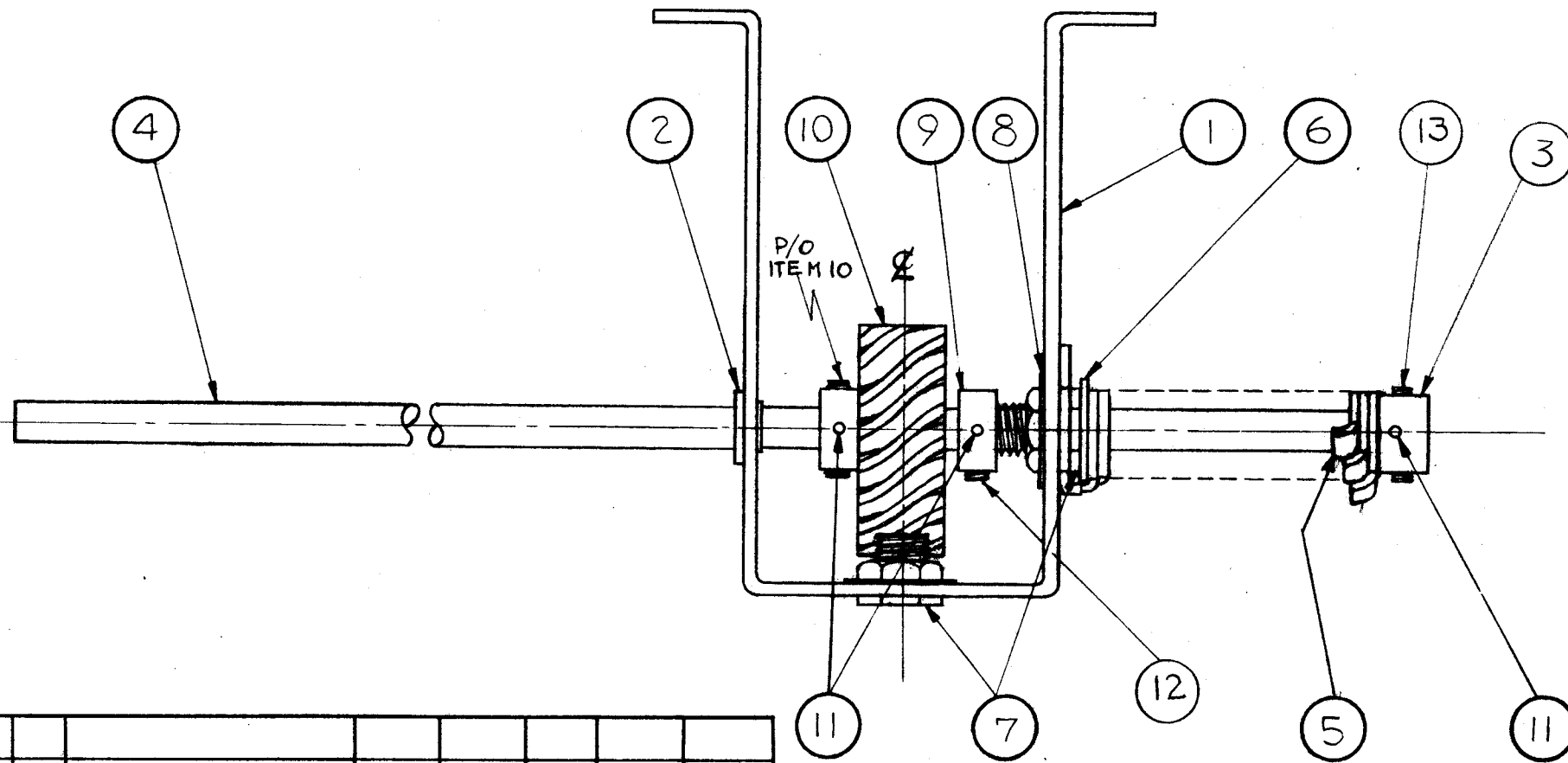


A-1602

NOTICE TO PERSONS RECEIVING THIS DRAWING

THE TECHNICAL MATERIEL CORPORATION claims proprietary right in the material disclosed hereon. This drawing is issued in confidence for engineering information only and may not be reproduced or used to manufacture anything shown hereon without permission from THE TECHNICAL MATERIEL CORPORATION to the user. This drawing is loaned for mutual assistance and is subject to recall at any time.

Property of:
THE TECHNICAL MATERIEL CORPORATION
MAMARONECK, NEW YORK



2	13	SLHC0632SP2	SETSCREW, 6-32 X 1/8 LG.
1	12	SLHC0440SP2	SETSCREW, 4-40 X 1/8 LG.
3	11	PN-79-062-8	PIN, ROLL
1	10	GR-138	GEAR, HELICAL
1	9	PM-414	COLLAR, HELICAL GEAR SHAFT
2	8	LWI 37 LRN	LOCK WASHER, INTERNAL
2	7	BB-101	BEARING, PANEL
1	6	FW25 HSN	WASHER, FLAT
25	5	PM-515	WASHER, LOCK
1	4	PM-517	SHAFT, HELICAL GEAR
1	3	PM-519	LOCK, COLLAR
1	2	BB-117-6	PANEL BEARING, NYLON
1	1	MS-1476	HOUSING, RIGHT ANGLE DRIVE

REQ. ITEM	PART NO.	DESCRIPTION	SYMBOL
THE TECHNICAL MATERIEL CORP.			
MAMARONECK, NEW YORK			
STOCK SIZE			
HOUSING, ASSEMBLY, RIGHT ANGLE DRIVE			
MATERIAL			
		J.C. BIELE	<i>[Signature]</i>
TYPE & TEMPER		HEATTREAT. SPEC.	DRAWN
			CHECKED
			FINAL APPROVAL
			A-1602 B
FINISH & SPEC. NO.		ELEC. DES. APP	MECH. DES. APP

ISSUE	ITEM	CHANGED FROM	DATE	CH. NO.	DRAFTS	CHECKER	ENG. APP.
B		IT 12 WAS AN565D4H2 IT 13 WAS AN565D6H2	11.18.66	17269	4TW	<i>[Signature]</i>	<i>[Signature]</i>
A	2	ITEM 12, 13 ADDED	6-26-61	5145	D.L.G	RU	<i>[Signature]</i>
A	1	ITEM 11 WAS PN-109-2					

TOLERANCES		SCALE:	
DEC. DIM. ±		MAXIMUM ALLOWABLE TOLERANCES HAVE BEEN DETERMINED AND ANY DEVIATIONS WILL BE CAUSE FOR REJECTION. REMOVE ALL BURRS AND SHARP EDGES	
FRAC. DIM. ±			
ANGULAR DIM. ±			

RTF - 2	POW. / AMP.	1 - 21 - 59
REQ. PER UNIT	MODEL	PROJECT NO.
		ASSY. NO.
		DATE
USED ON		