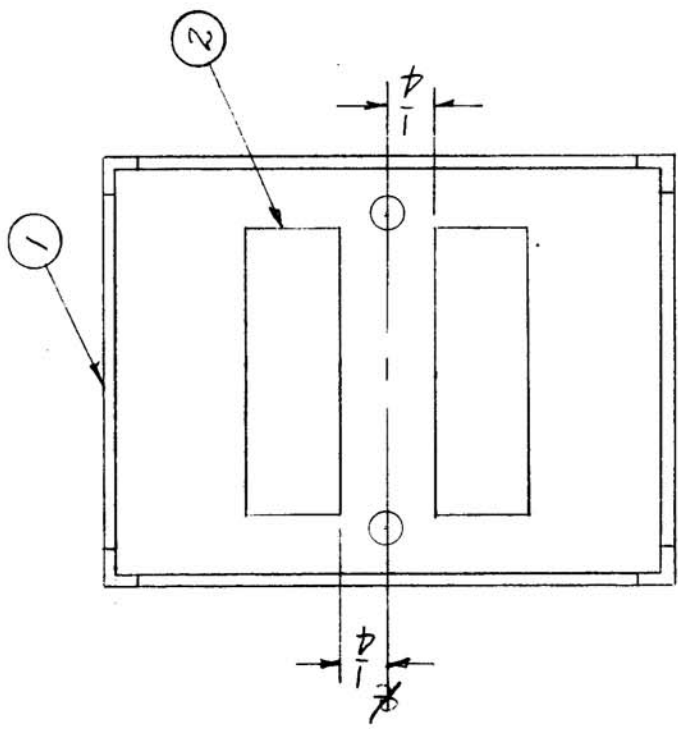


REQ. PER UNIT	USED ON	DATE
1	ASSY. NO.	
1	MODEL	DATE
	S-39A	6-8-59
	ATSMCU2	
	ASSY. NO.	
	MOD KIT	

A-1583



2	RY-121-8-3-1.5	STRIP, SPONGE RUBBER	SYMBOL
1	MS-1336	TOP HAT, RELAY CLAMP	
		THE TECHNICAL MATERIEL CORP.	
		MAMARONECK. NEW YORK	
		TOP HAT ASSEY.	
		PROTECTIVE CIRCUIT KIT S-39A	
		9/11/59	
		AWD	
		CHECKED	
		DRAWN	
		TYPE & TEMPER	
		HEAT TREAT. SPEC.	
		MATERIAL	
		STOCK SIZE	
		FINISH & SPEC. NO.	
		ELEC. DES. APP.	
		MECH. DES. APP.	
		FINAL APPROVAL	
			A-1583

ISSUE ITEM	CHANGED FROM	DATE	CH. NO.	DRAFTS	CHECKER	ENG. APP.
TOLERANCES						
SCALE: <i>etc</i>						
MAXIMUM ALLOWABLE TOLERANCES HAVE BEEN DETERMINED AND ANY DEVIATIONS WILL BE CAUSE FOR REJECTION. REMOVE ALL BURRS AND SHARP EDGES						
DEC. DIM. ±						
FRAC. DIM. ±	$\frac{1}{64}$					
ANGULAR DIM. ±						